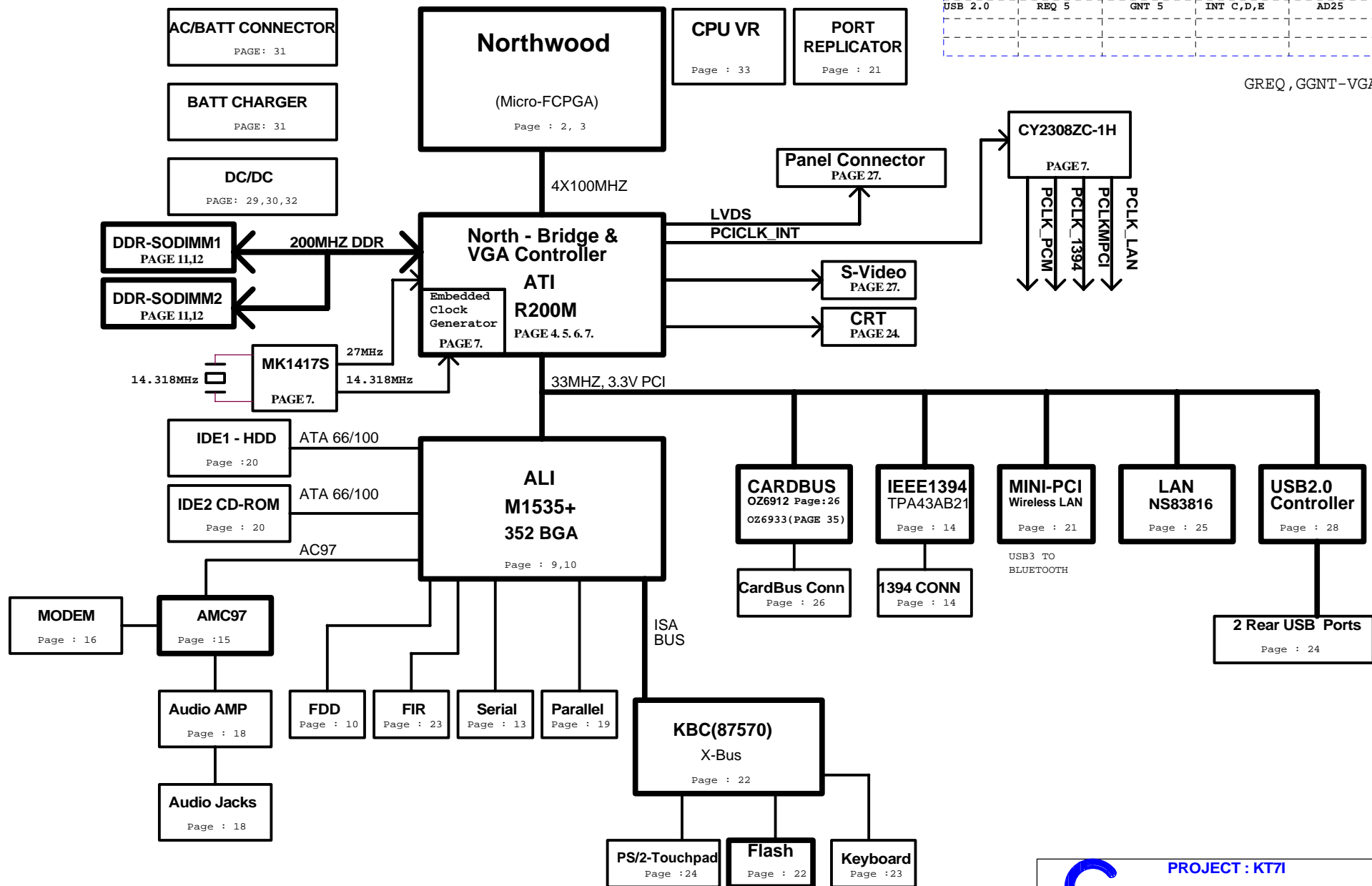
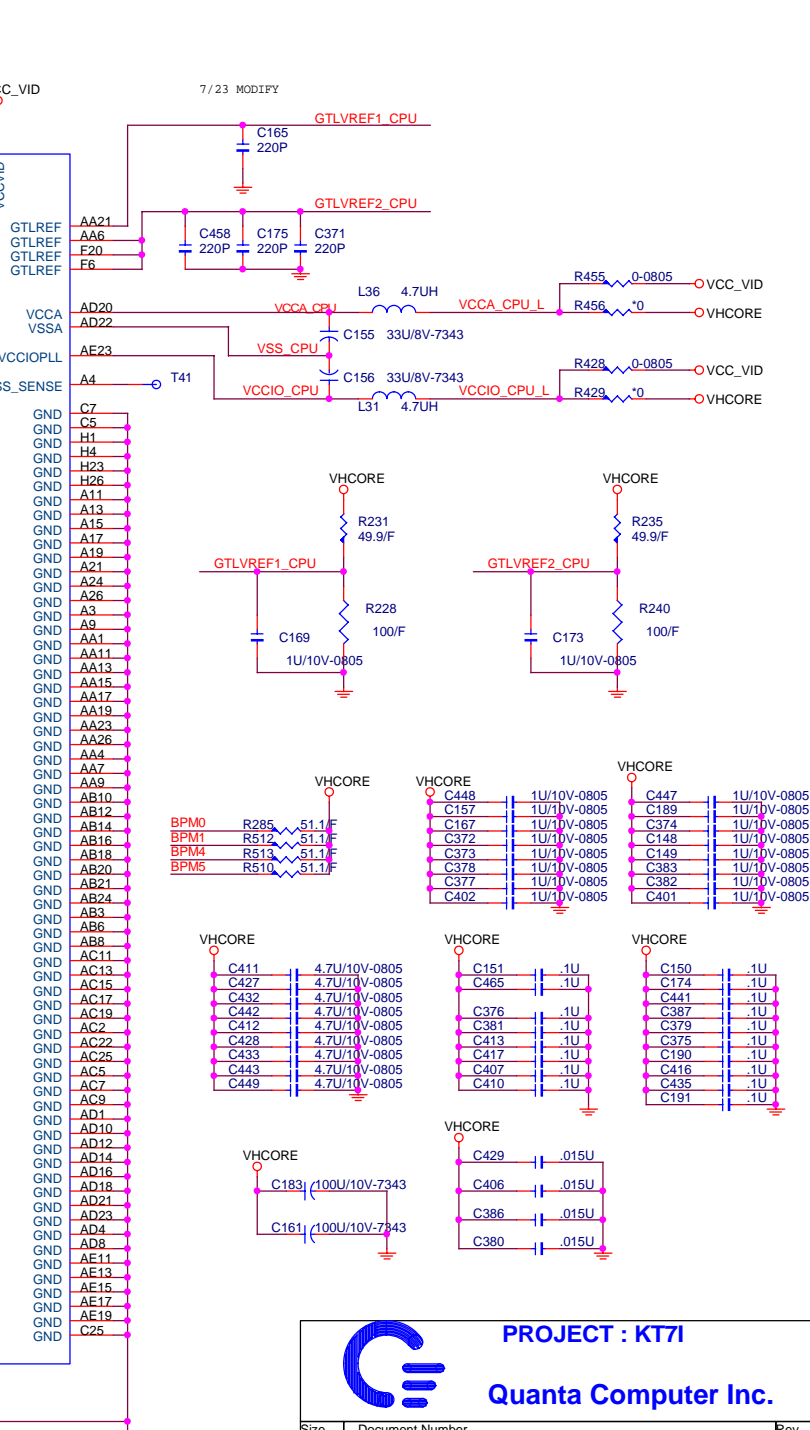
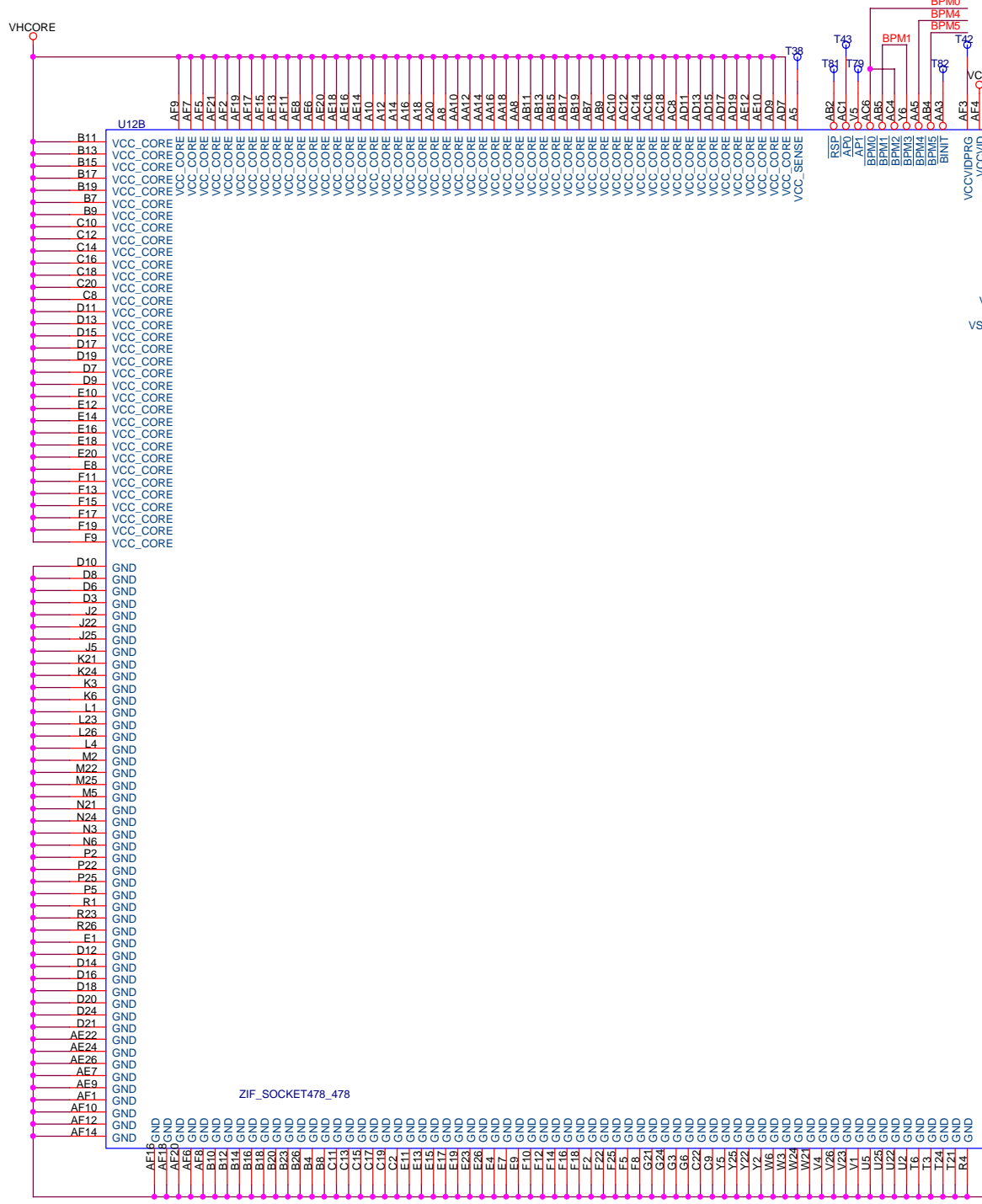


KT7I 0411
31KT7MB0067

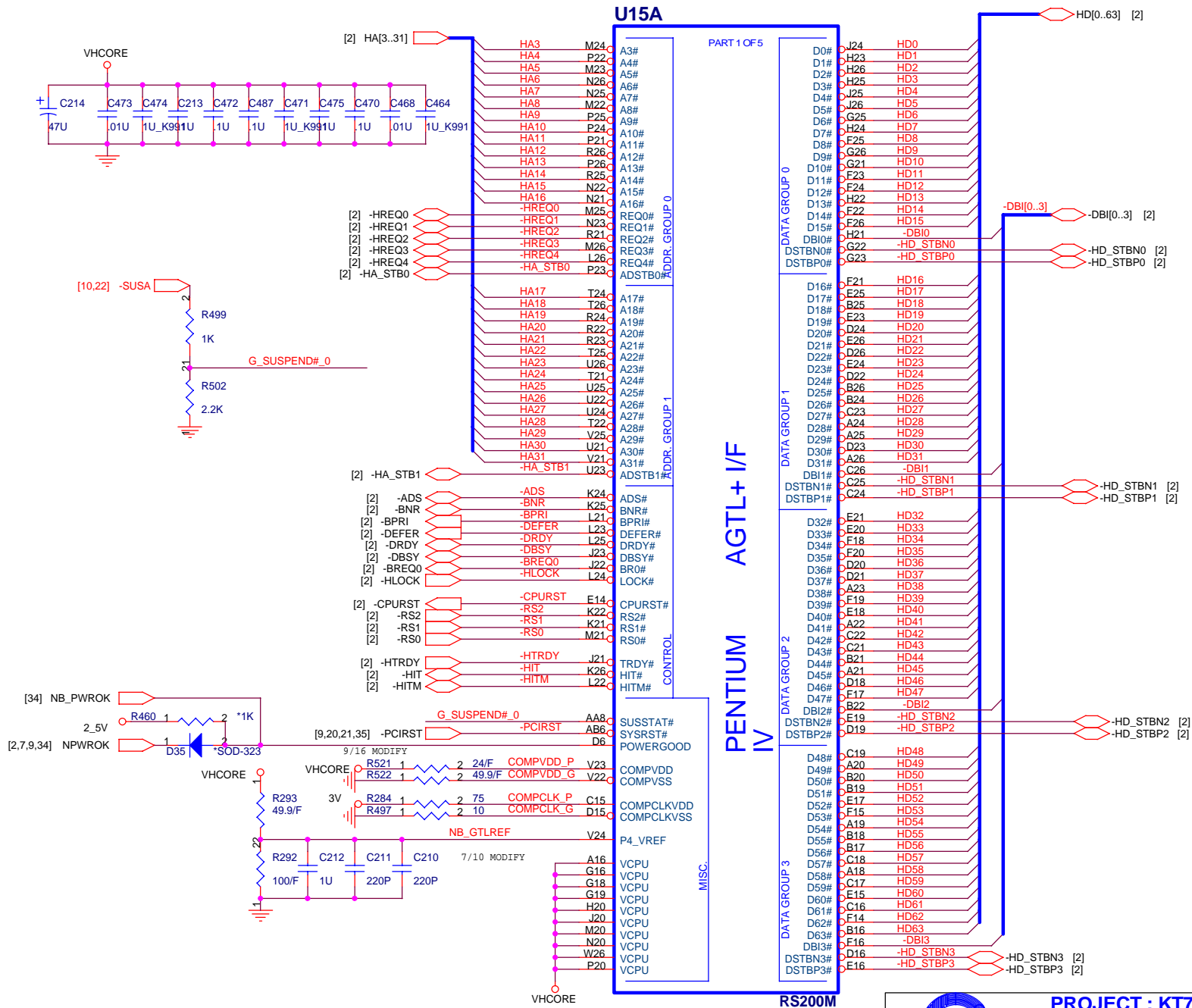
MINI PCI	REQ 0	GNT 0	INT C,D	AD20
PCI HUB	REQ 1	GNT 1		
LAN	REQ 2	GNT 2	INT B	AD29
1394	REQ 3	GNT 3	INT F	AD23
PCMCIA6912	REQ 4	GNT 4	INT F	AD21
PCMCIA6933	REQ 4	GNT 4	INT F	AD21
USB 2.0	REQ 5	GNT 5	INT C,D,E	AD25

GREQ, GGNT-VGA





PROJECT : KT71
Quanta Computer Inc.

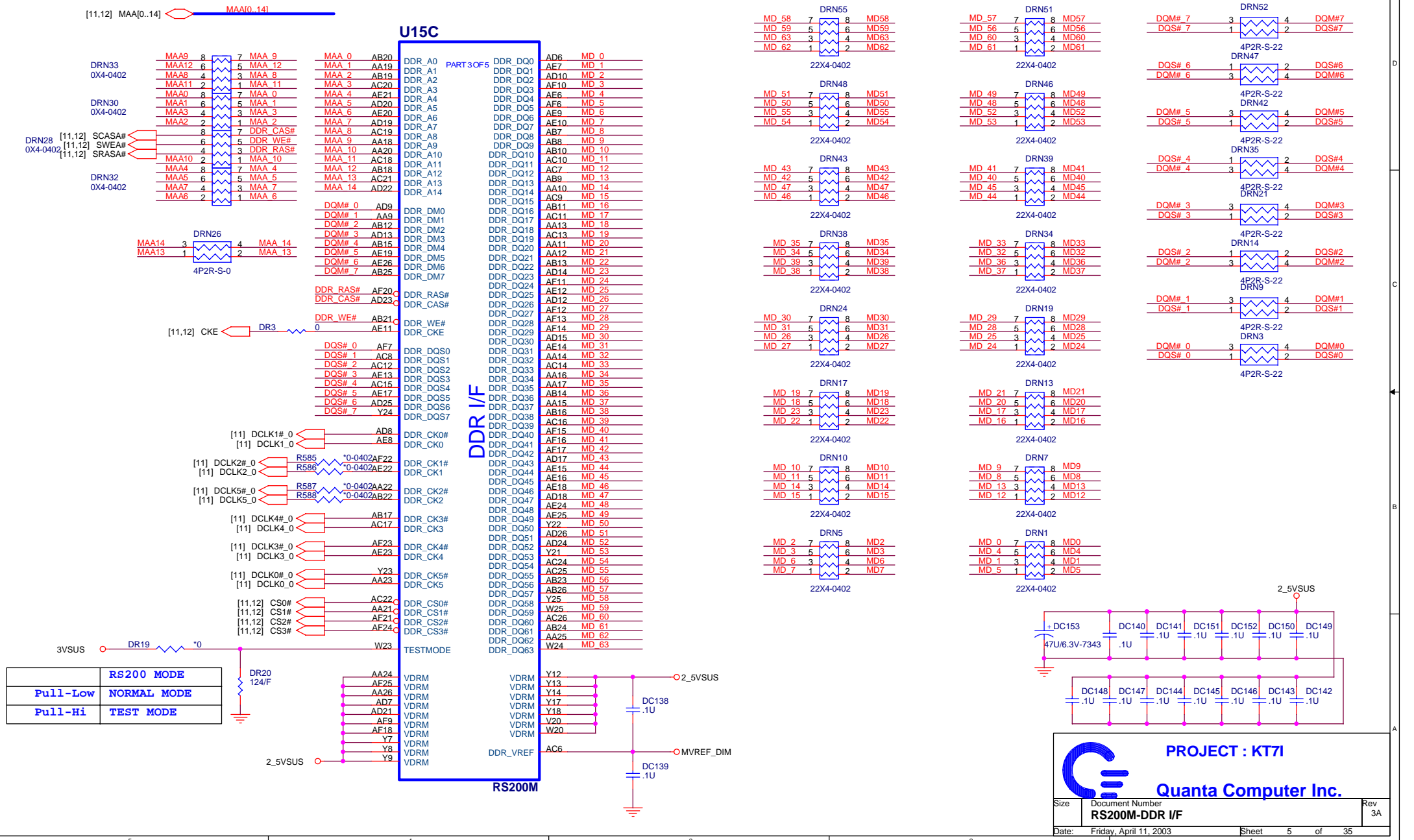


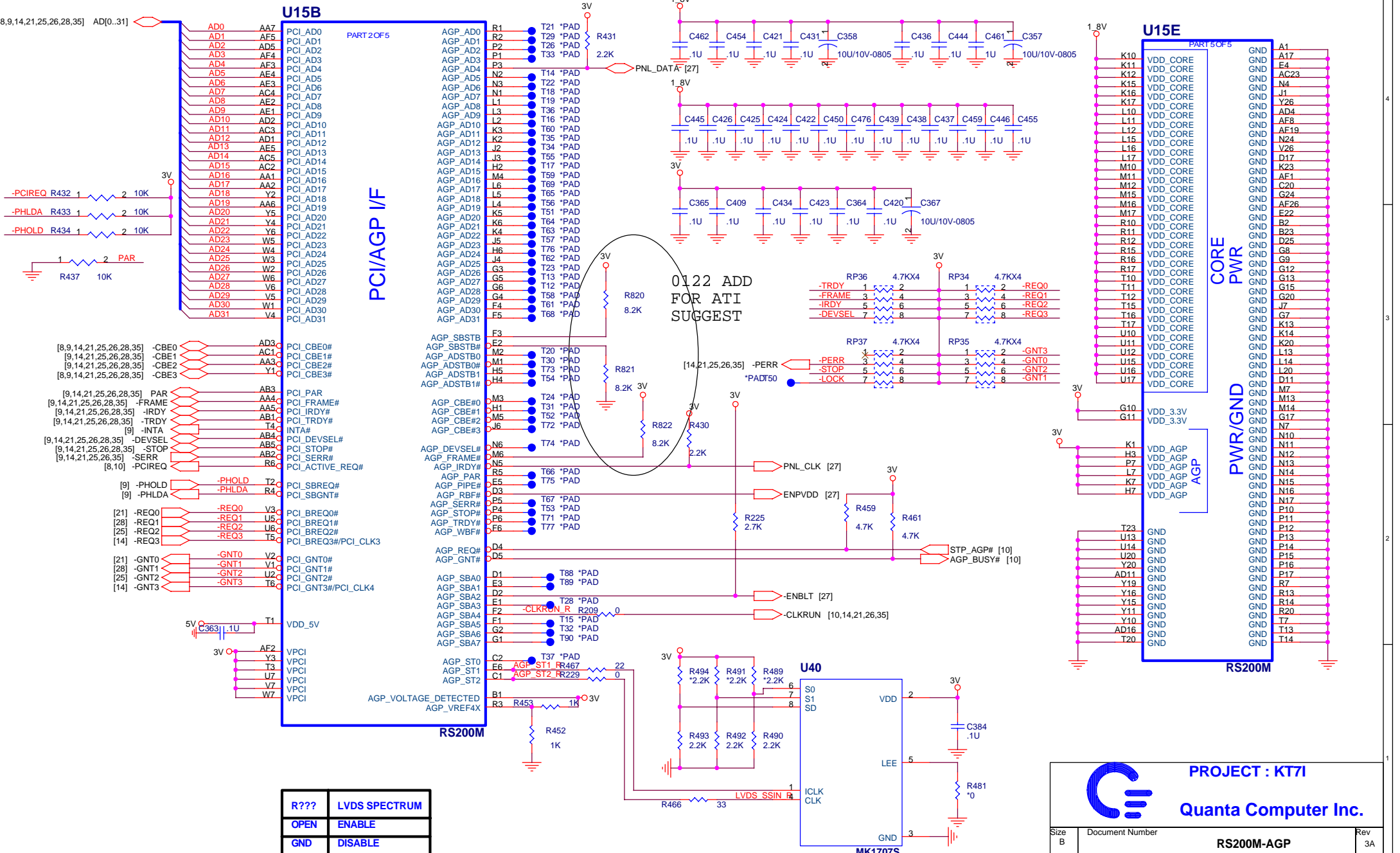
PROJECT : KT71

Quanta Computer Inc.

Size	Document Number	Rev
Custom	RS200M-HOST	3A
Date:	Friday, April 11, 2003	Sheet 4 of 35

ATI_RS200M - 2 (DDR Interface)

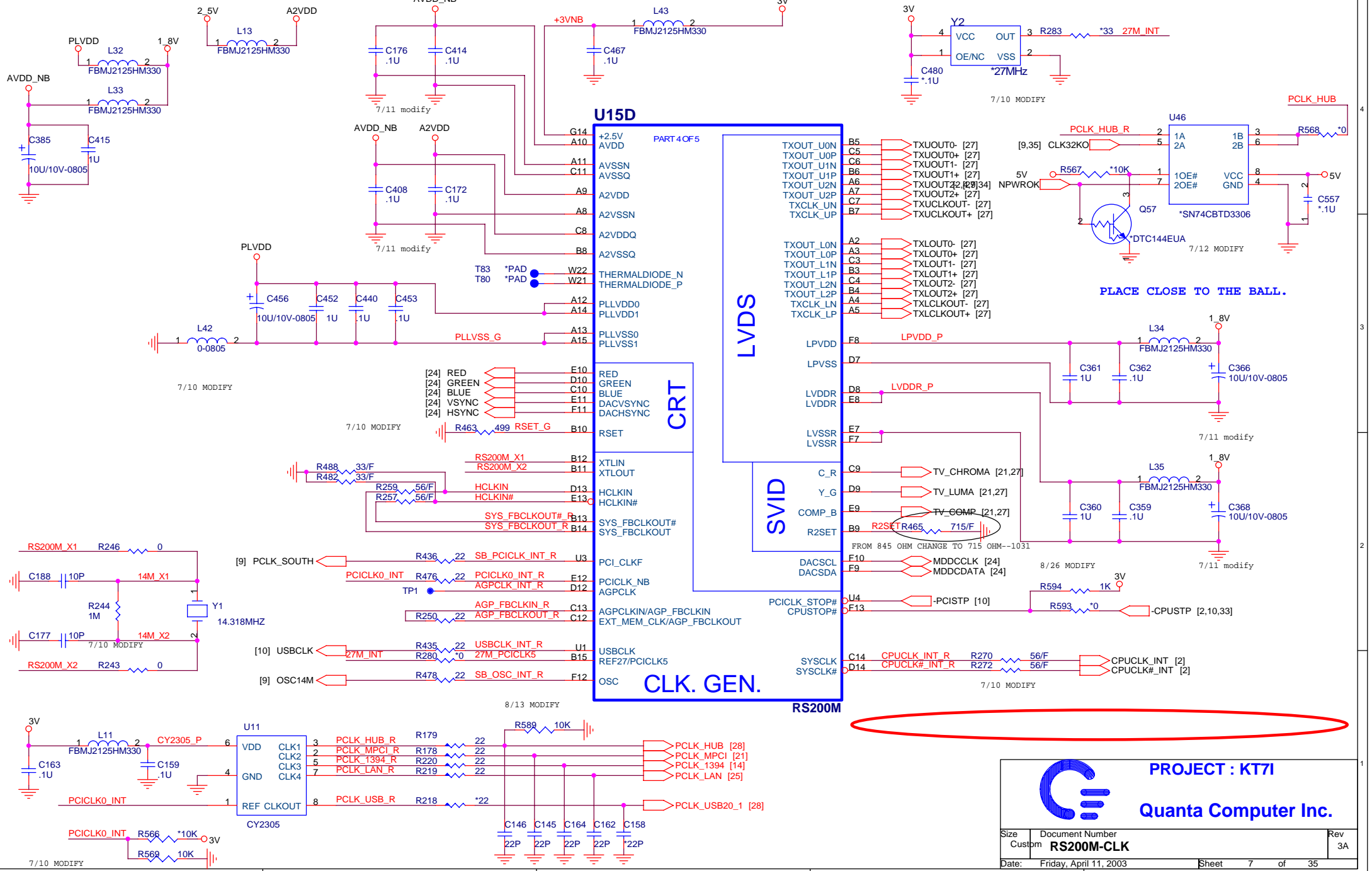





PROJECT : KT71

Quanta Computer Inc.

Size B	Document Number	Rev 3A
RS200M-AGP		
Date: Friday, April 11, 2003	Sheet 6 of 35	

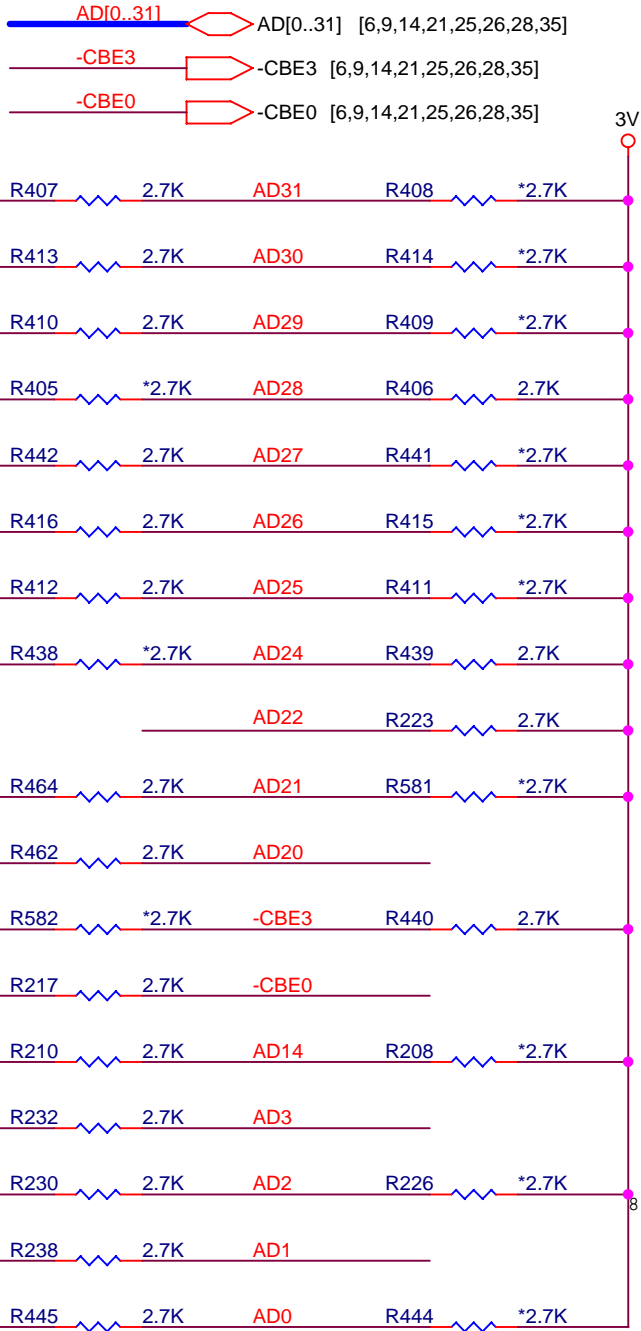




PROJECT : KT7I
Quanta Computer Inc.

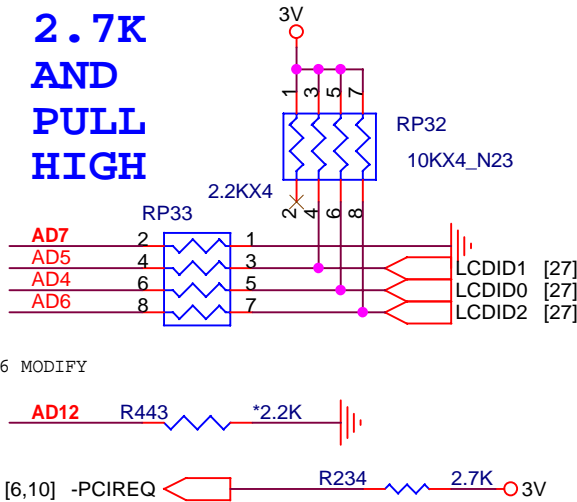
Size	Document Number	Rev
Custom	RS200M-CLK	3A
Date:	Friday, April 11, 2003	Sheet 7 of 35

SYSTEM CONFIG. & N.B H/W STRAPPING



AD[30..31] : CLK SPEED DEFAULT: 00	00: 100 MHZ 01: 133 MHZ 10: 166MHZ 11: 66 MHZ	AD15 : RESERVED
AD29: RS200M FULL CONFIGURATION DEFAULT:1	0: FULL CONFIGURATION 1: USES DEFAULT VALUES	AD14 : AGTL+ VDDQ DEFAULT: 0 0: 1.2V MOBILE PART 1: 1.7V DESKTOP PART
AD28: SPREAD SPECTRUM ENABLE DEFAULT:0	0: DISABLE 1: ENABLE	AD13: RESERVED
AD27: MCERR OBSERVATION DEFAULT: 1	0: DISABLE 1: ENABLE	AD[12] : FLAT PANEL ID MSB
AD26: QUICK START SELECT DEFAULT : 1	0: DISABLE 1: ENABLE	AD10 : RESERVED
AD25: INIT OBSERVATION DEFAULT : 1	0: DISABLE 1: ENABLE	AD09 : RESERVED
AD24: IOQ ENABLE DEFAULT : 1	0: DISABLE 1: ENABLE	AD[7..4] : FLAT PANEL ID
AD23 : RESERVED		AD3: PCI66 MODE DEFAULT: 0 0: 33MHz 1: 66MHz
AD22: 27MHz/33 MHz CLOCK SELECTION DEFAULT : 1	0: 33 MHz CLOCK OUTPUT 1: 27 MHz CLOCK INPUT	AD2: CAL DEFAULTS FOR CPU DEFAULT: 1 (FOR BRING UP) 0: DISABLE 1: ENABLE
AD21 : RESERVED	0: PLL Bypass mode disable(Normal mode) 1: PLL Bypass mode enable(Debug only)	AD1: FrcShortReset DEFAULT: 0 0: DISABLE 1: ENABLE
AD20 : PCICLK EXPANSION DEFAULT : 0	1: PCI_REQ#3, PCI_GNT#3 USED AS PCICLK 0: PCI_REQ#3, PCI_GNT#3 USED AS REQ/GNT	AD0: PCI/AGP CONFIG. DEFAULT : 1 1: 66 MHz 0: 33 MHz
CBE#3: PROD TEST DEFAULT : 1	0: SHORT TIMERS 1: NORMAL OPERATION	PCI_PREQACT#: INTERNAL CLOCK GEN. DEFAULT : 1 0: DISABLE 1: ENABLE

**2.7K
AND
PULL
HIGH**

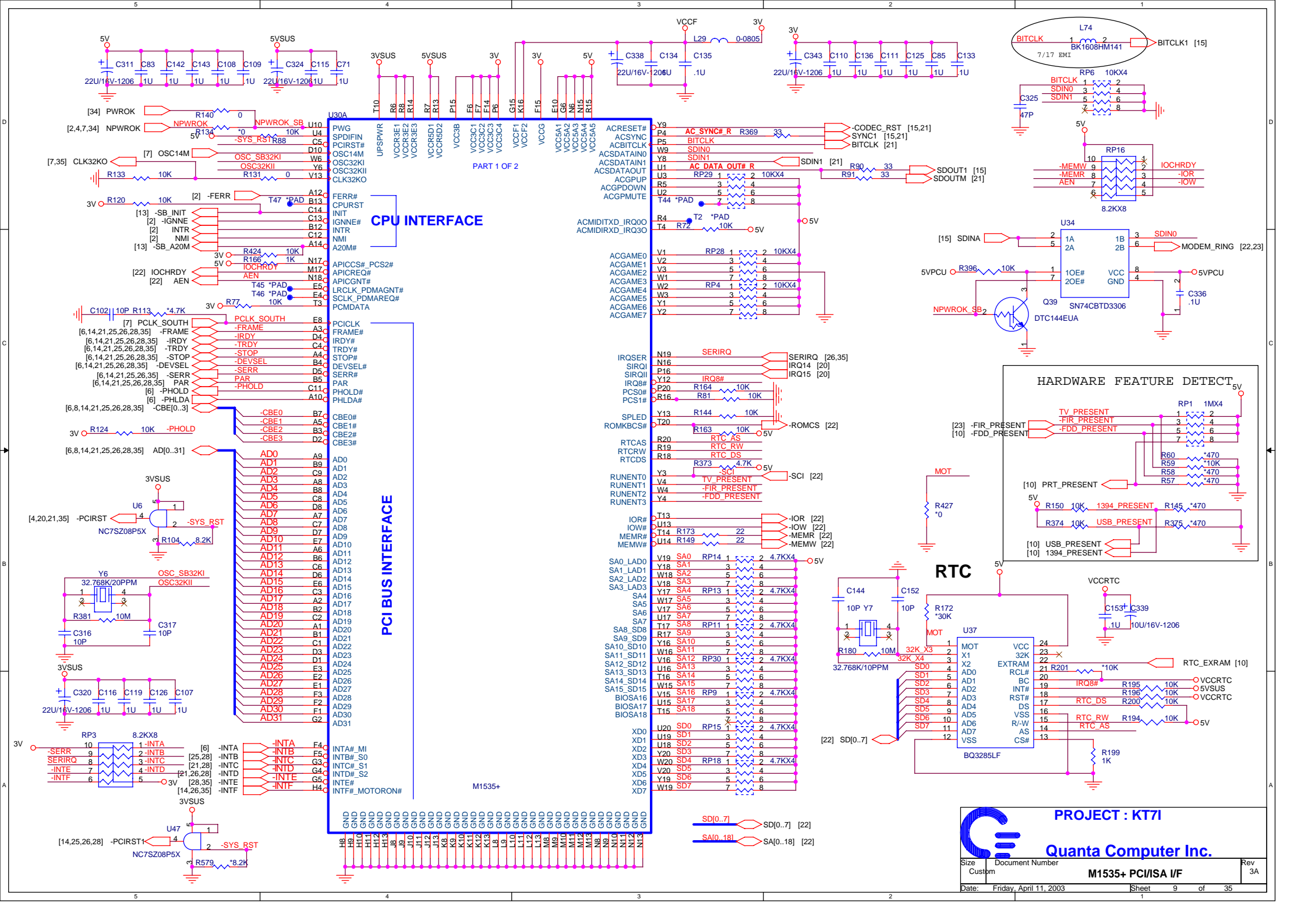


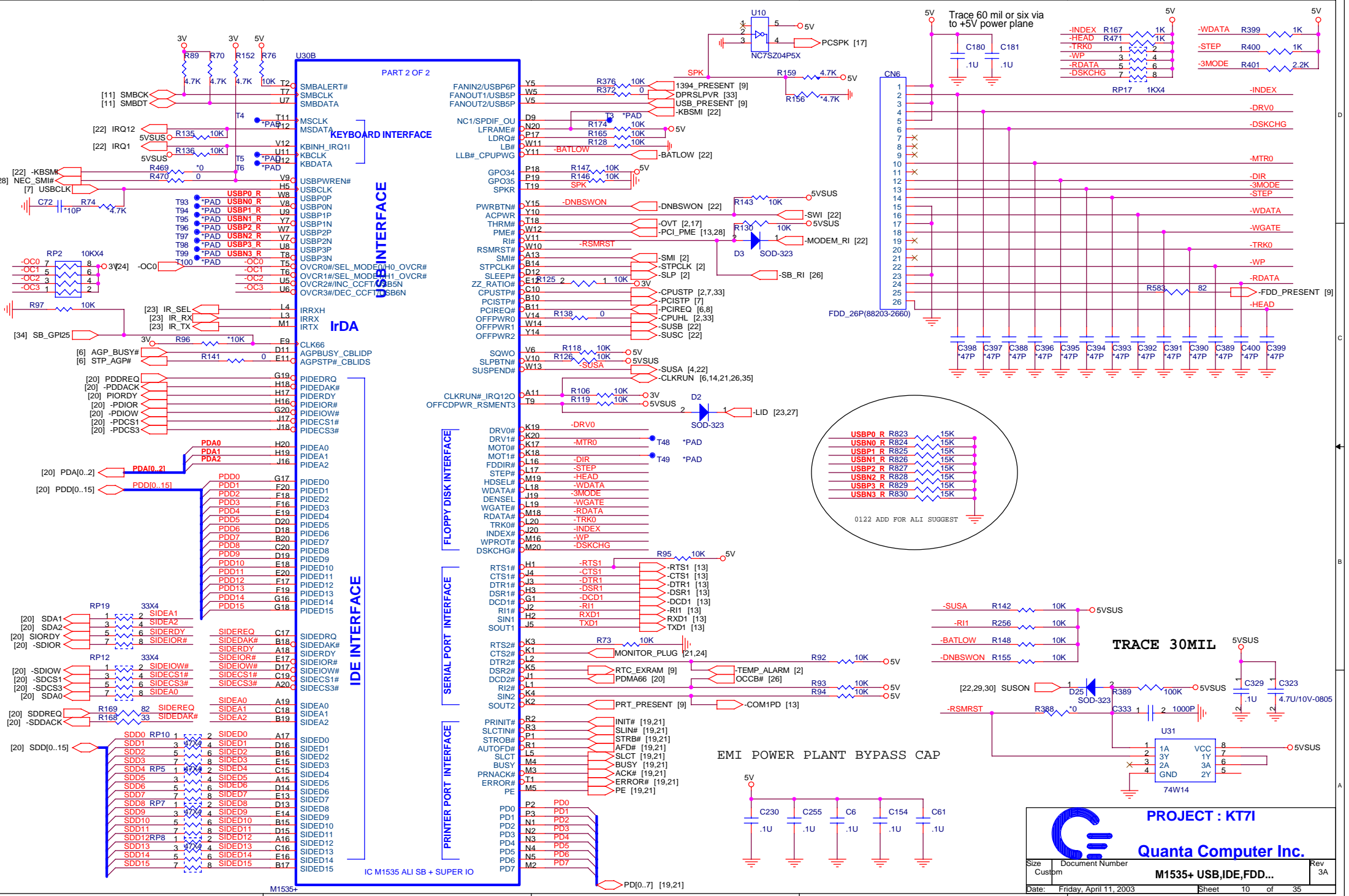
Panel IDs

PROJECT : KT7I

Quanta Computer Inc.

Size Custom	Document Number RS200M config setting	Rev 3A
Date: Friday, April 11, 2003	Sheet 8 of 35	





PART 2 OF 2

KEYBOARD INTERFACE

IRDA INTERFACE

FLOPPY DISK INTERFACE

SERIAL PORT INTERFACE

PRINTER PORT INTERFACE

EMI POWER PLANT BYPASS CAP

Trace 60 mil or six via to +5V power plane

TRACE 30MIL

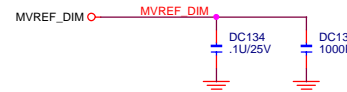
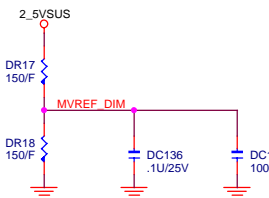
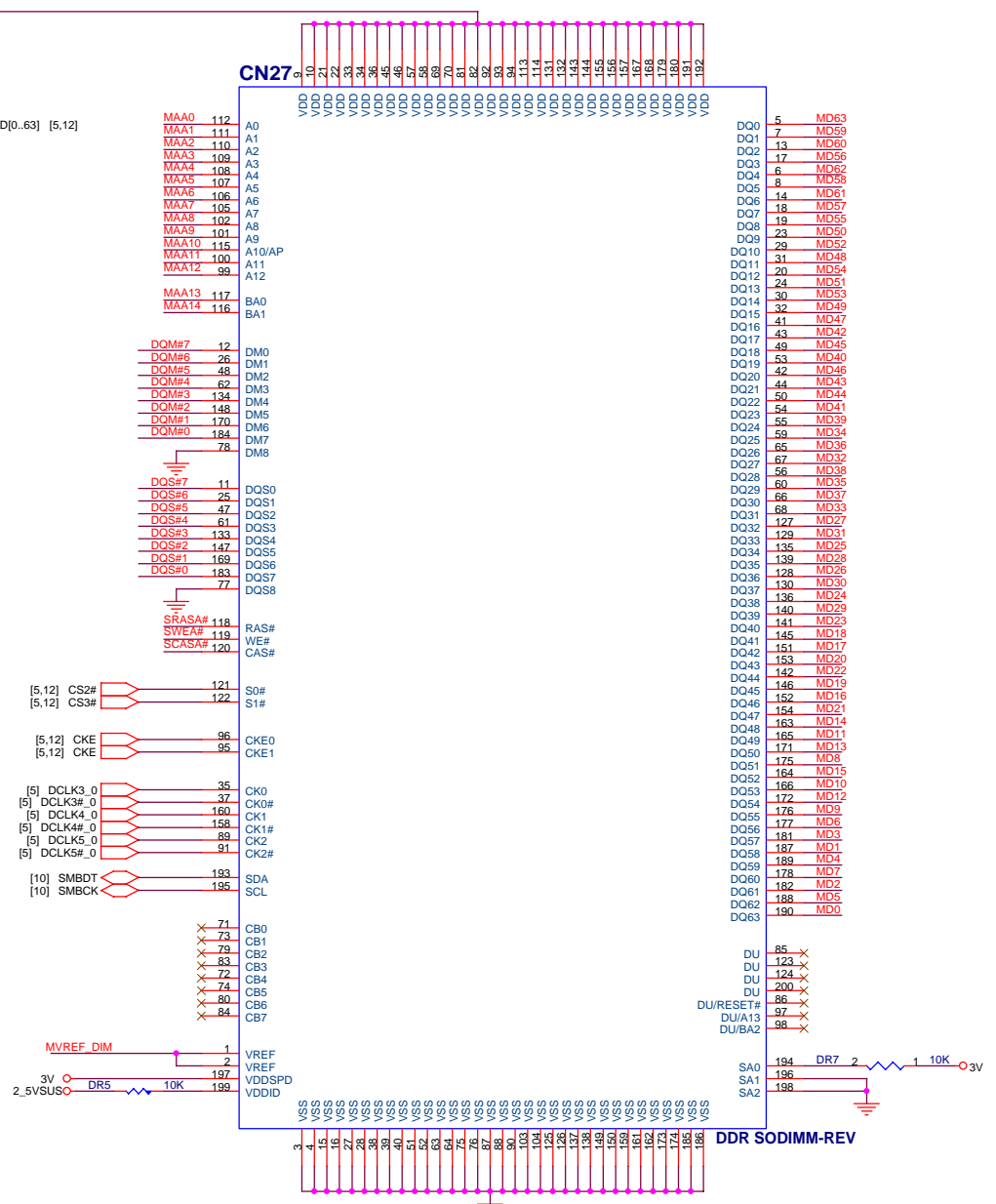
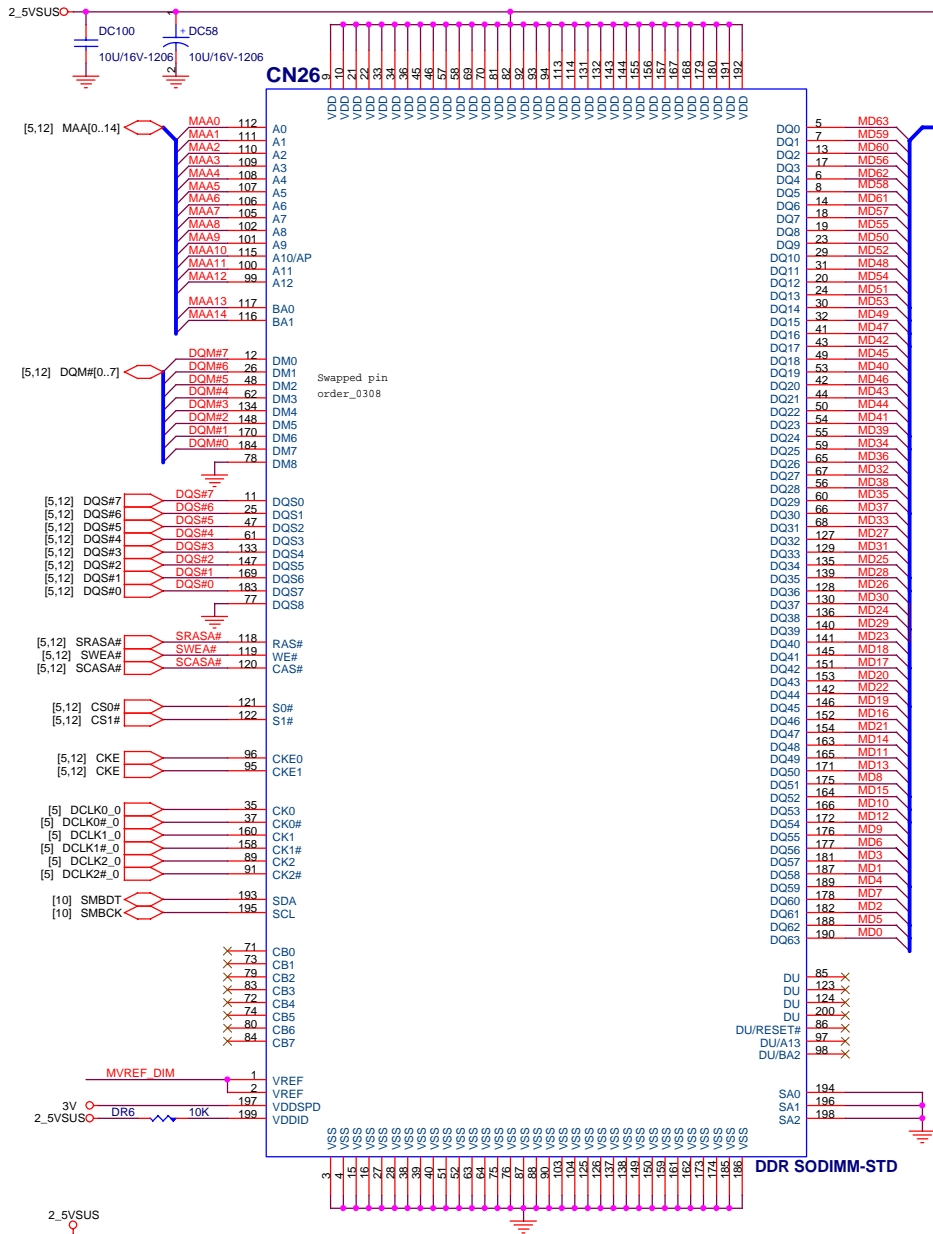
PROJECT : KT71
Quanta Computer Inc.


Size	Document Number	Rev
Custom	M1535+ USB,IDE,FDD...	3A
Date:	Friday, April 11, 2003	Sheet 10 of 35

IC M1535 ALI SB + SUPER IO

0122 ADD FOR ALI SUGGEST

DDR - Modules

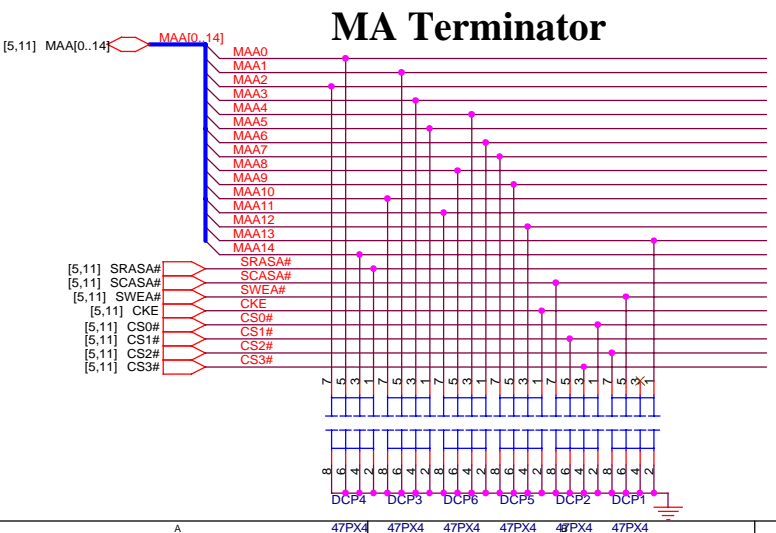
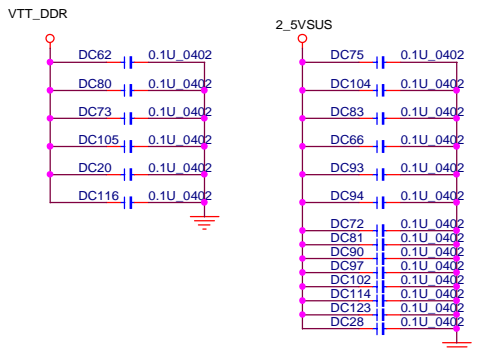
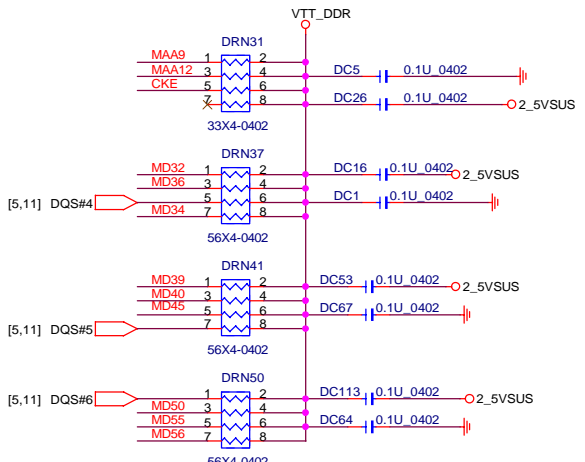
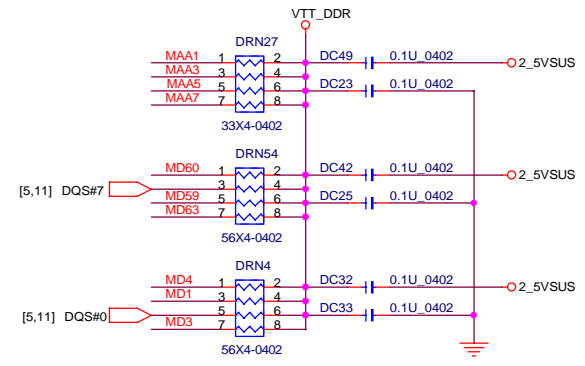
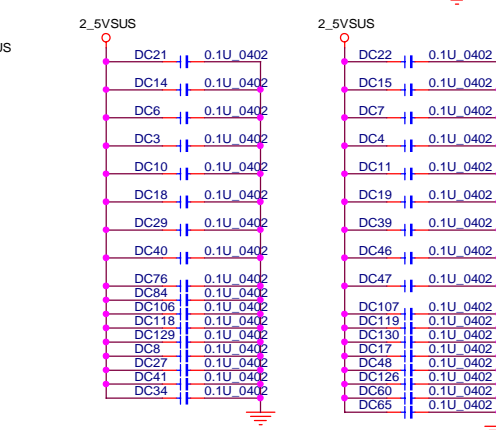
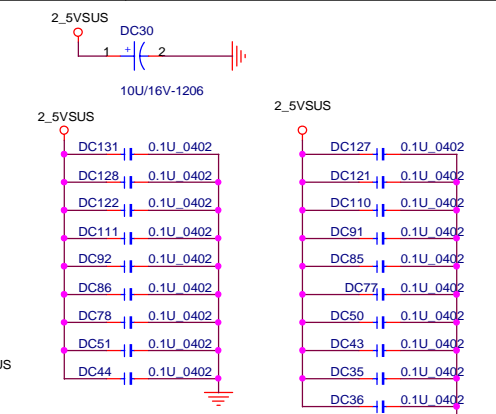
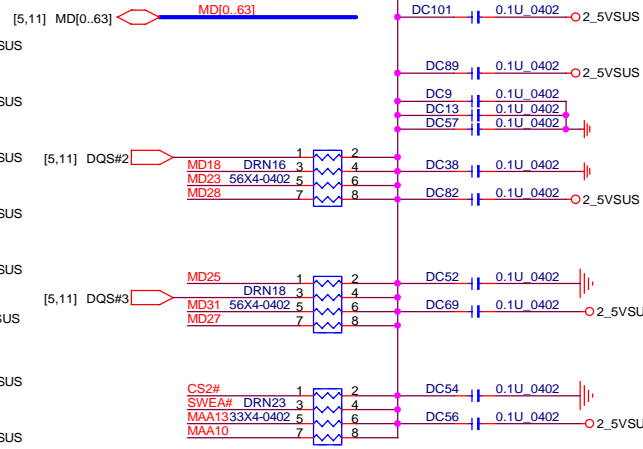
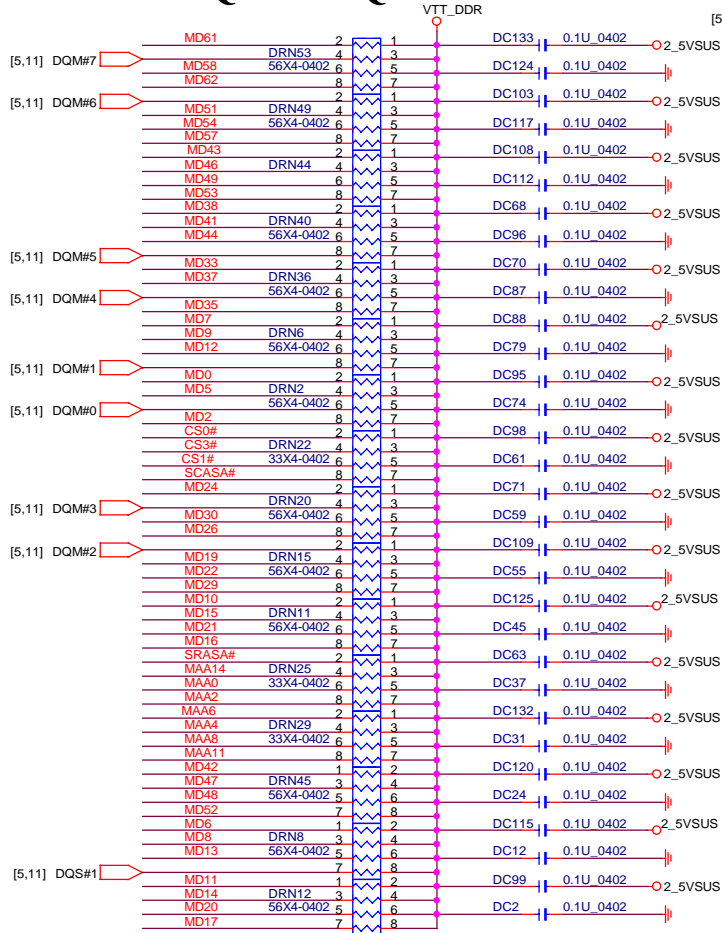




PROJECT : KT7I
Quanta Computer Inc.

Size	Document Number	Rev
DDR MODULES		3A
Date:	Friday, April 11, 2003	Sheet 11 of 35

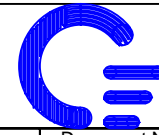
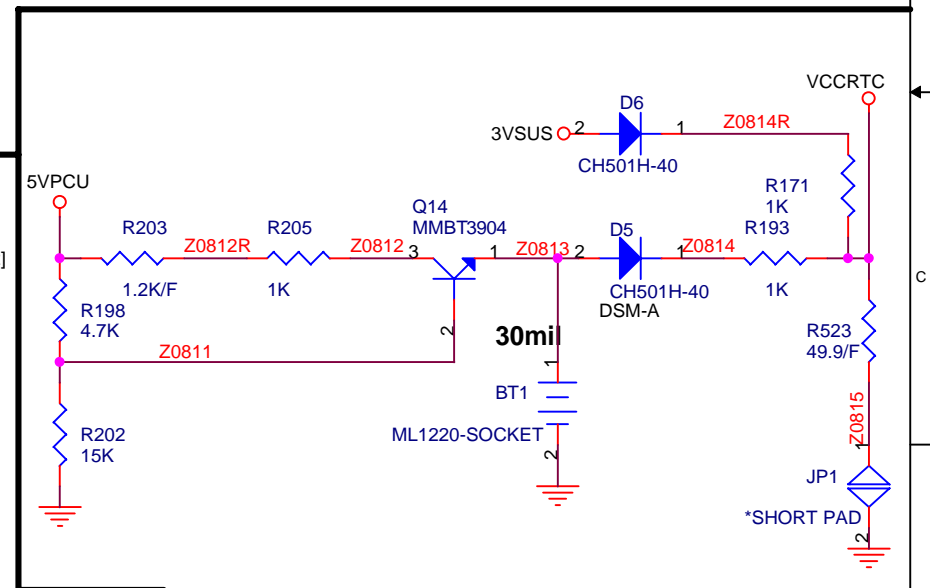
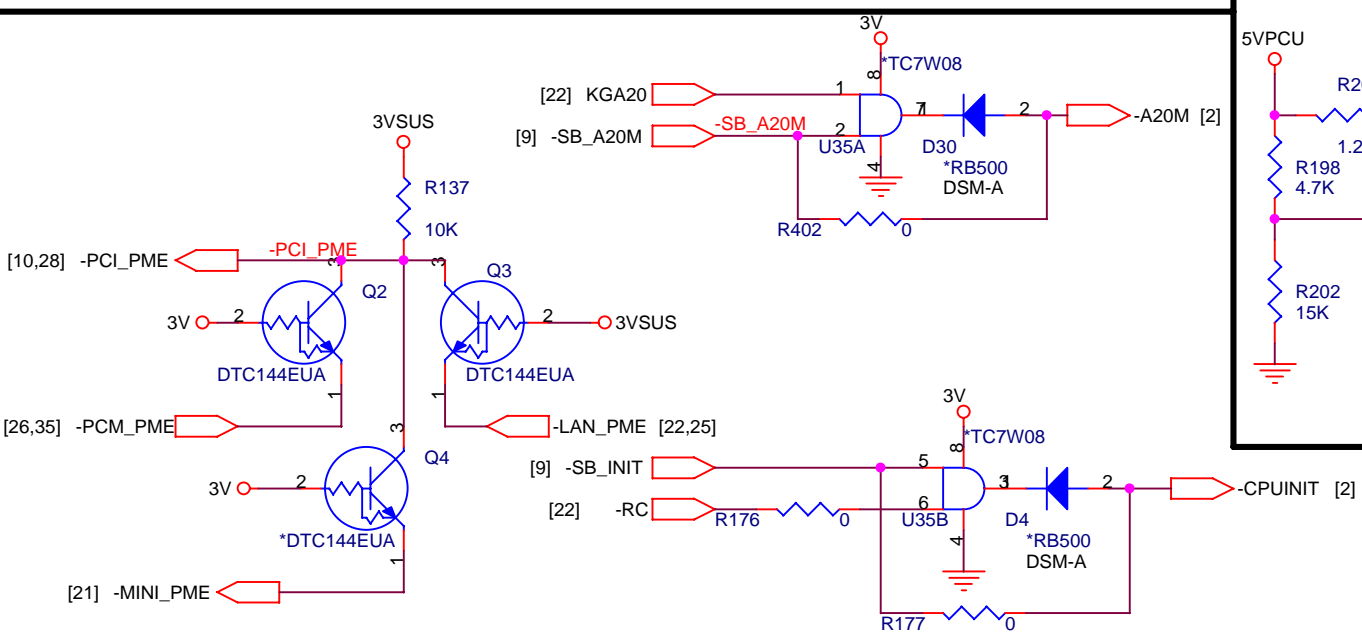
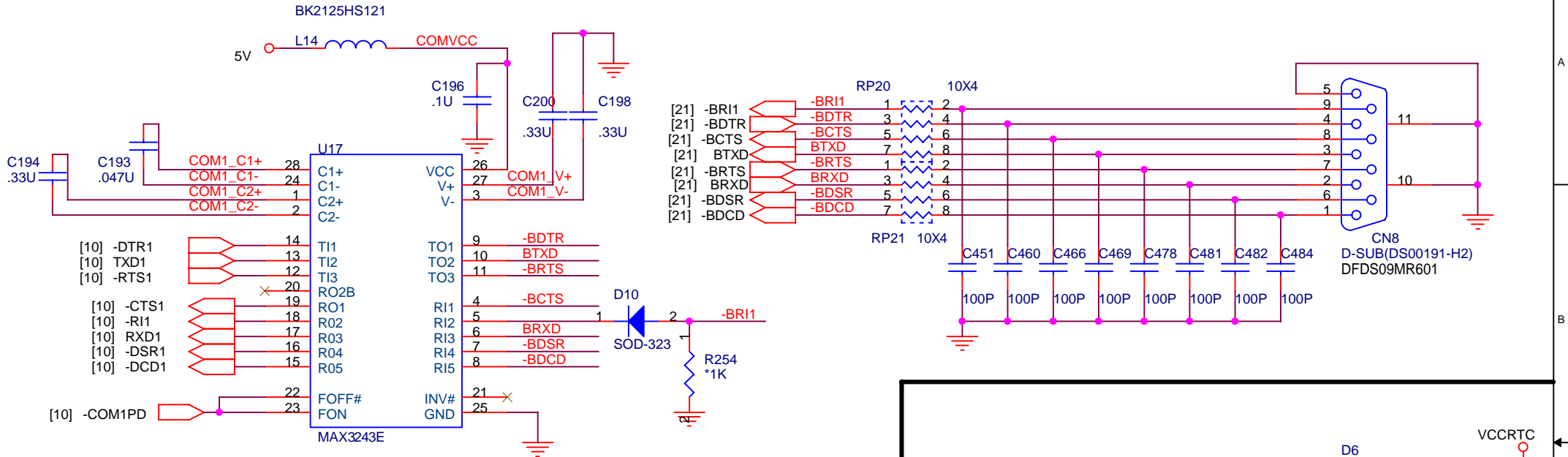
MD & DQM & DQS Terminator



PROJECT : KT7I
Quanta Computer Inc.

Size	Document Number	Rev
	DDR TERMINATOR	3A
Date:	Friday, April 11, 2003	Sheet 12 of 35

SERIAL PORT

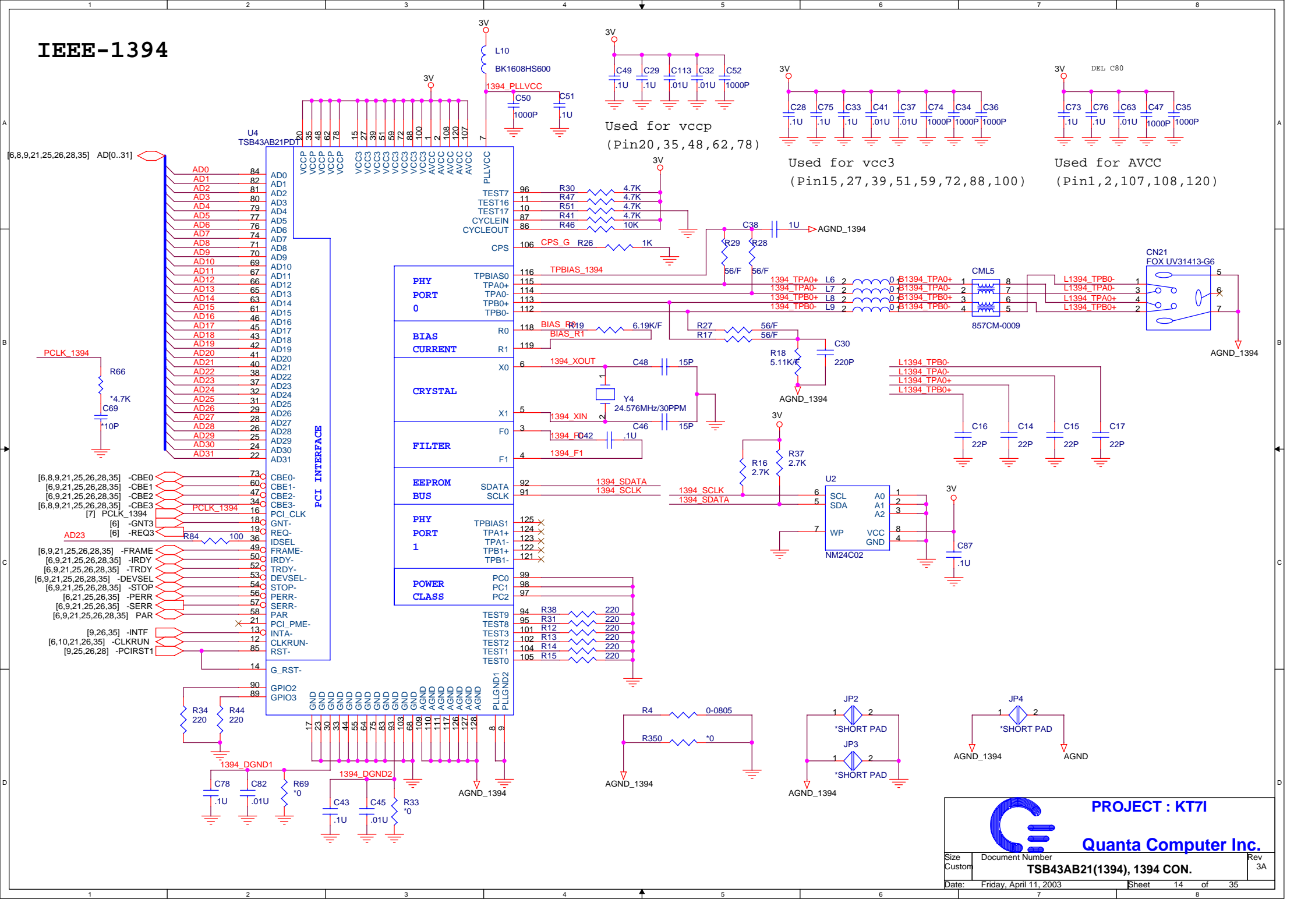


PROJECT : KT71

Quanta Computer Inc.

Size Custom	Document Number SERIAL PORT&RTC	Rev 3A
Date: Friday, April 11, 2003	Sheet 13 of 35	

IEEE-1394



[6,8,9,21,25,26,28,35] AD[0..31]

[6,8,9,21,25,26,28,35] -CBE0
[6,9,21,25,26,28,35] -CBE1
[6,9,21,25,26,28,35] -CBE2
[6,8,9,21,25,26,28,35] -CBE3
[7] PCLK_1394
[6] -GNT3
[6] -REQ3

[6,9,21,25,26,28,35] -FRAME
[6,9,21,25,26,28,35] -IRDY
[6,9,21,25,26,28,35] -TRDY
[6,9,21,25,26,28,35] -DEVSEL
[6,9,21,25,26,28,35] -STOP
[6,21,25,26,35] -PERR
[6,9,21,25,26,35] -SERR
[6,9,21,25,26,35] PAR

[9,26,35] -INTF
[6,10,21,26,35] -CLKRUN
[9,25,26,28] -PCIRST1

Used for vccp
(Pin20, 35, 48, 62, 78)

Used for vcc3
(Pin15, 27, 39, 51, 59, 72, 88, 100)

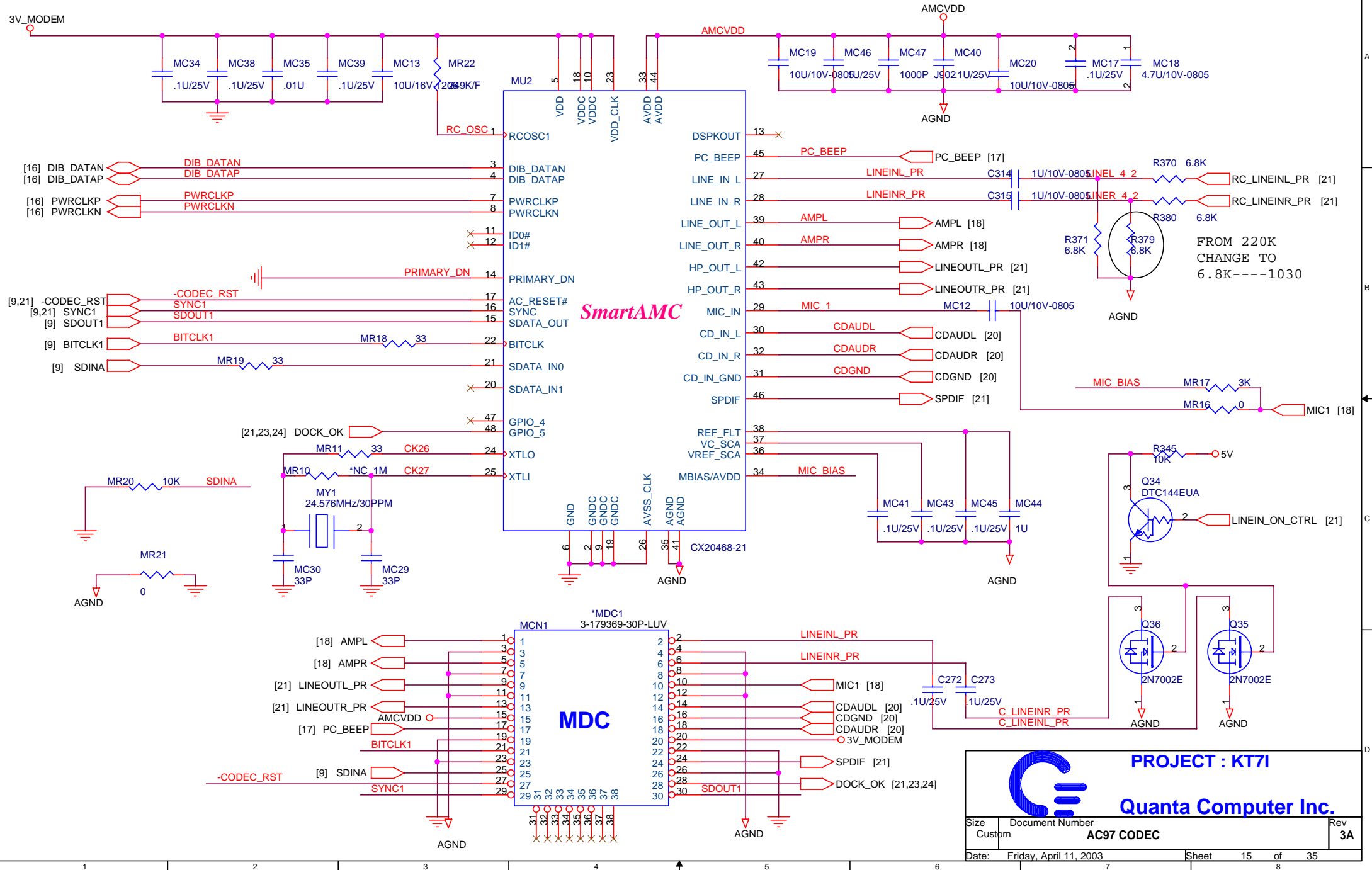
Used for AVCC
(Pin1, 2, 107, 108, 120)

PCI INTERFACE

PROJECT : KT71
Quanta Computer Inc.

Size Custom	Document Number TSB43AB21(1394), 1394 CON.	Rev 3A
Date:	Friday, April 11, 2003	Sheet 14 of 35

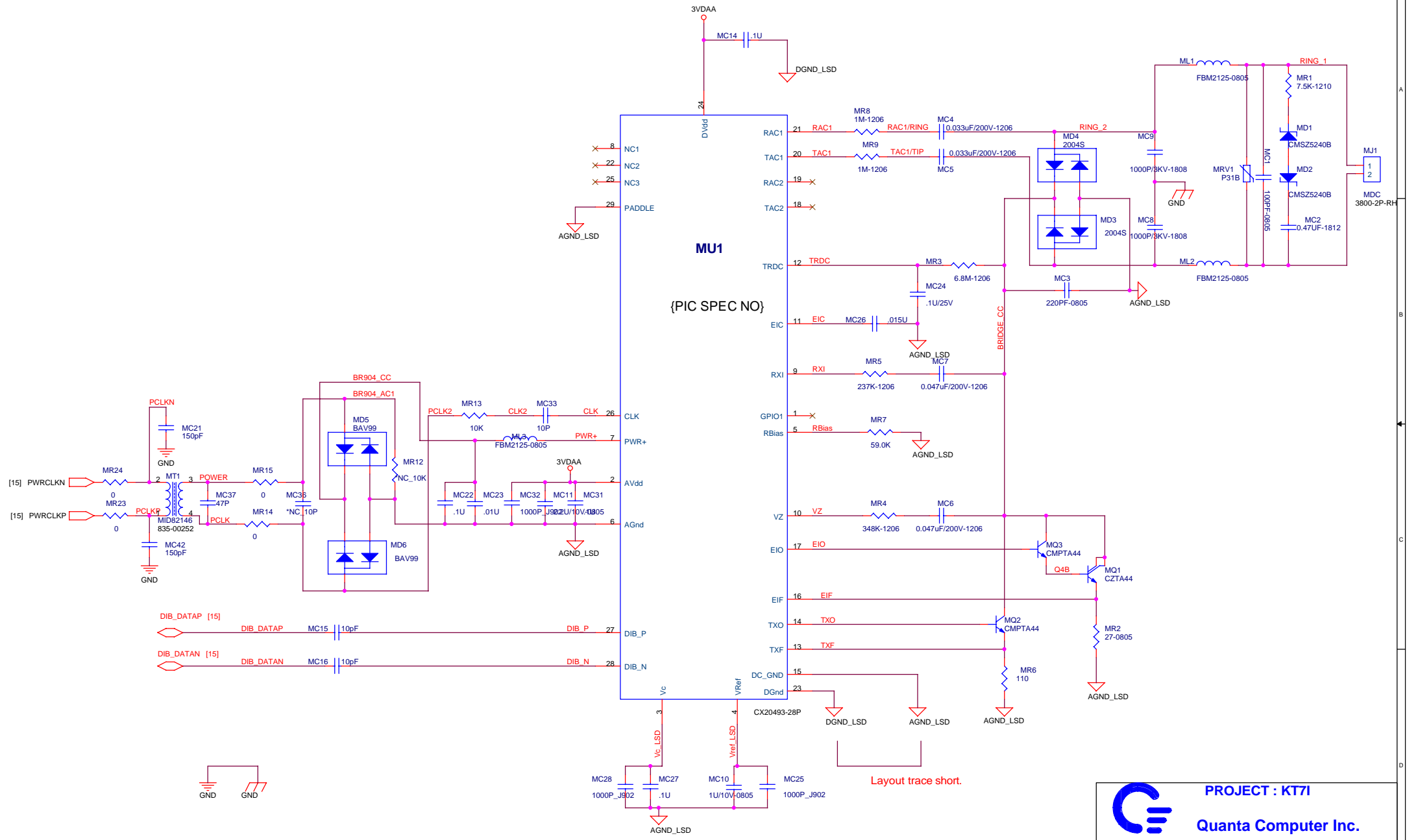
The AMC20493-001 modem is used for mother board family MBAMC20493-005



PROJECT : KT7I

Quanta Computer Inc.

Size Custom	Document Number AC97 CODEC	Rev 3A
Date: Friday, April 11, 2003	Sheet 15 of 35	

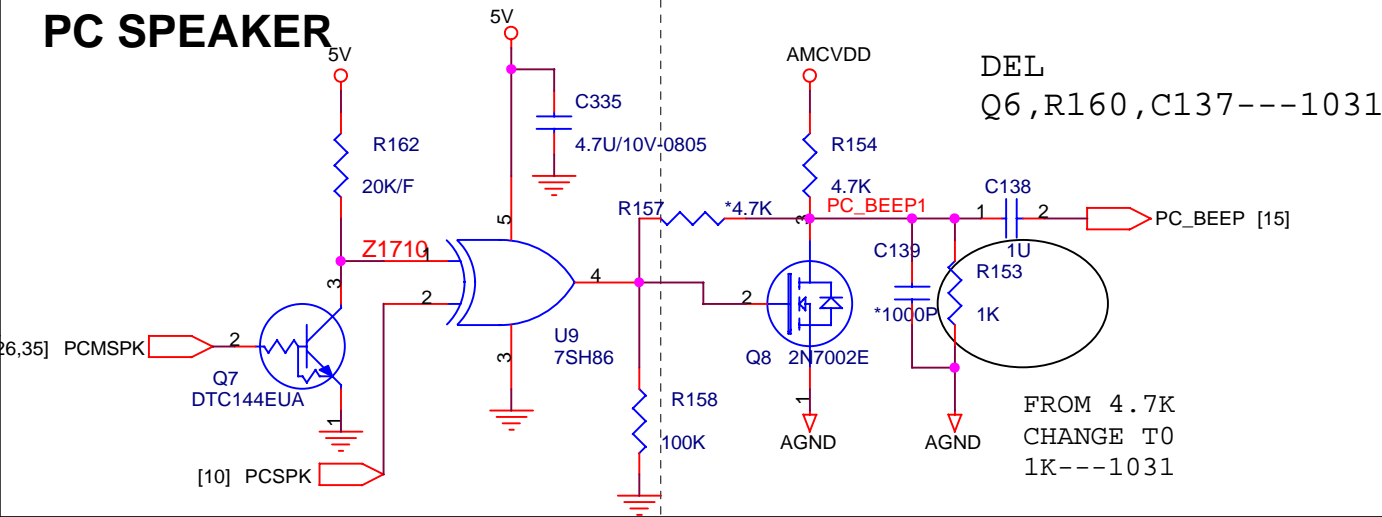


PROJECT : KT71

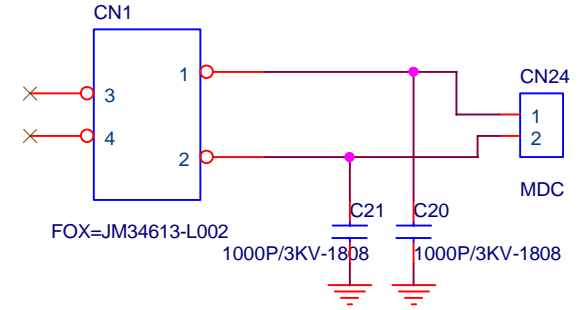
Quanta Computer Inc.

Size	Document Number	Rev
	MODEM DAA	3A
Date:	Friday, April 11, 2003	Sheet 16 of 35

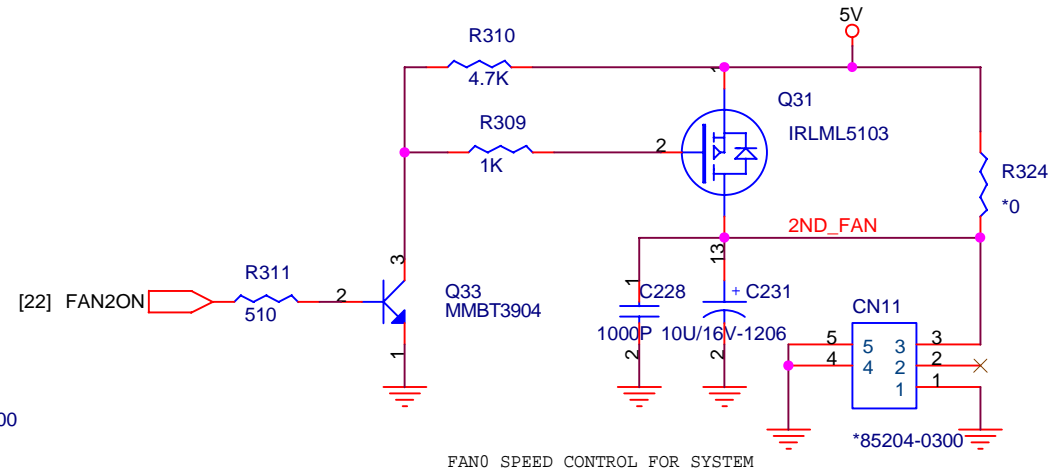
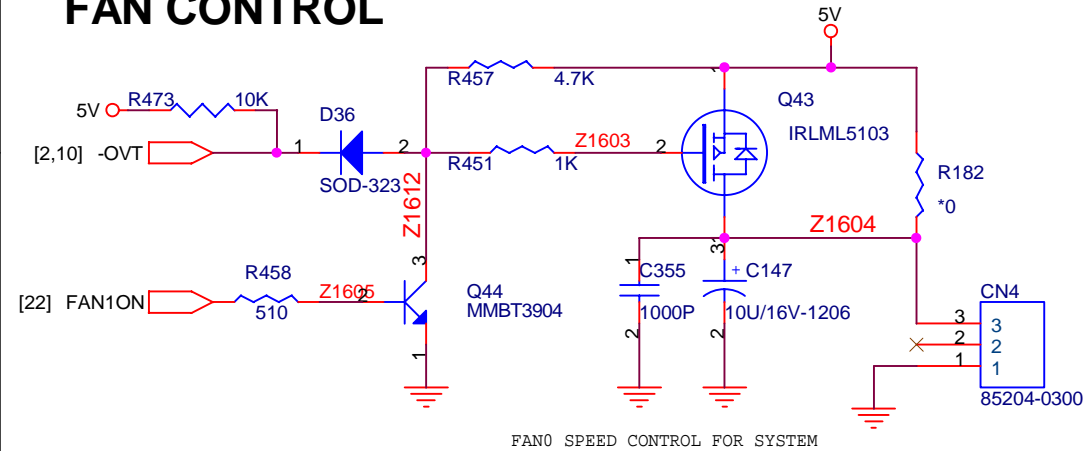
PC SPEAKER



RJ11 CONNECTOR

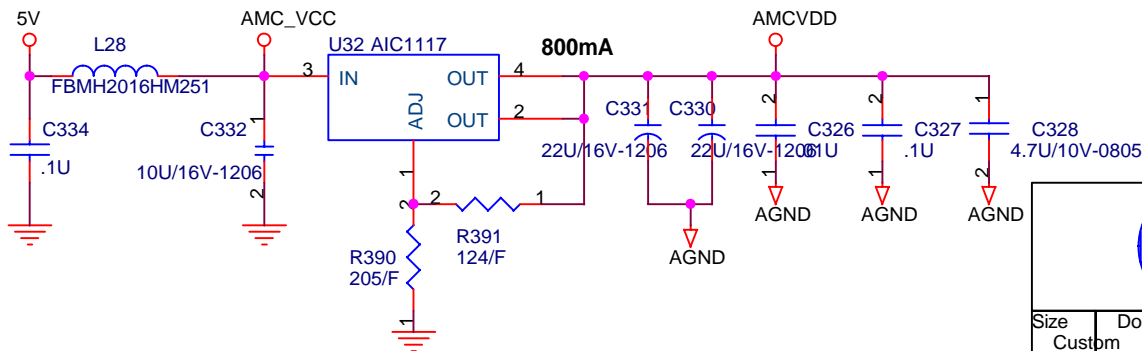


FAN CONTROL

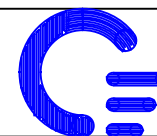


MODEM VDD

R362, R361, R343, R32
MOVE TO PAGE 18



$$V_{out} = 1.25 * (R_{429}/R_{428} + 1) + 55u * R_{429} = 3.3V$$



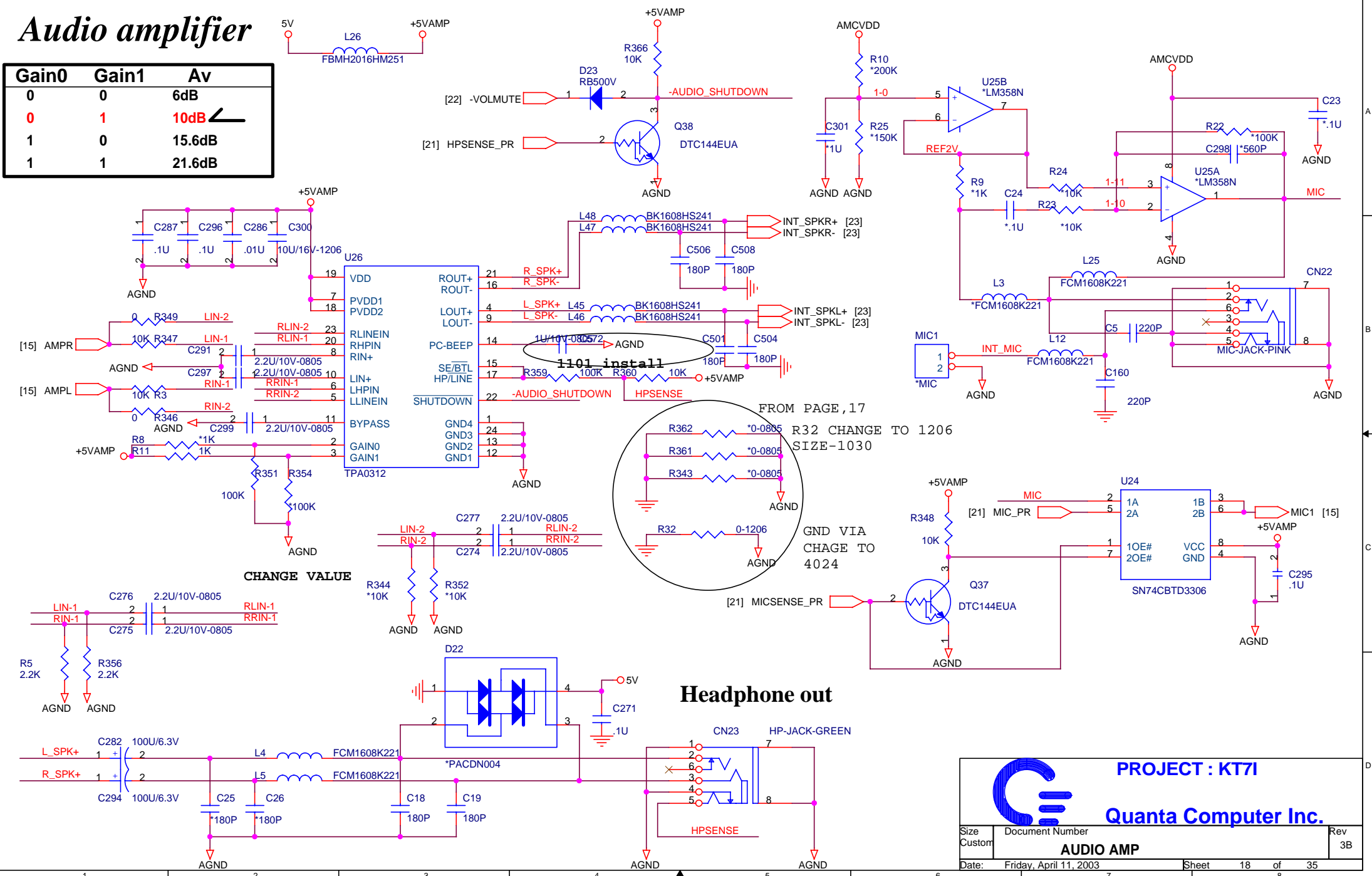
PROJECT : KT7I

Quanta Computer Inc.

Size Custom	Document Number FAN/RJ11/BEEP	Rev 3A
Date: Friday, April 11, 2003	Sheet 17 of 35	

Audio amplifier

Gain0	Gain1	Av
0	0	6dB
0	1	10dB
1	0	15.6dB
1	1	21.6dB

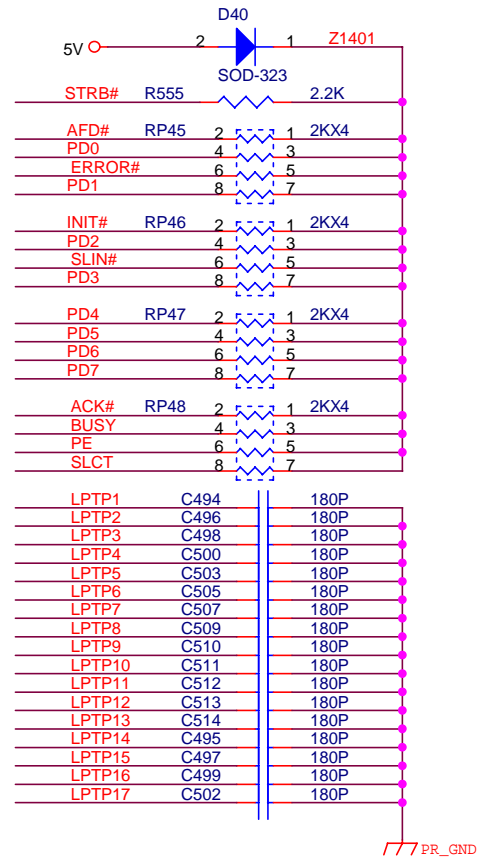
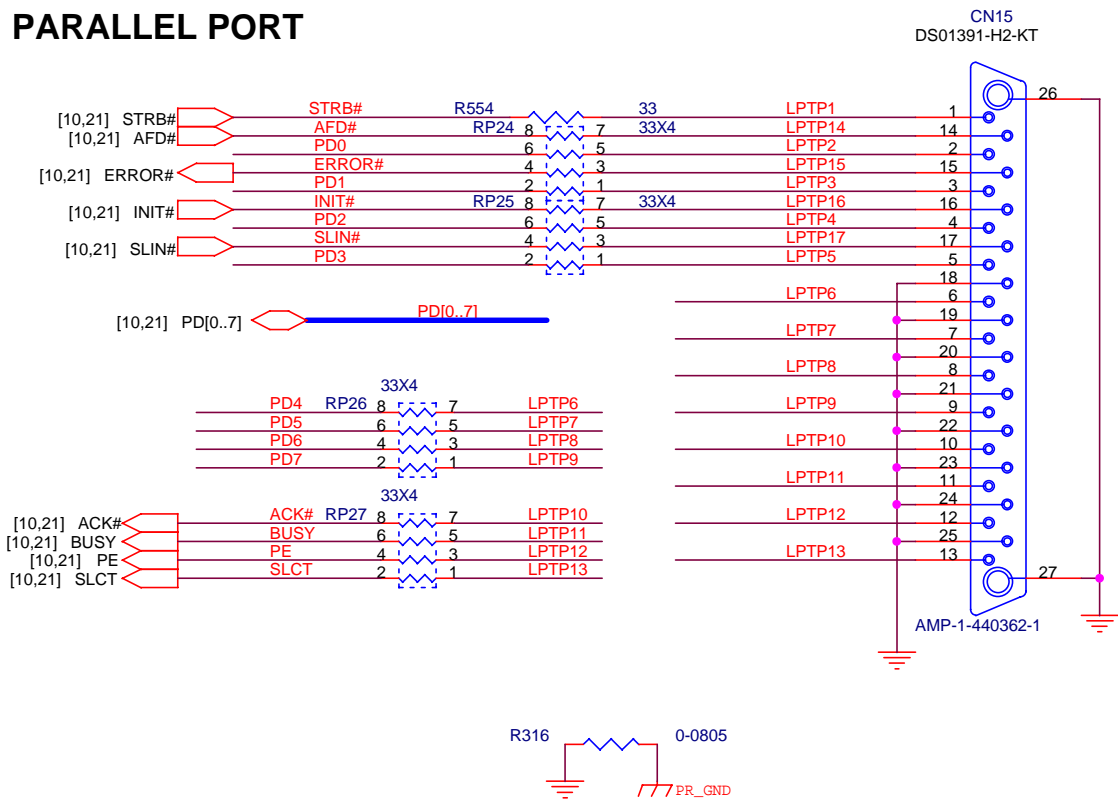


PROJECT : KT7I

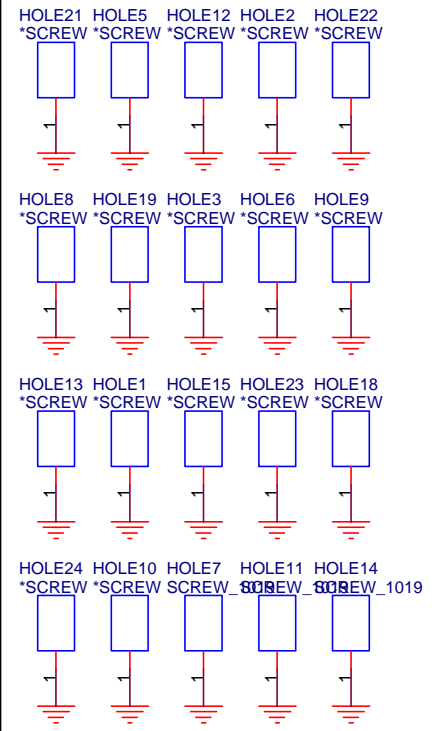
Quanta Computer Inc.

Size Custom	Document Number	Rev
	AUDIO AMP	3B
Date:	Friday, April 11, 2003	Sheet 18 of 35

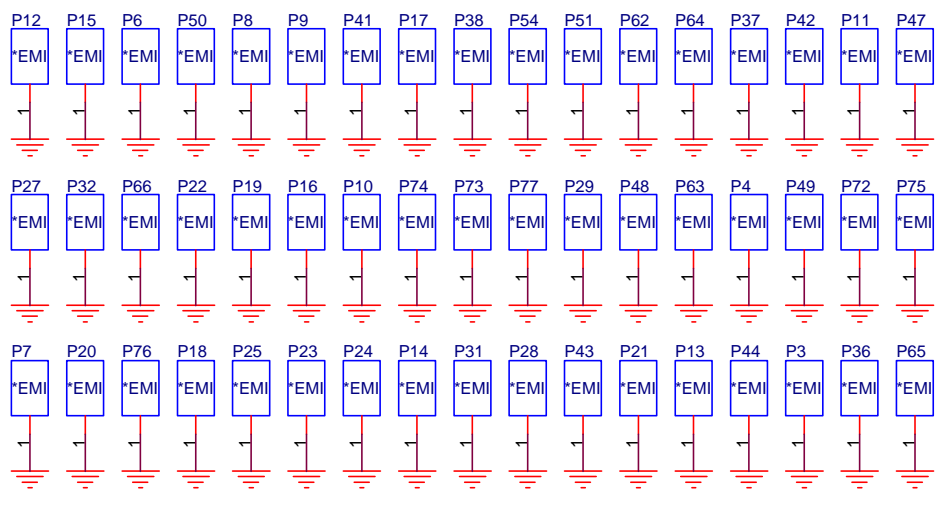
PARALLEL PORT



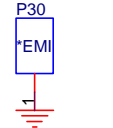
SCREW HOLES



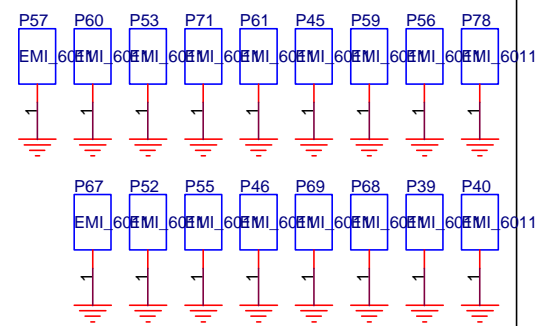
EMI FENSES



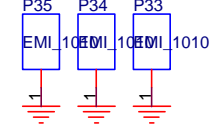
ANTENNA WIRE SPRINGS



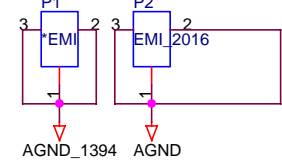
H: 5.6 MM SPRINGS



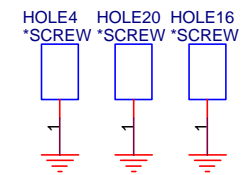
MODEM WIRE SPRINGS



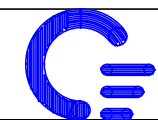
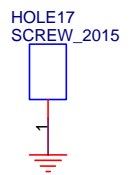
UNDER PDD SPRINGS



THERMAL MODULE NUT



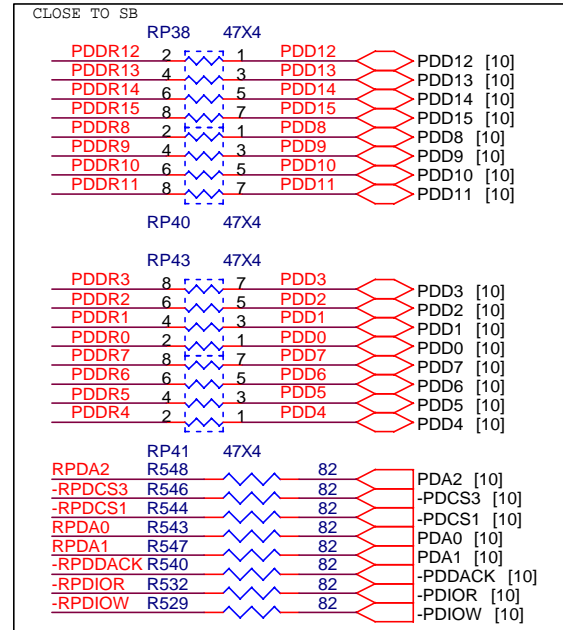
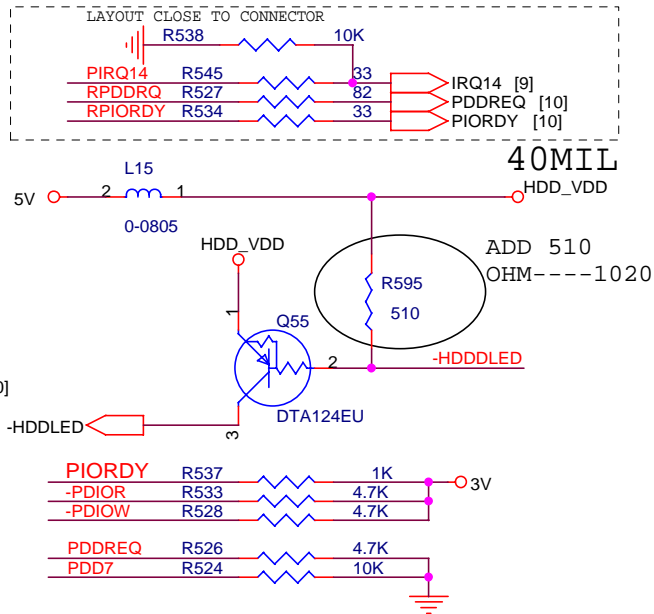
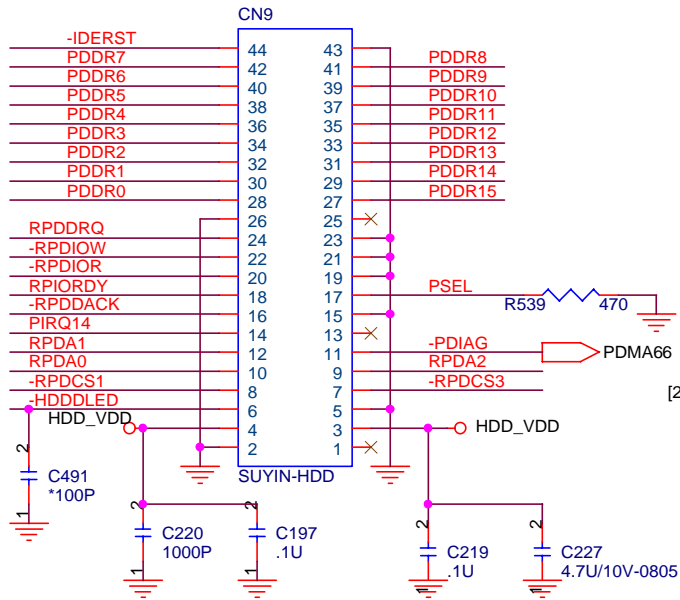
CDROM NUT



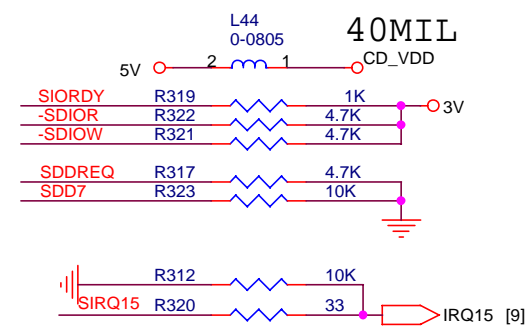
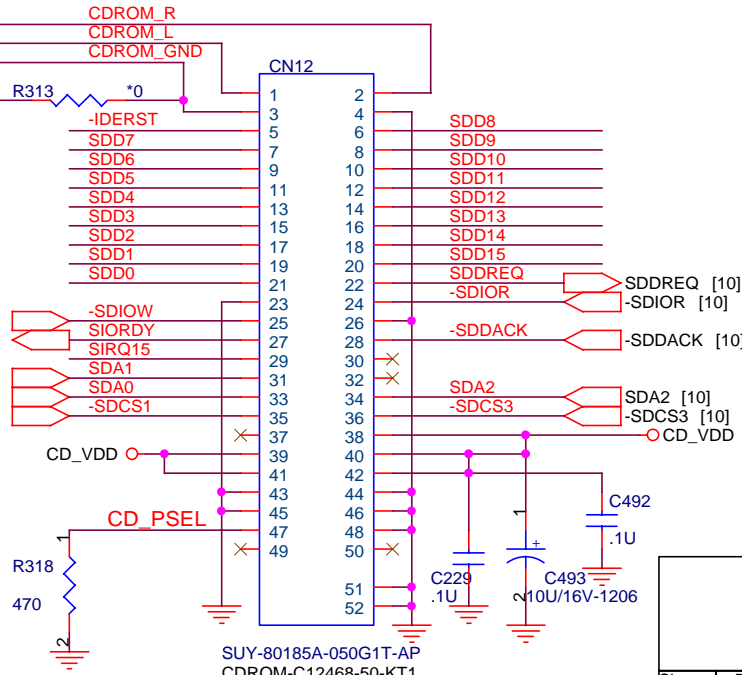
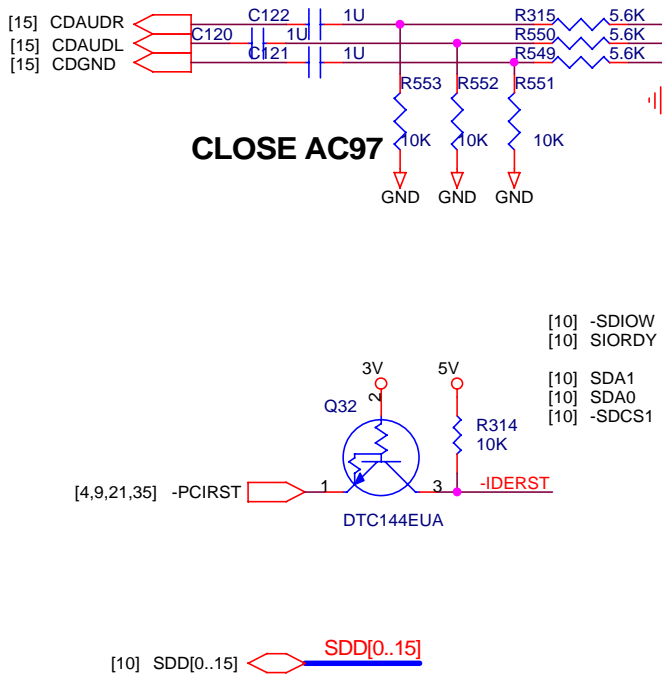
PROJECT : KT7I
Quanta Computer Inc.


Size	Document Number	Rev
Custom	Parallel PORT/SCREW HOLE	3A
Date:	Friday, April 11, 2003	Sheet 19 of 35

HDD CONNECTOR



CD-ROM CONNECTOR





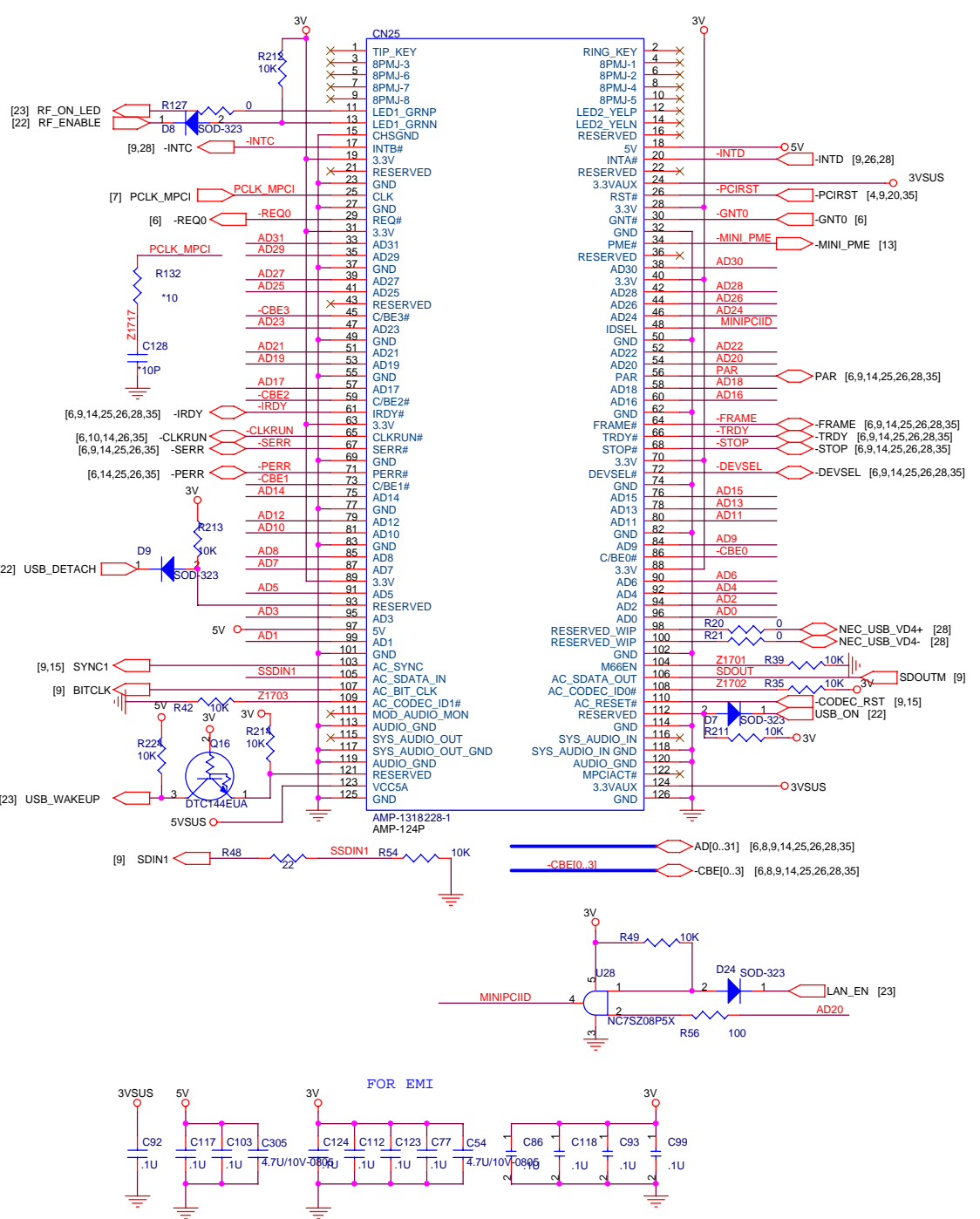
PROJECT : KT71

Quanta Computer Inc.

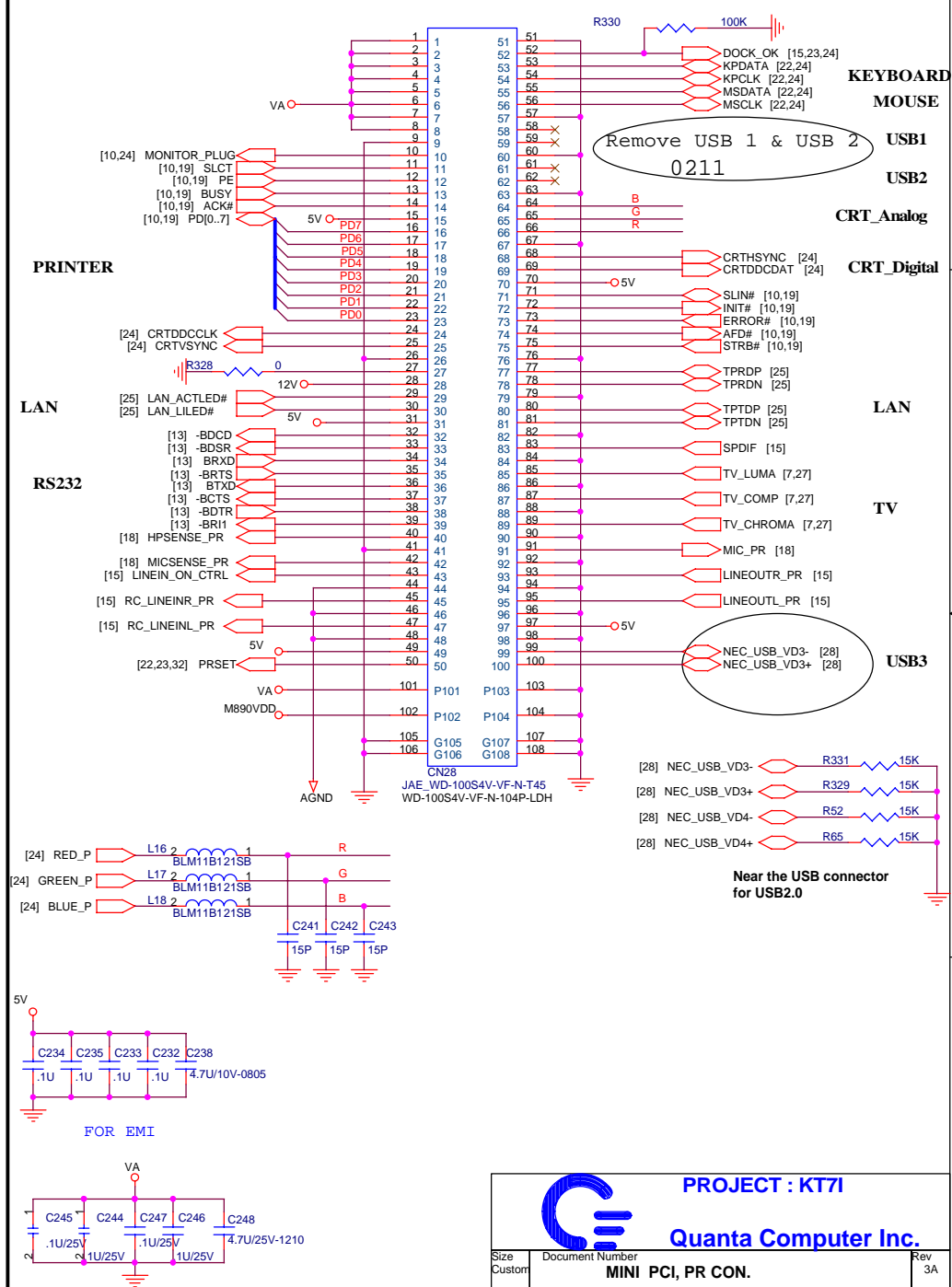
Size	Document Number	Rev
Custom	CD-ROM/HDD CONNECTOR	3A
Date:	Friday, April 11, 2003	Sheet 20 of 35


SUY-80185A-050G1T-AP
CDROM-C12468-50-KT1
PIN37 IS -CD LED.

TYPE III MINI PCI SOCKET



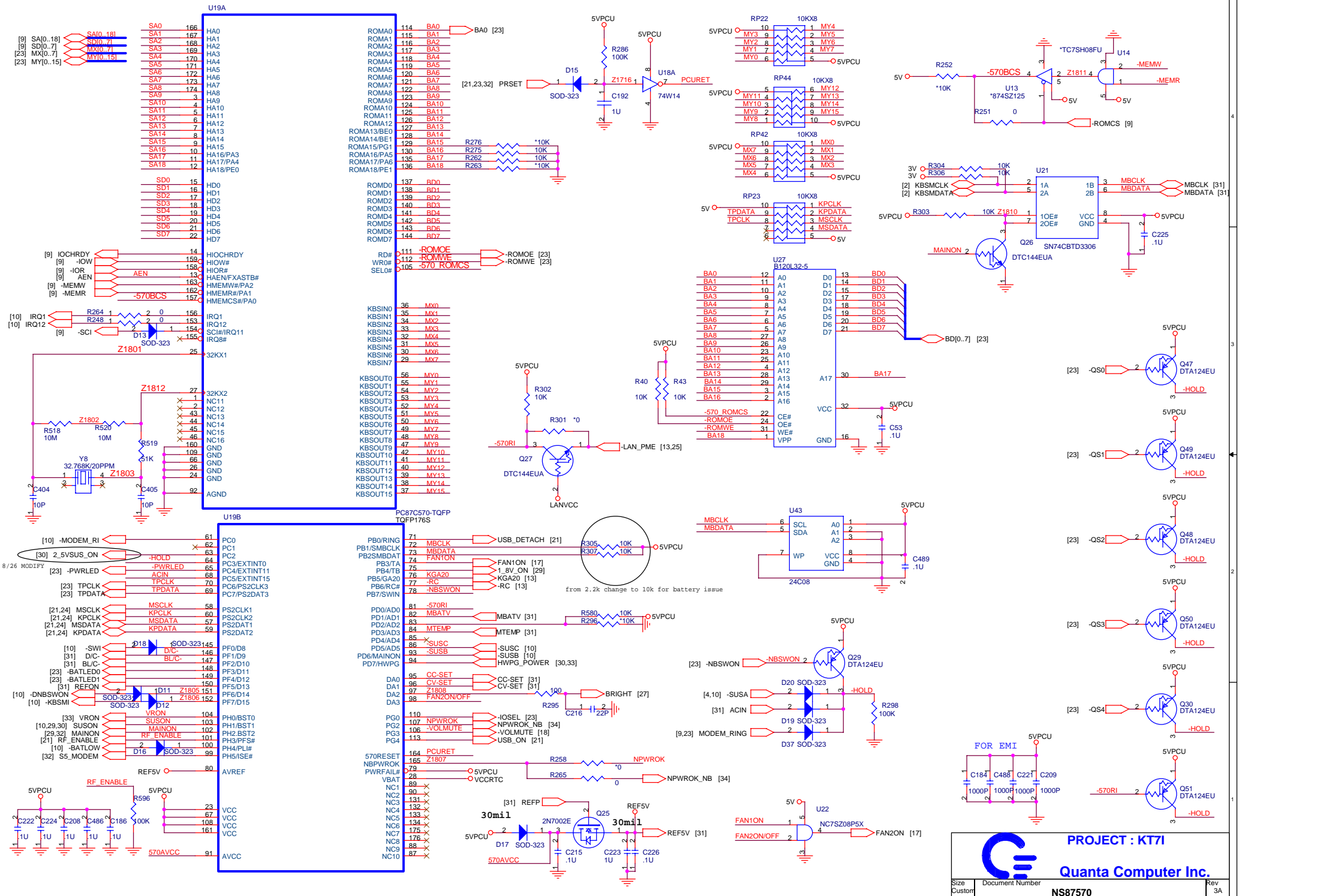
PORT REPLICATOR Connector

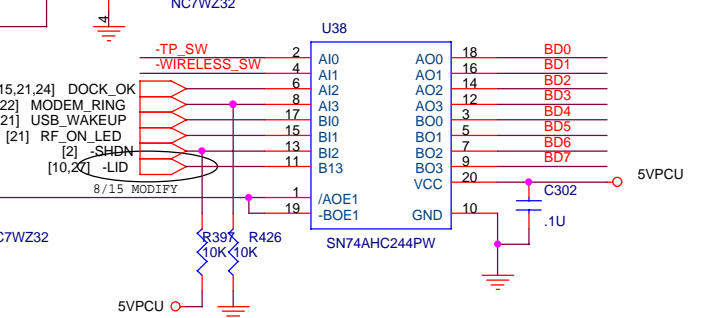
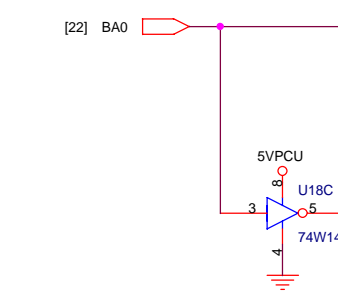
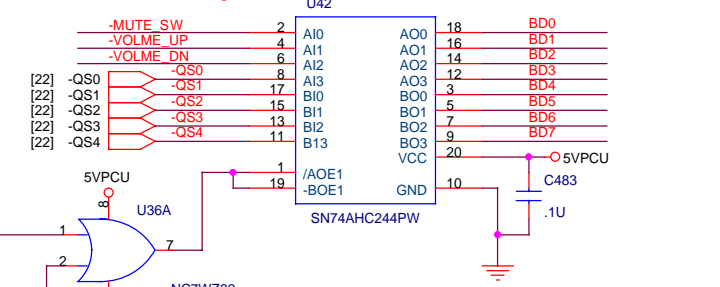
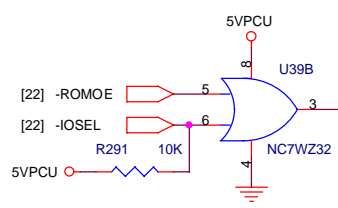
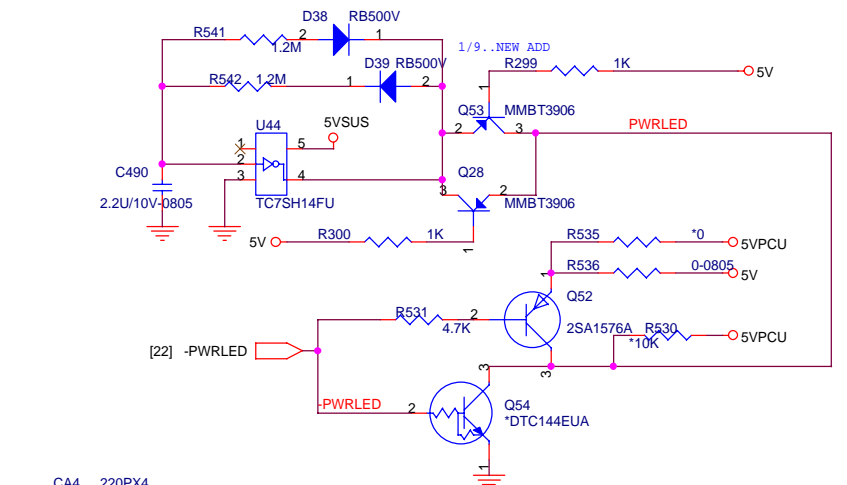
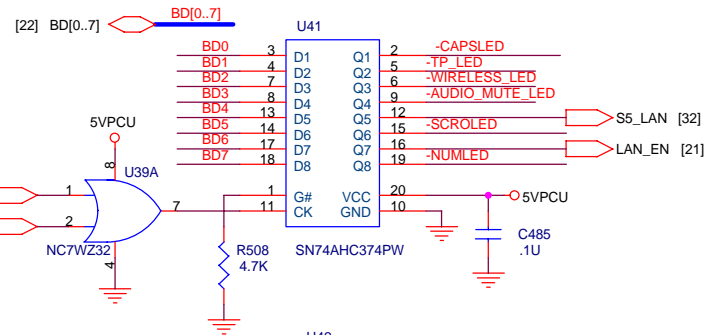
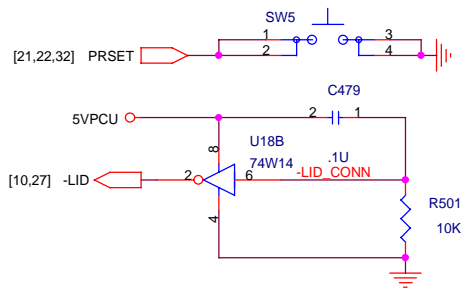
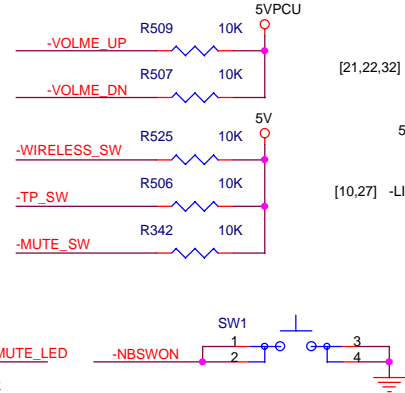
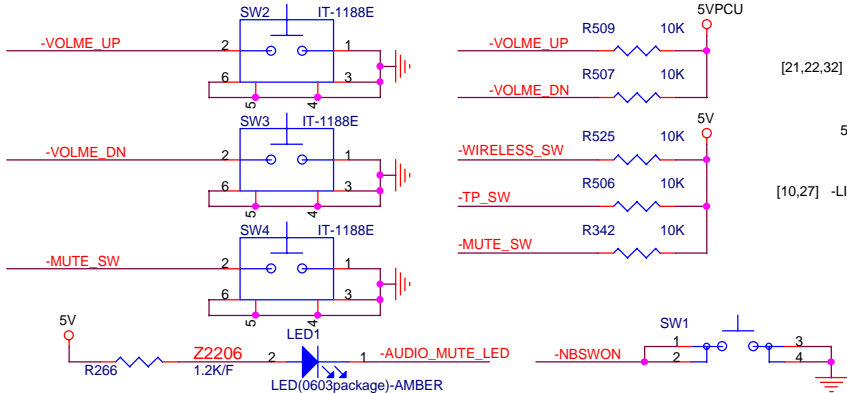




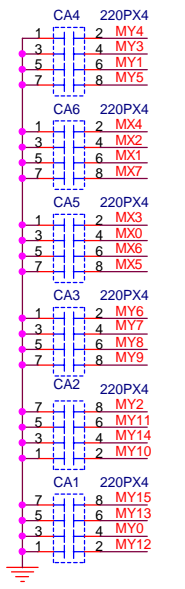
PROJECT : KT71
Quanta Computer Inc.

Size	Document Number	Rev	
Custom	MINI PCI, PR CON.	3A	
Date:	Friday, April 11, 2003	Sheet	21 of 35

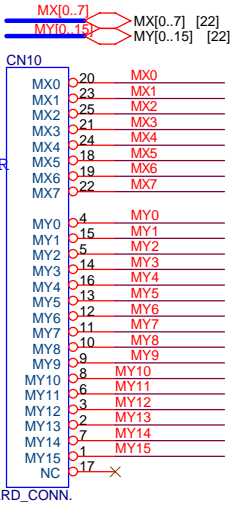




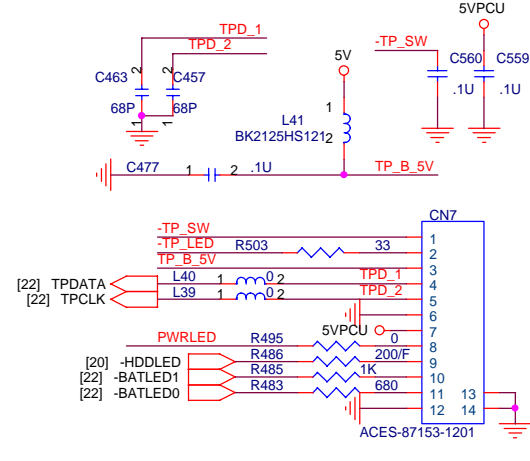
KEYBOARD CONNECTOR



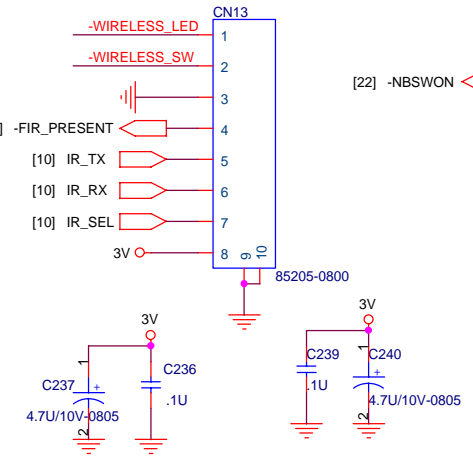
FOR EMI CLOSE TO KEYBOARD CONNECTOR



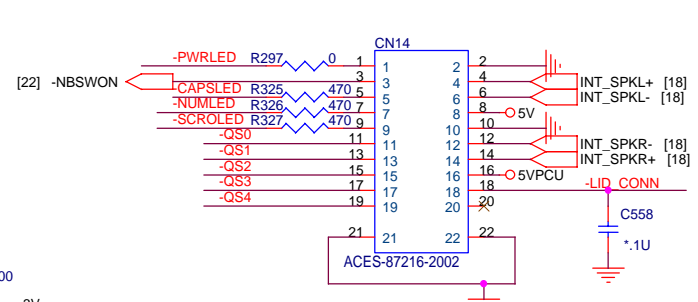
TOUCHPAD BOARD CON



IR BOARD CONN



LED BOARD CON

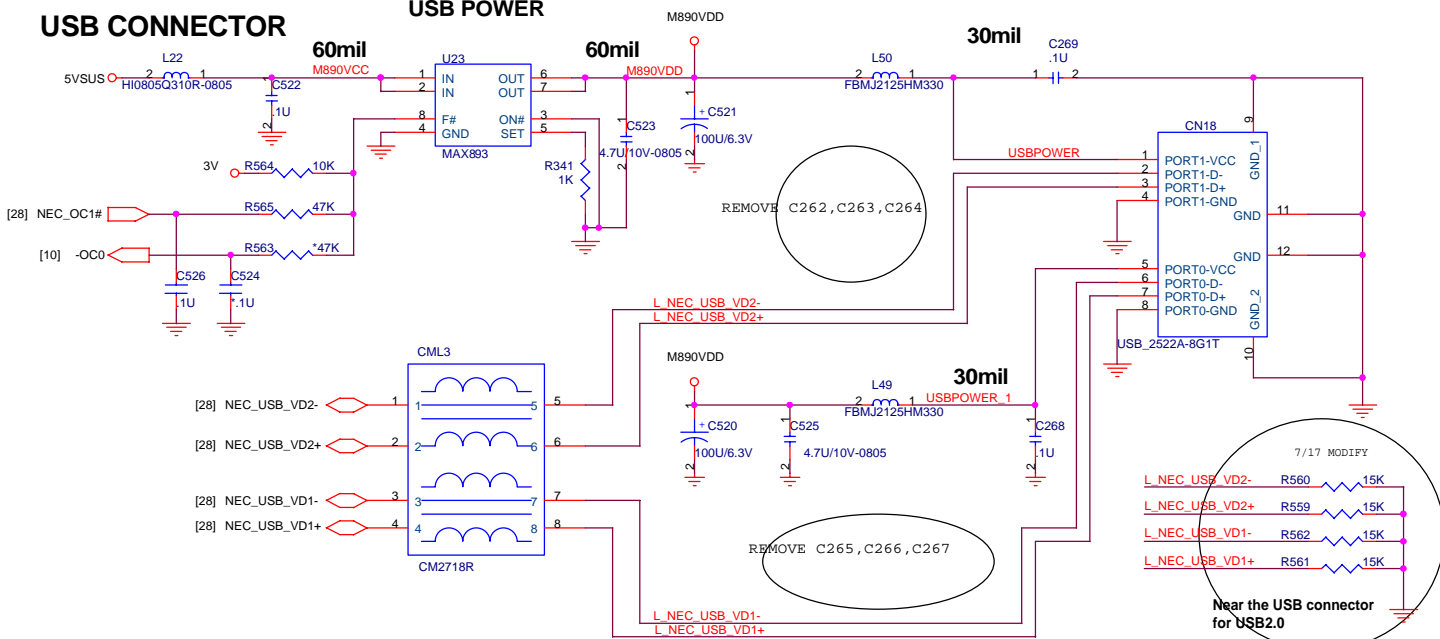


PROJECT : KT71
Quanta Computer Inc.

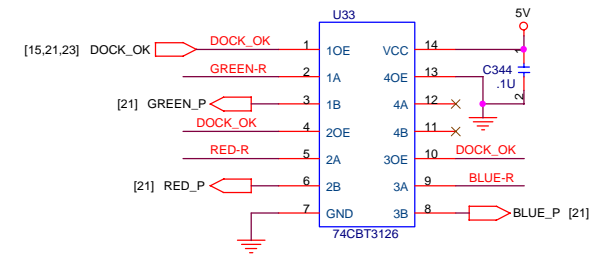
Size	Document Number	Rev
Custom	LED/SWITCH/KBC/TOUCHPAD	3A
Date:	Friday, April 11, 2003	Sheet 23 of 35

USB CONNECTOR

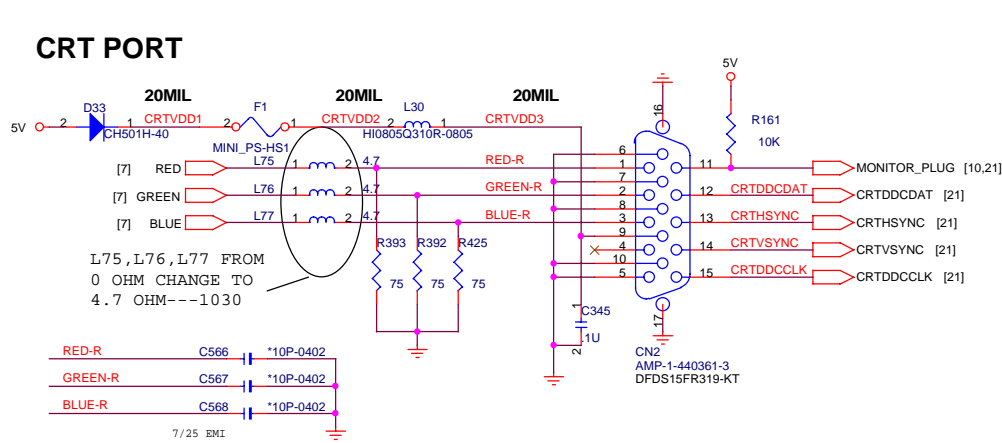
USB POWER



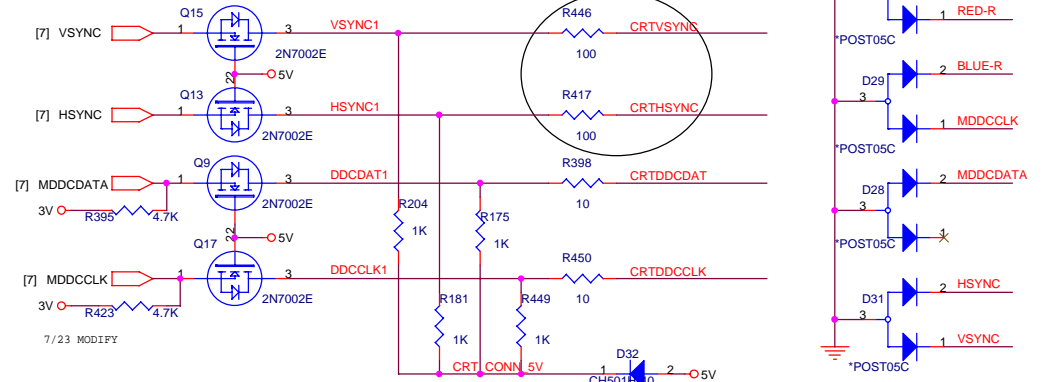
SWITCHING THE C.R.T. SIGNAL



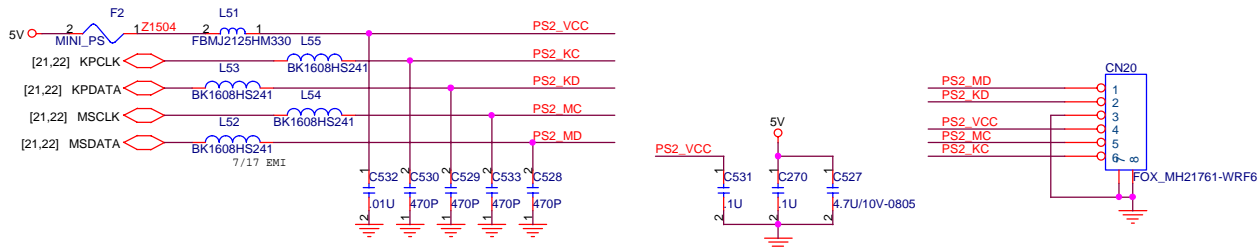
CRT PORT



R446, R417 FROM 10 OHM CHANGE TO 100 OHM --1030



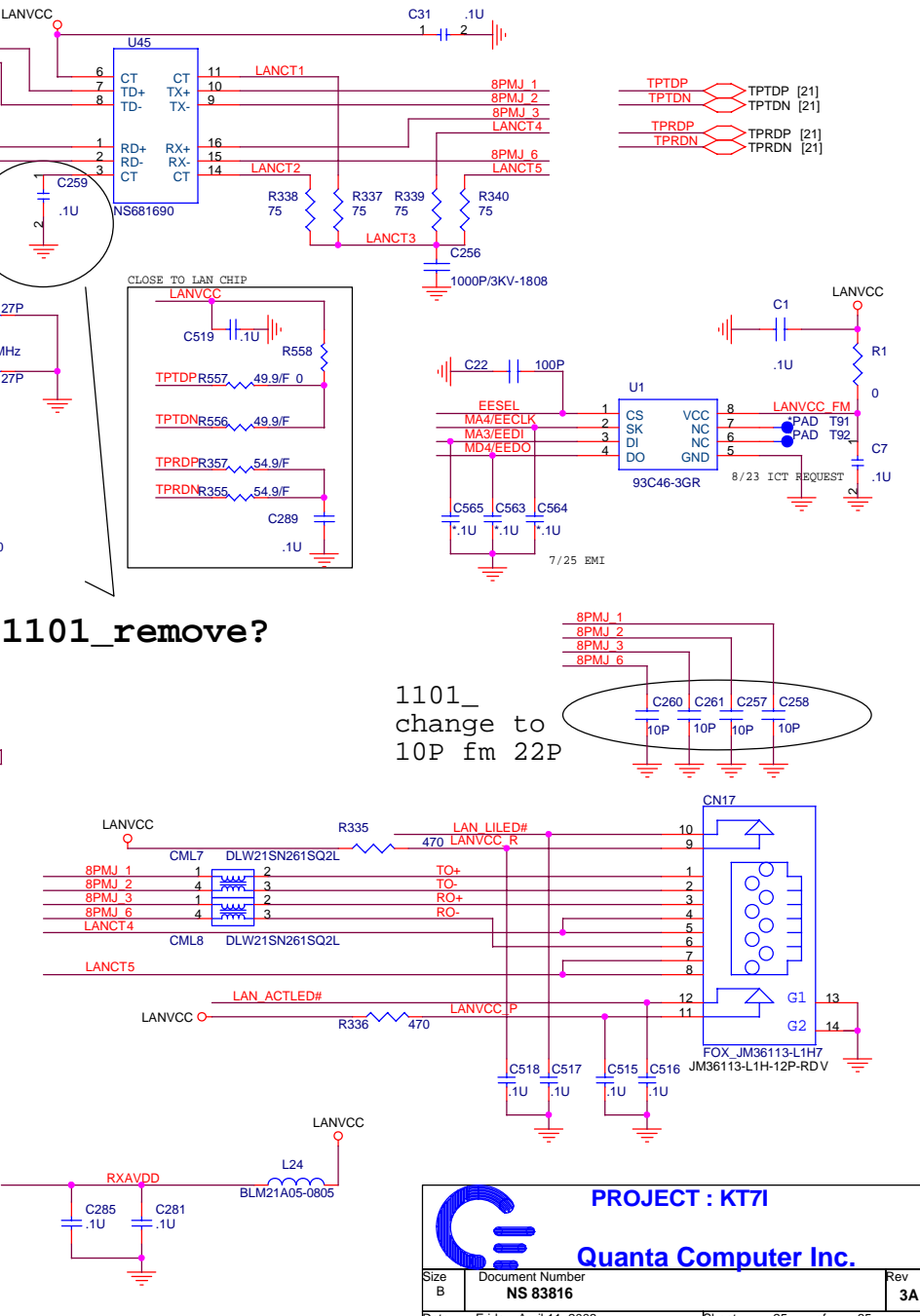
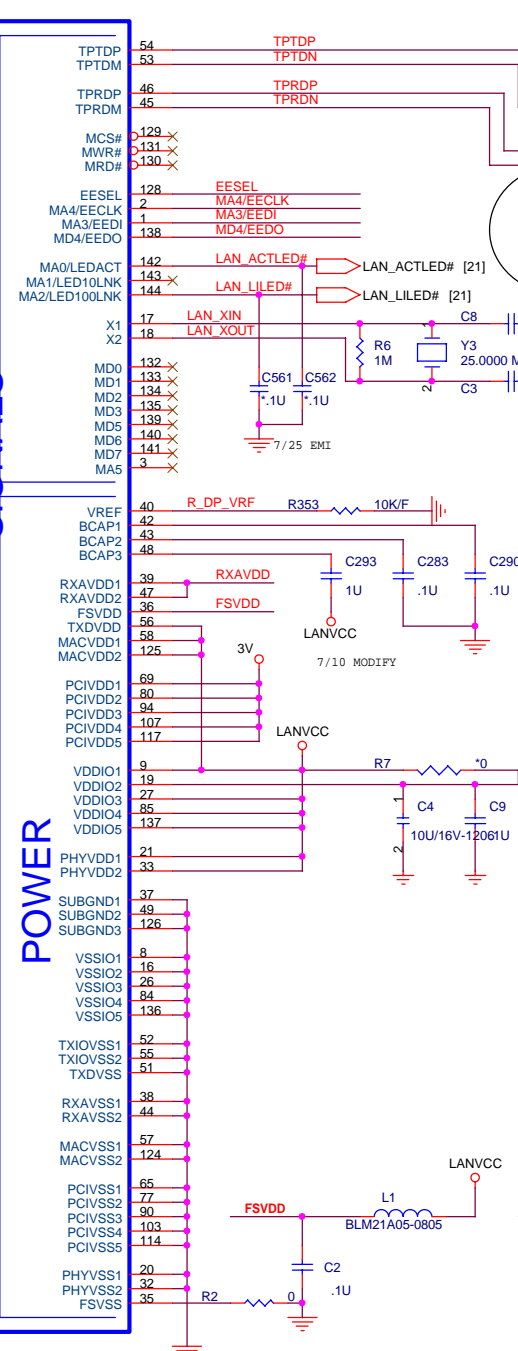
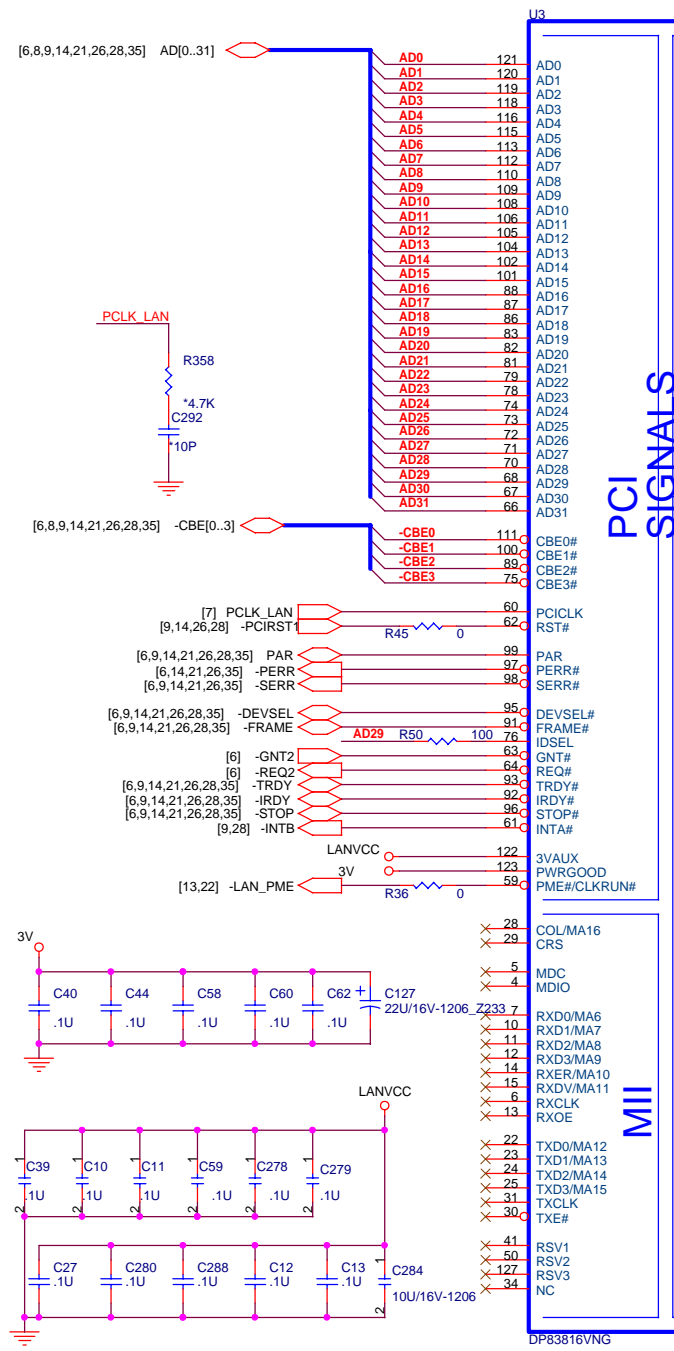
PS/2 PORT



PROJECT : KT7I

Quanta Computer Inc.

Size Custom	Document Number USB/CRT/PS2 PORT	Rev 3A
Date: Friday, April 11, 2003	Sheet 24 of 35	



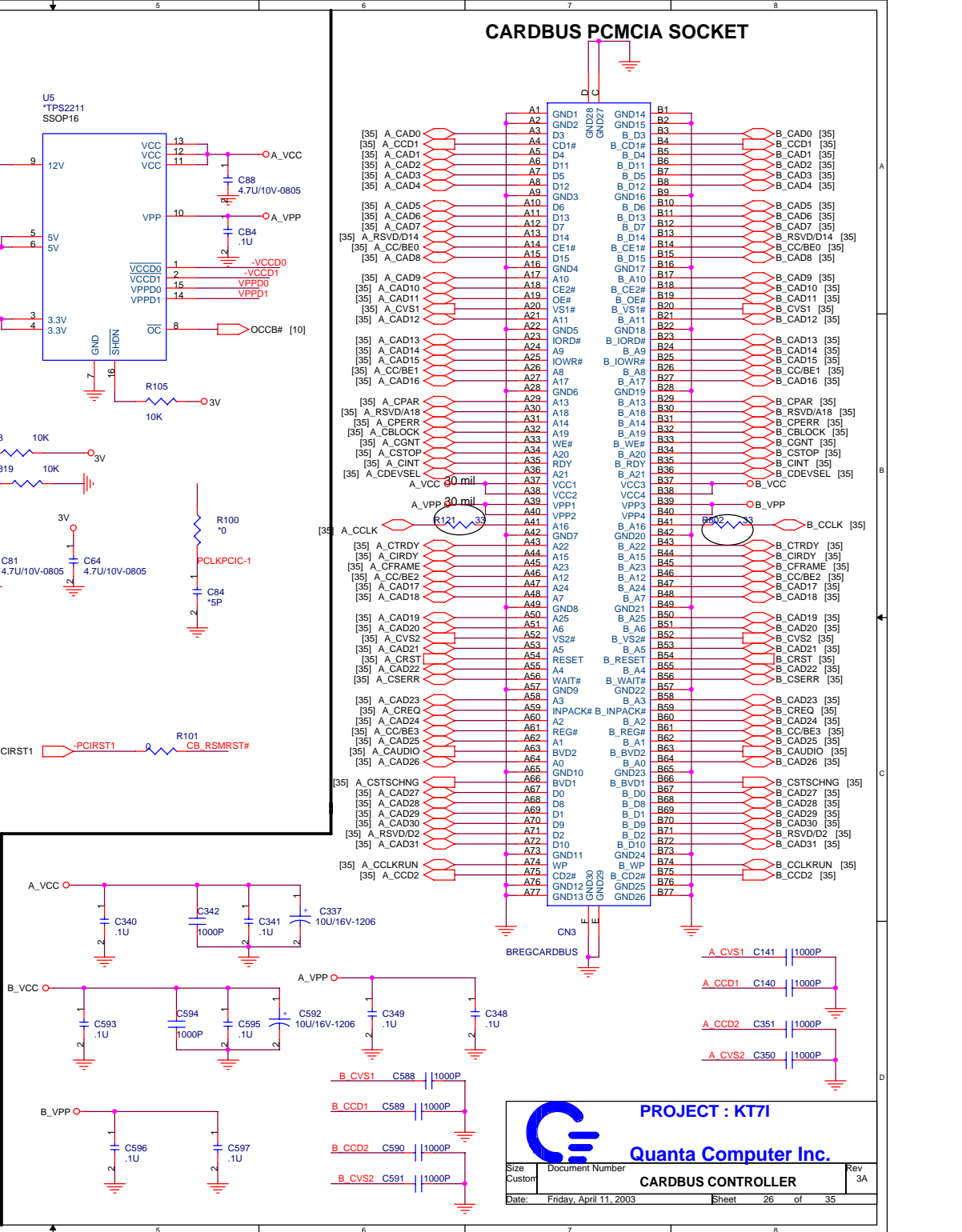
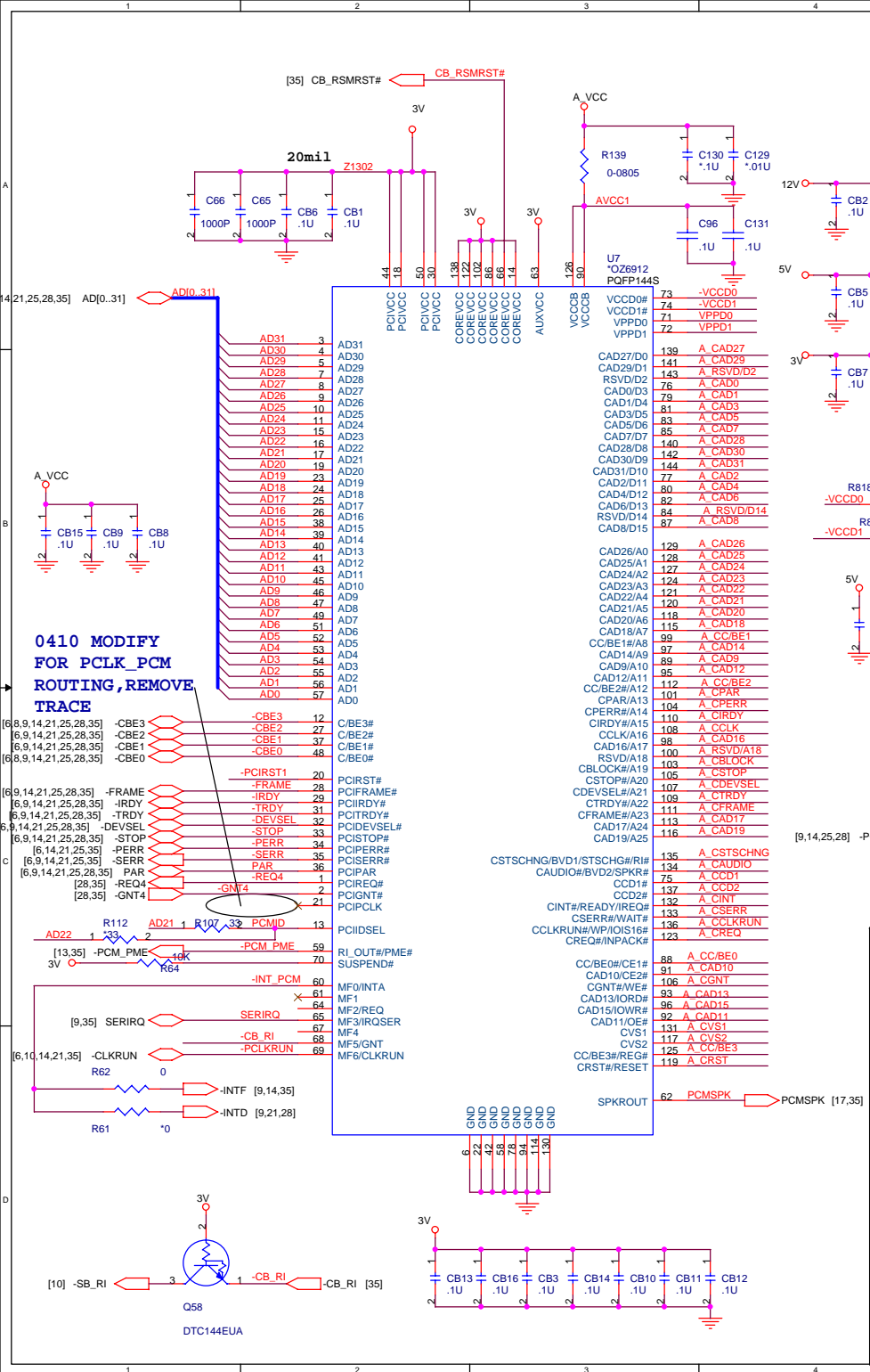
1101_remove?

1101_change to 10P fm 22P

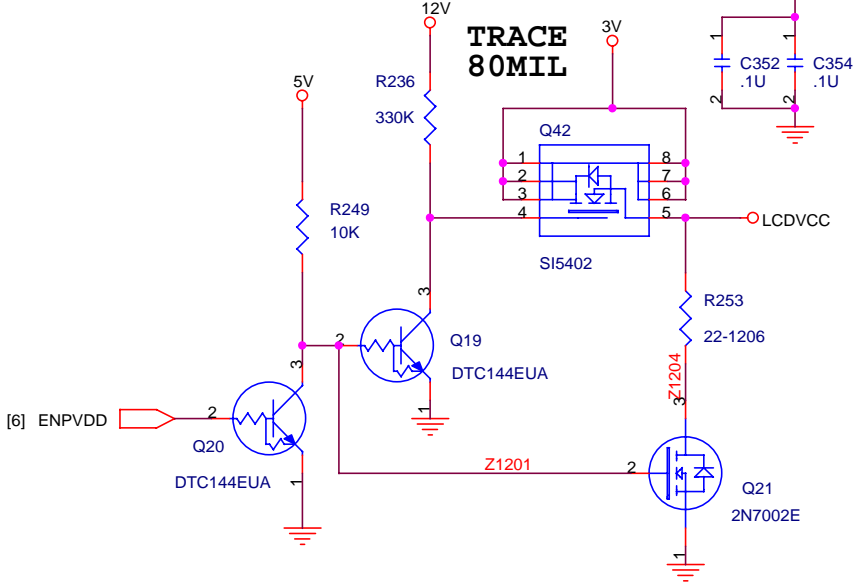
PROJECT : KT71

Quanta Computer Inc.

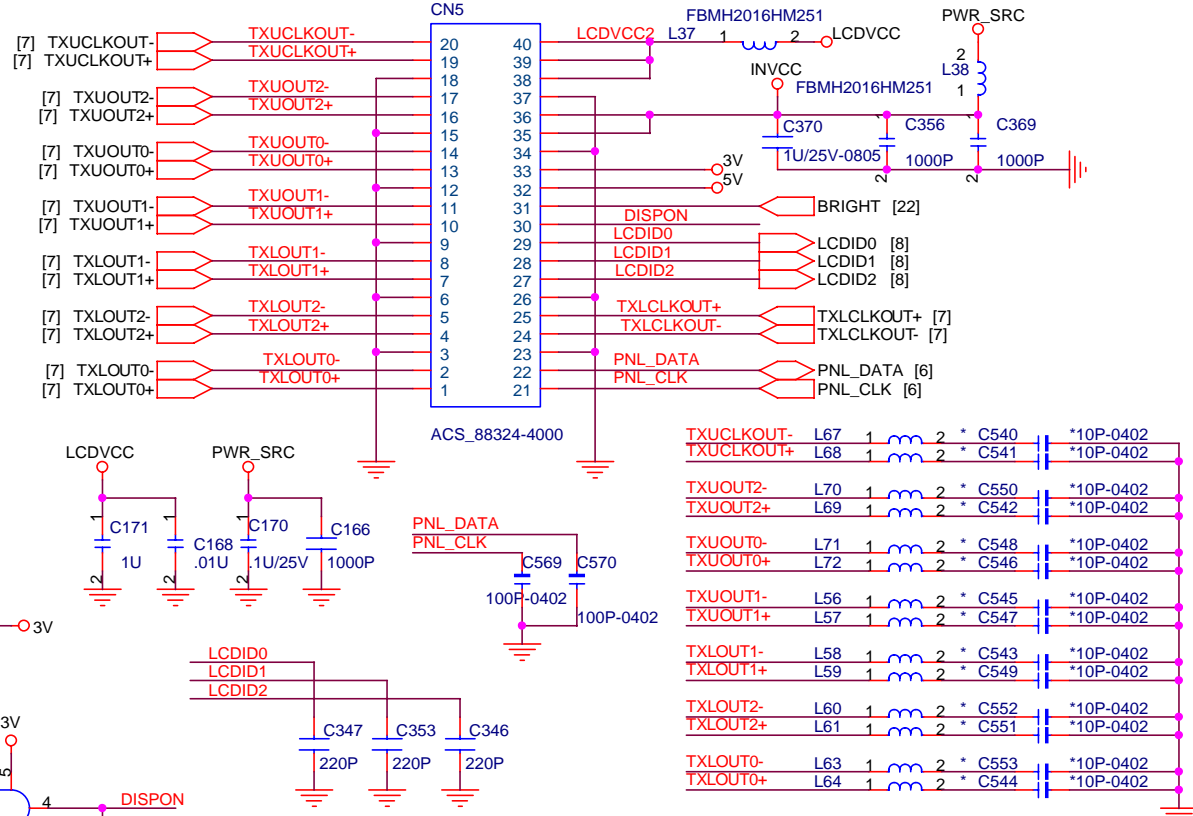
Size B	Document Number NS 83816	Rev 3A
Date: Friday, April 11, 2003	Sheet 25 of 35	



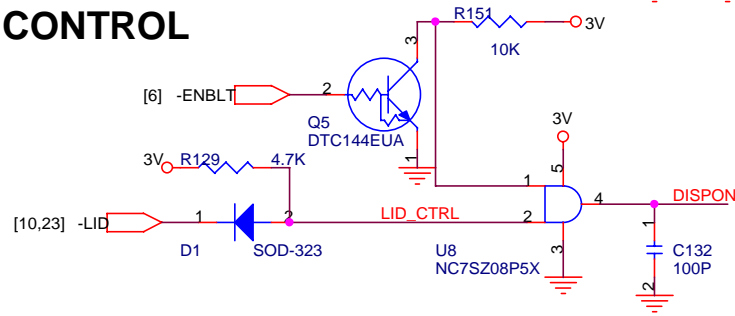
PANEL VCC CONTROL



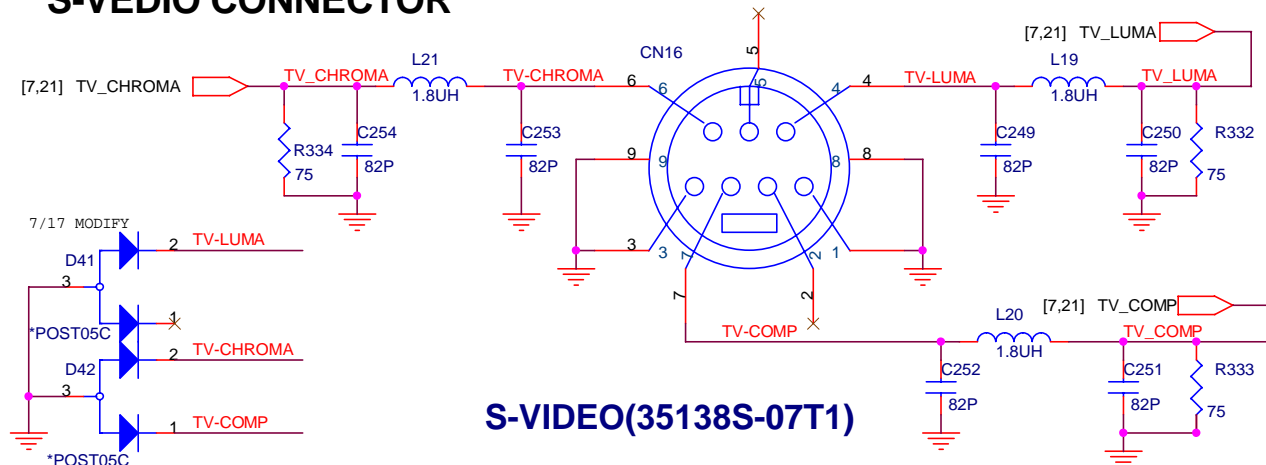
LCD INTERFACE



BACKLIGHT POWER CONTROL




S-VIDEO CONNECTOR

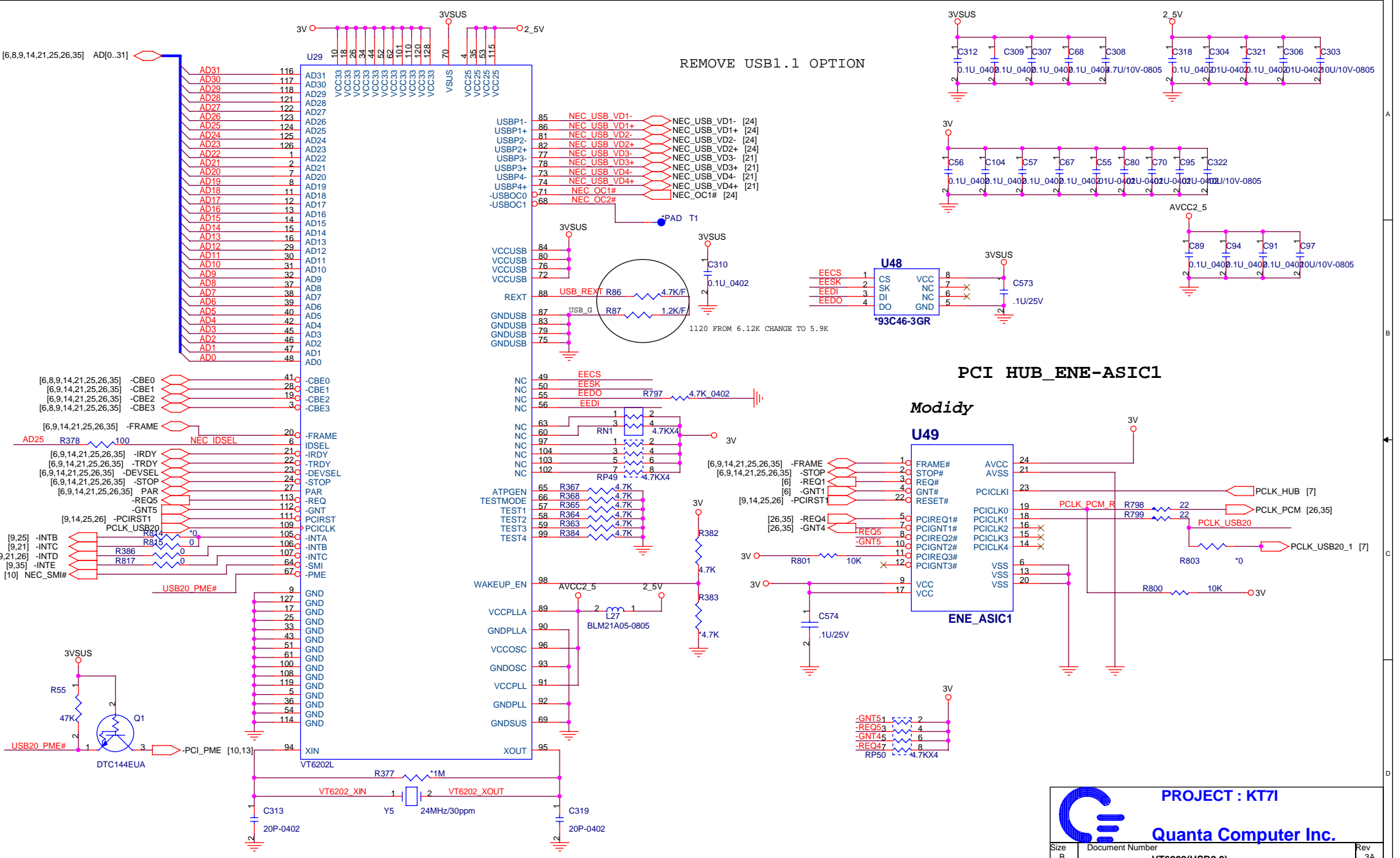


	ID2	ID1	ID0
14 XGA ID Tech/IBM ITXG77C non-spwg	1	0	0
14 XGA QDI QDI141X1LH12 spwg	1	0	1
14 XGA SAMSUNG LTN141X1F-L05 non-spwg	1	1	1
15 XGA LG PHILIPS LP150X2-A2M1 spwg-a	0	0	1
15 XGA SAMSUNG LTN150XD-L02 spwg-a	1	0	1
15 XGA SHARP LQ150X1LH82 spwg-a	1	0	1
15 SXGA+ ID Tech/IBM ITSX95C spwg-a	1	1	0
15 SXGA+ LG PHILIPS LP150E01-A2M2 spwg-a	0	1	0
15 SXGA+ SAMSUNG LTN150P2-I02 spwg-a	1	1	0
15 UXGA SAMSUNG LTN150U2-L02 spwg-a	0	1	1

0---GND 1---NC


PROJECT : KT7I
Quanta Computer Inc.

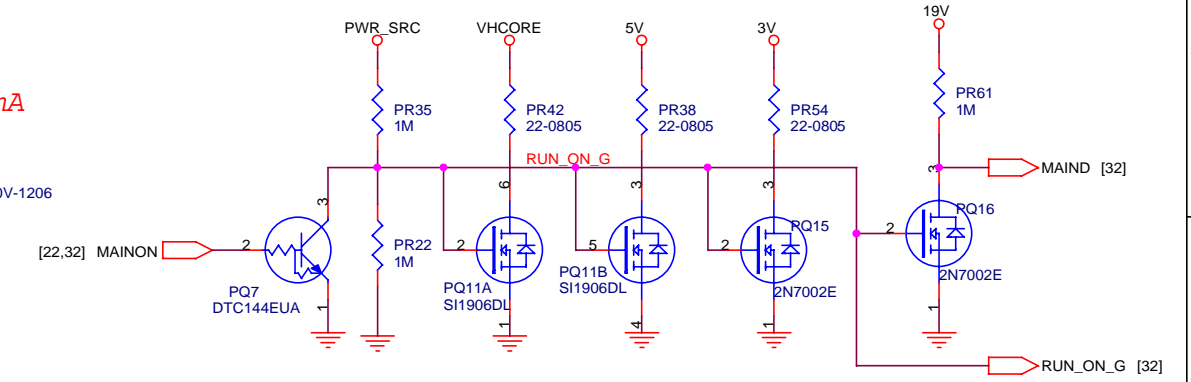
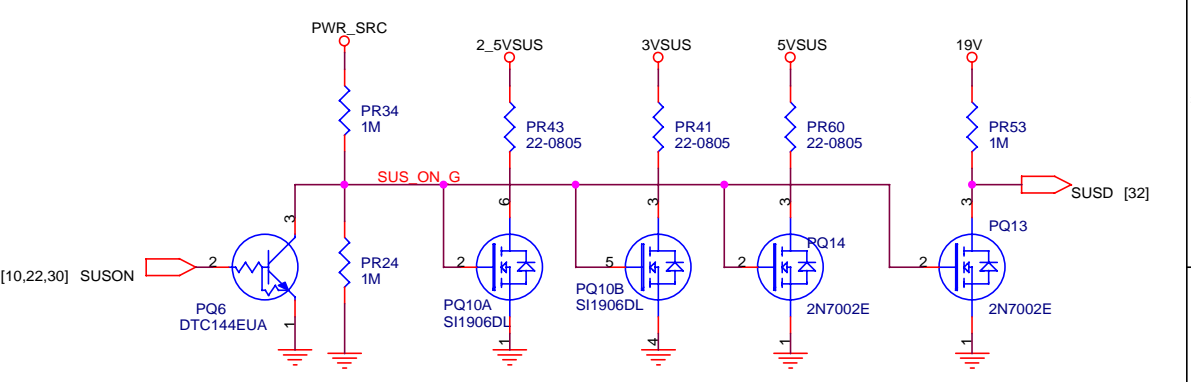
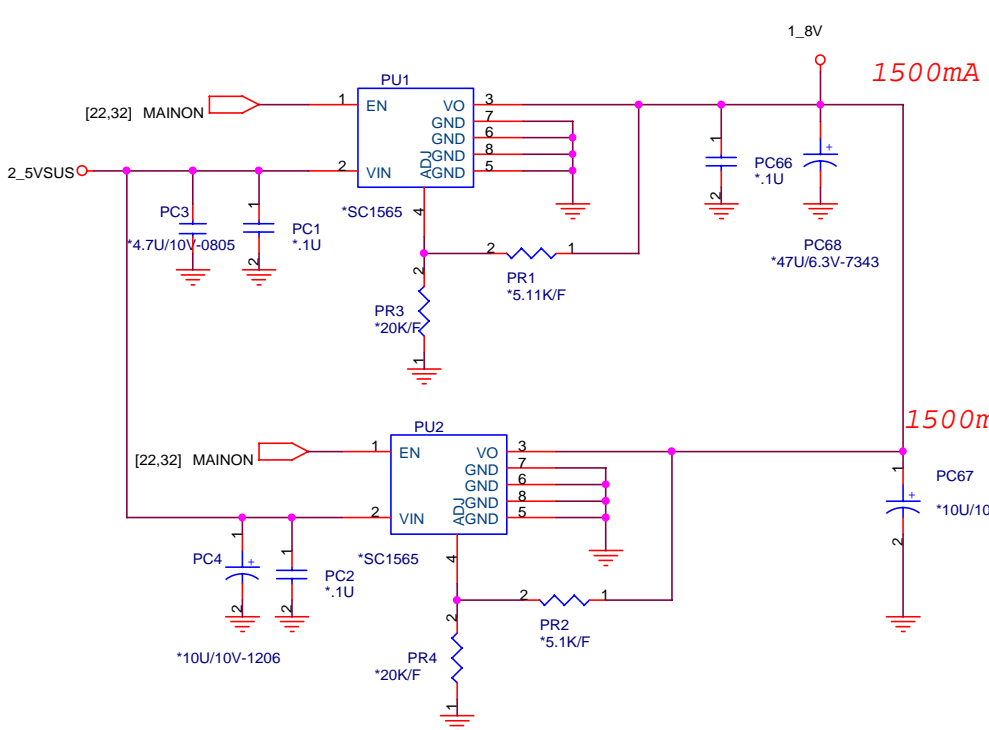
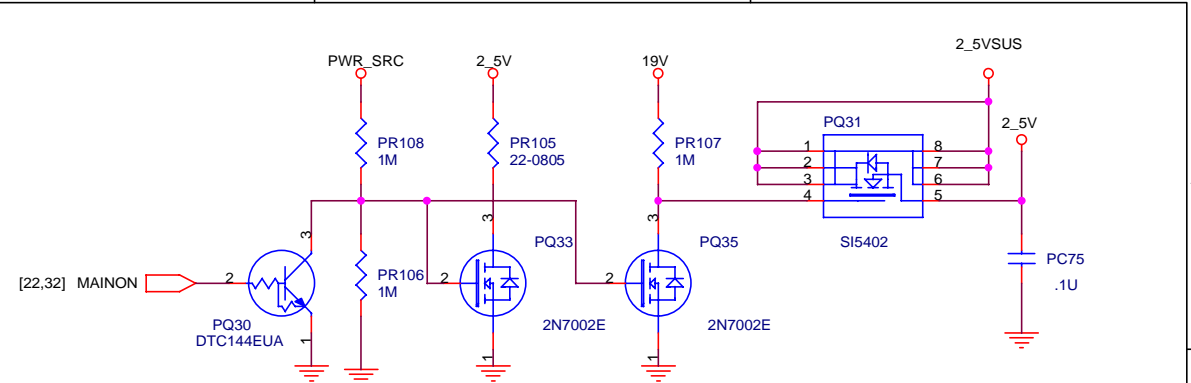
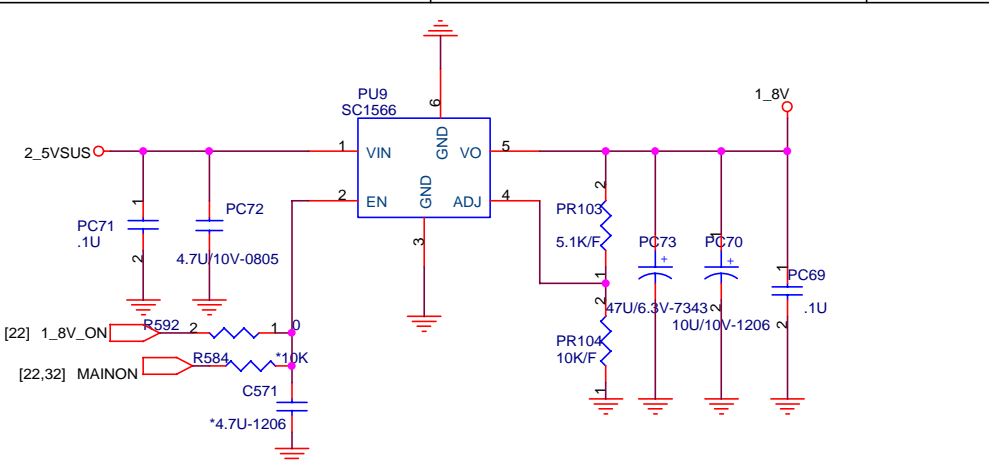
Size Custom	Document Number	Rev 3A
Date:	Friday, April 11, 2003	Sheet 27 of 35
LCD INTERFACE		



PROJECT : KT71

Quanta Computer Inc.

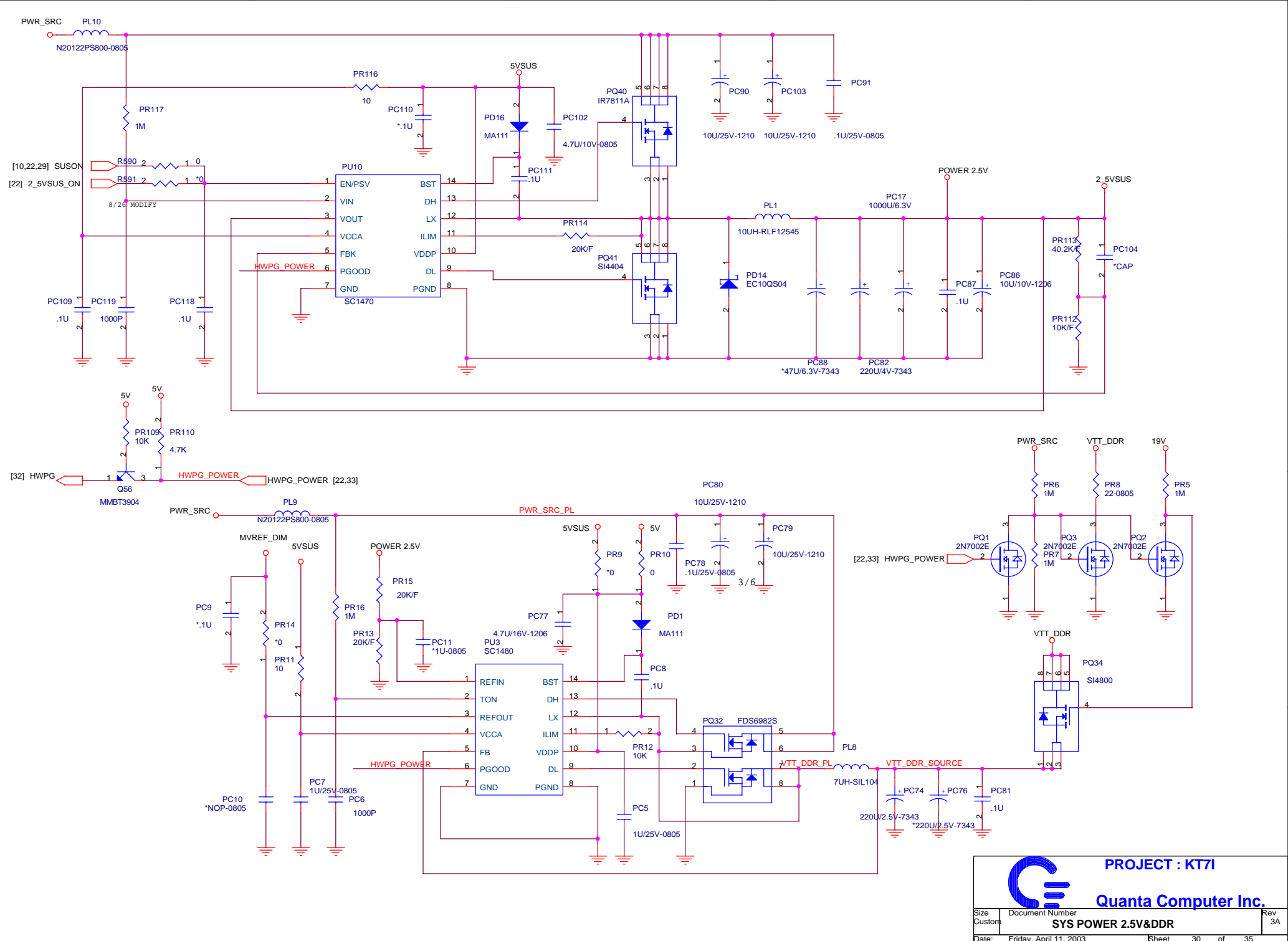
Size B	Document Number	Rev 3A
VT6202(USB2.0)		
Date: Friday, April 11, 2003	Sheet 28	of 35



PROJECT : KT71

Quanta Computer Inc.

Size	Document Number	Rev
Custom	DISCHARGE CIRCUIT	3A
Date:	Friday, April 11, 2003	Sheet 29 of 35

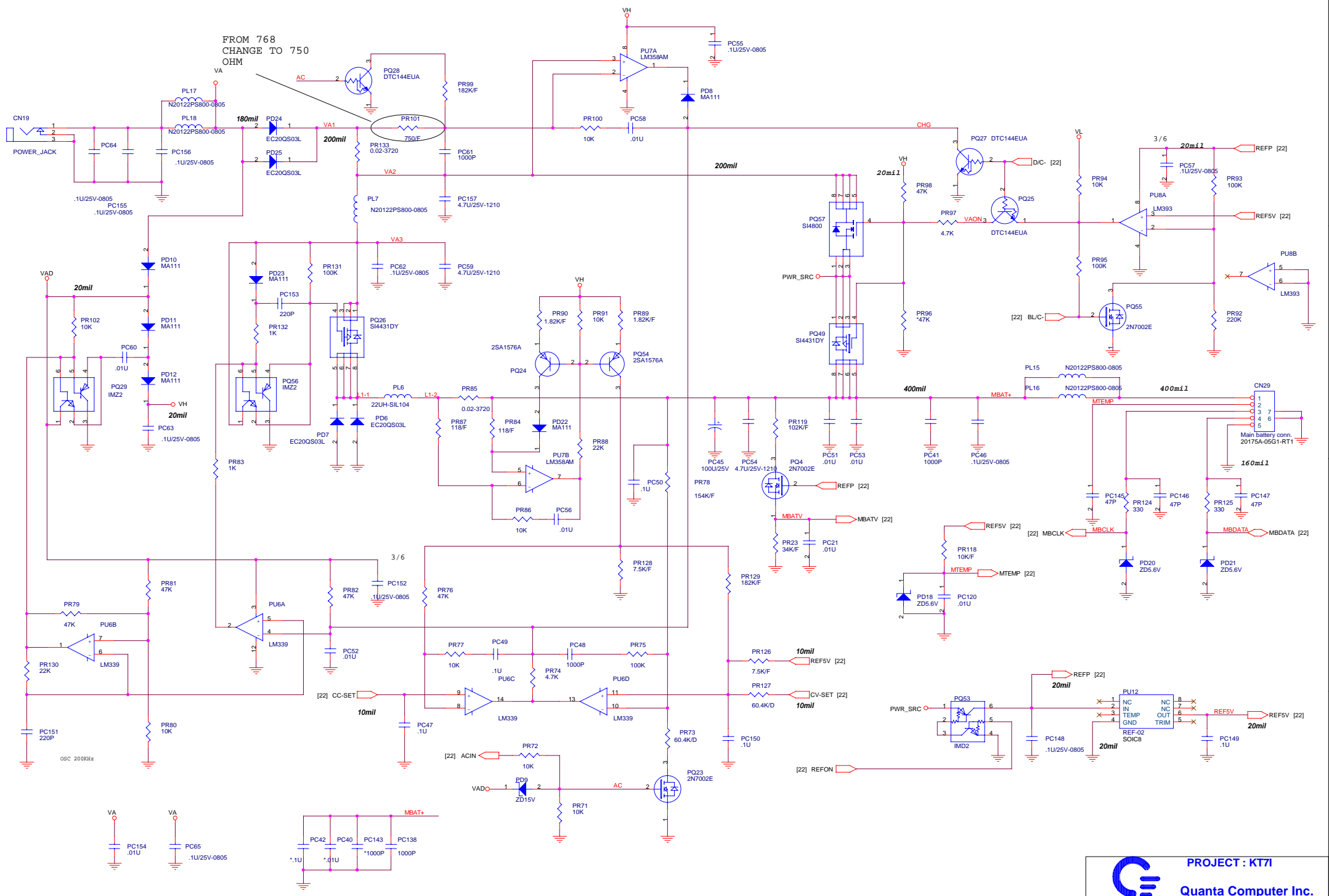



PROJECT : KT71

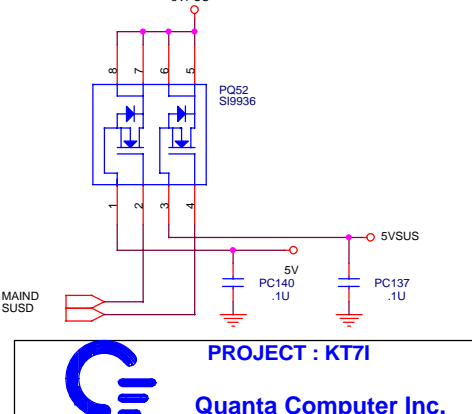
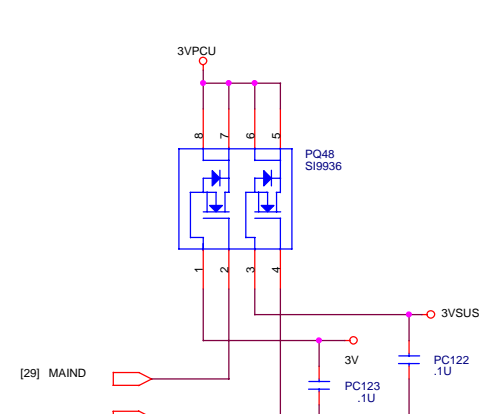
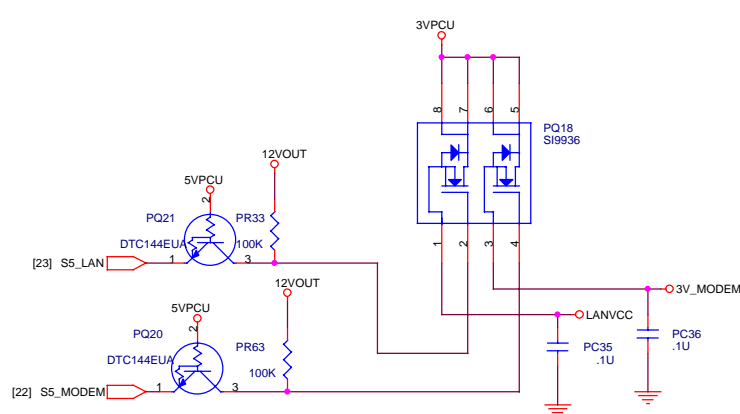
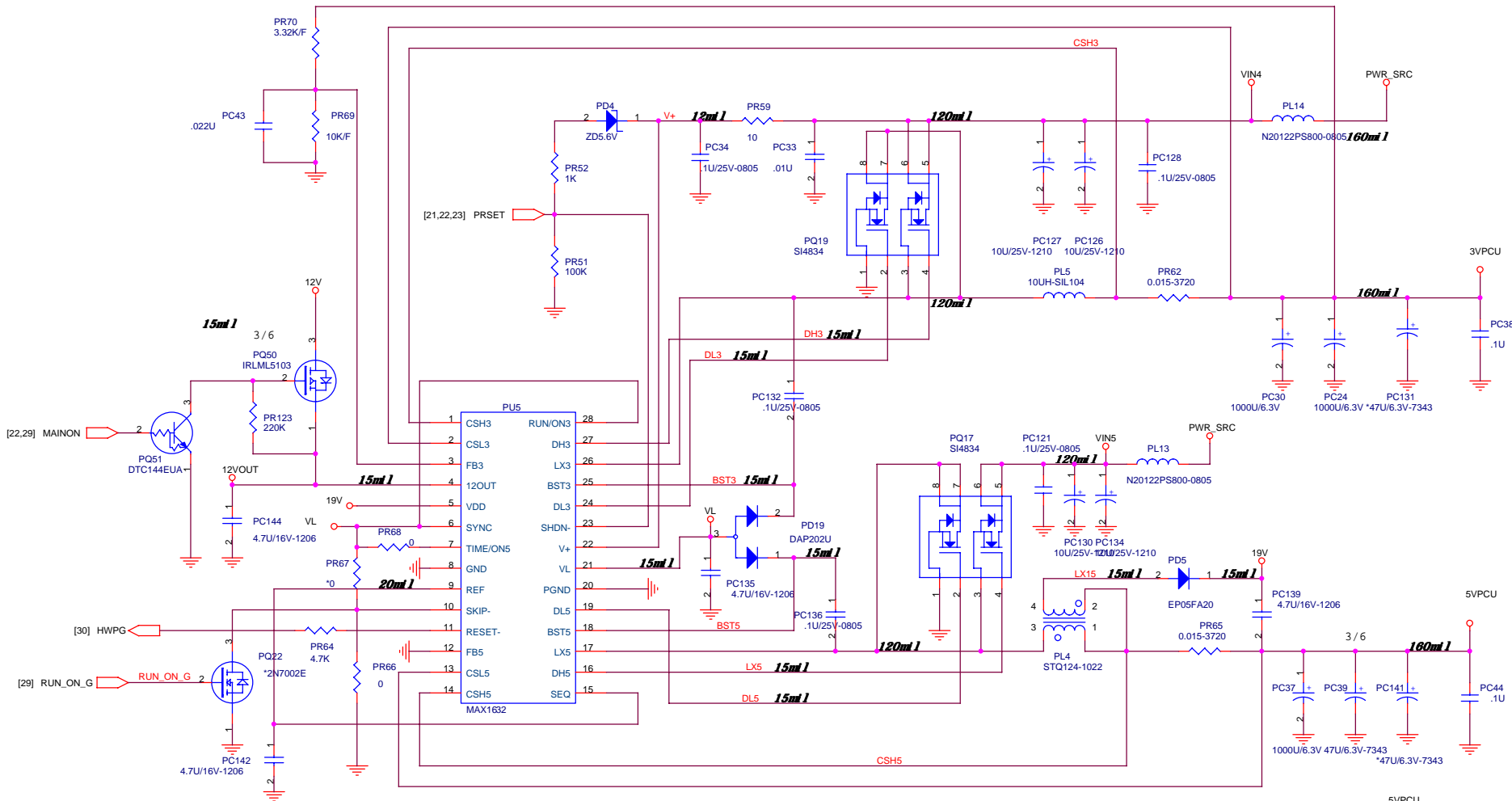
Quanta Computer Inc.


Size Custom	Document Number SYS POWER 2.5V&DDR	Rev 3A
Date: Friday, April 11, 2003		Sheet 30 of 35

FROM 768
CHANGE TO 750
OHM



			PROJECT : KT7I		
Quanta Computer Inc.			Size Custom		
BATTERY CONN&POWER JACK			Document Number 3C		
Date: Friday, April 11, 2003			Sheet 31 of 35		

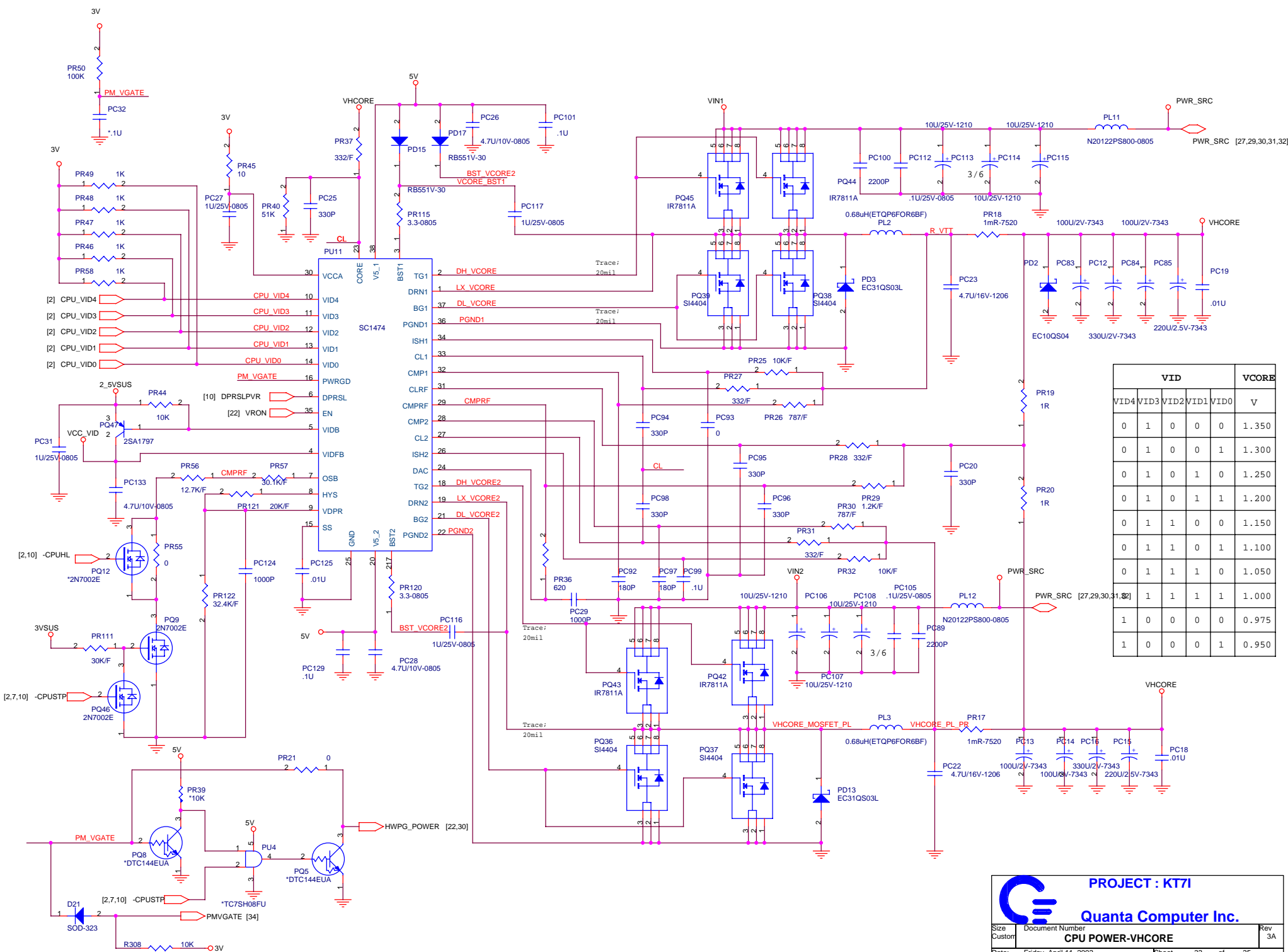




PROJECT : KT71

Quanta Computer Inc.

Size	Document Number	Sheet	Rev
Custom	SYSTEM POWER	32 of 35	3A
Date: Friday, April 11, 2003		Sheet	

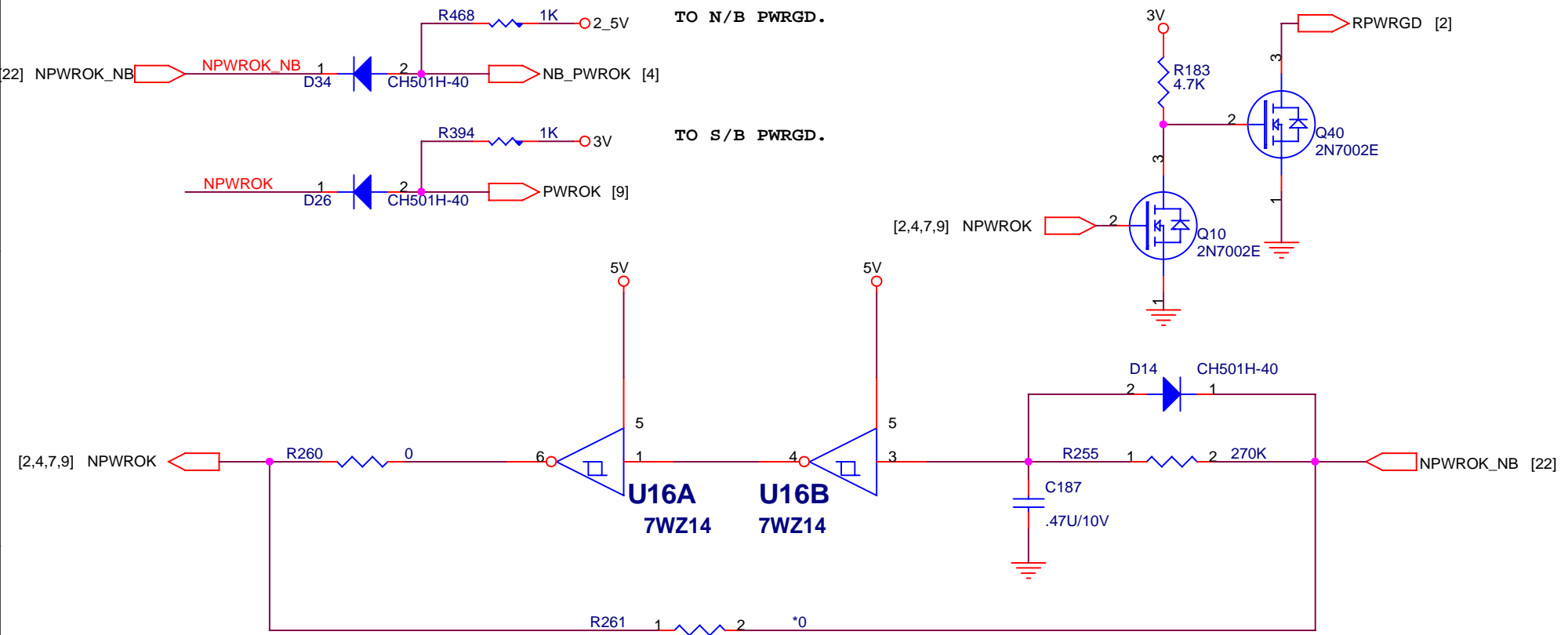


VID					VCORE
VID4	VID3	VID2	VID1	VID0	V
0	1	0	0	0	1.350
0	1	0	0	1	1.300
0	1	0	1	0	1.250
0	1	0	1	1	1.200
0	1	1	0	0	1.150
0	1	1	0	1	1.100
0	1	1	1	0	1.050
1	0	0	0	0	1.000
1	0	0	0	1	0.975
1	0	0	0	1	0.950

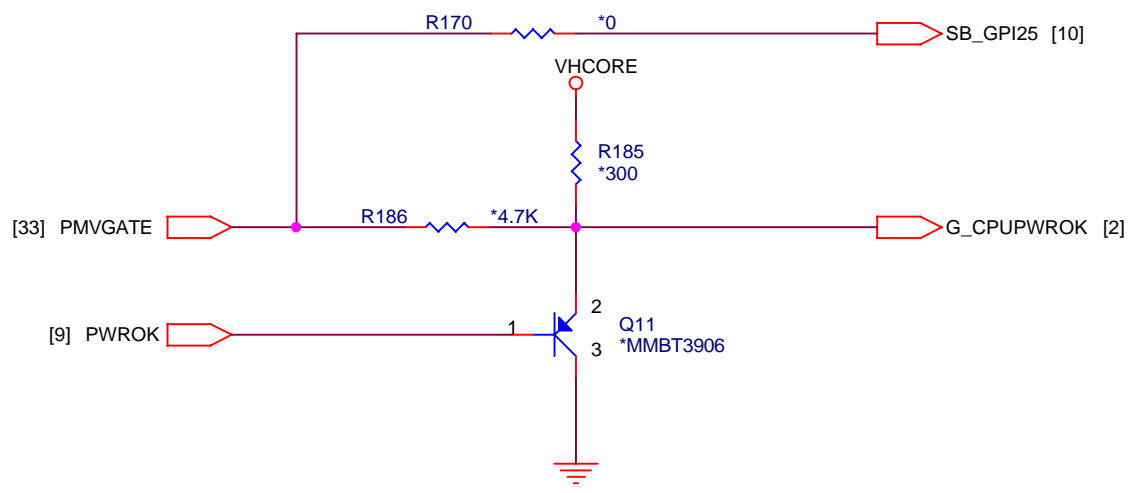
PROJECT : KT71


Quanta Computer Inc.

Size Custom	Document Number CPU POWER-VH-CORE	Rev 3A
Date: Friday, April 11, 2003	Sheet 33 of 35	



For_ATI_PWG function



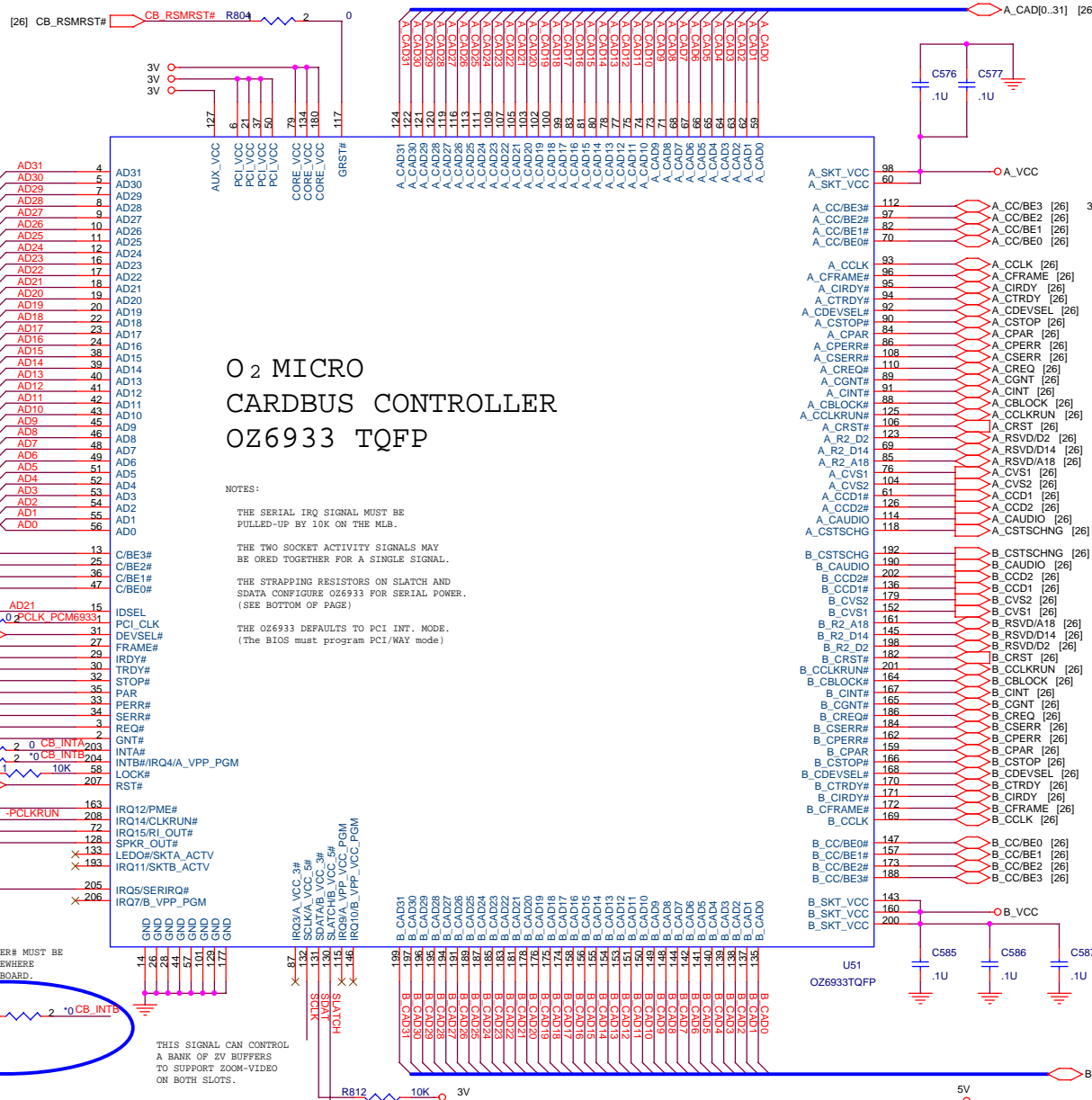


PROJECT : KT71

Quanta Computer Inc.

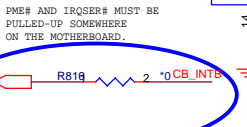
Size A	Document Number POWER GOOD CIRCUIT	Rev 3A
Date: Friday, April 11, 2003	Sheet 34 of 35	

CONNECT PIN 117 TO A_SKT_VCC = OZ6933 CONTROLLER INSTALLED
 CONNECT PIN 117 TO PCI_RST# = ONLY SUPPORT D3_HOT
 CONNECT PIN 117 TO GRST# = D3-COLD SUPPORT WITH GRST# SIGNAL



O₂ MICRO CARDBUS CONTROLLER OZ6933 TQFP

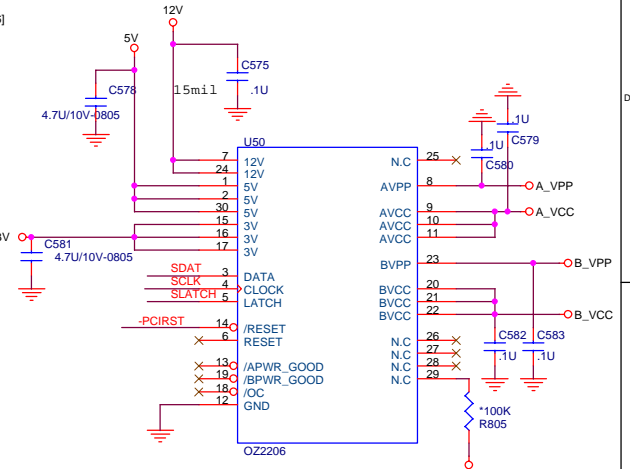
NOTES:
 THE SERIAL IRQ SIGNAL MUST BE PULLED-UP BY 10K ON THE MLB.
 THE TWO SOCKET ACTIVITY SIGNALS MAY BE ORED TOGETHER FOR A SINGLE SIGNAL.
 THE STRAPPING RESISTORS ON SLAT AND SDATA CONFIGURE OZ6933 FOR SERIAL POWER. (SEE BOTTOM OF PAGE)
 THE OZ6933 DEFAULTS TO PCI INT. MODE. (THE BIOS MUST PROGRAM PCI/WAY MODE)



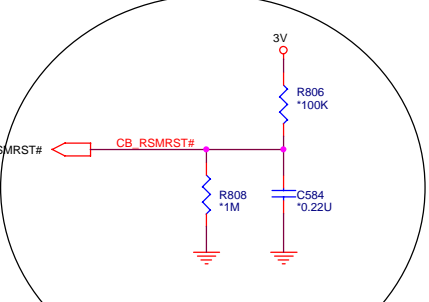
THIS SIGNAL CAN CONTROL A BANK OF 2V BUFFERS TO SUPPORT ZOOM-VIDEO ON BOTH SLOTS.

THESE RESISTORS ARE REQUIRED FOR POWER-ON STRAPPING IN ORDER TO GUARANTEE CORRECT POWER SWITCH MODE.

SERIAL POWER CONTROL



TI TPS2206 DUAL-SLOT SERIAL



PROJECT : KT71
Qnanta Computer Inc.

Size	Document Number	Rev
Custom	PCMCIA-OZ6933	2A
Date:	Friday, April 11, 2003	Sheet 35 of 35