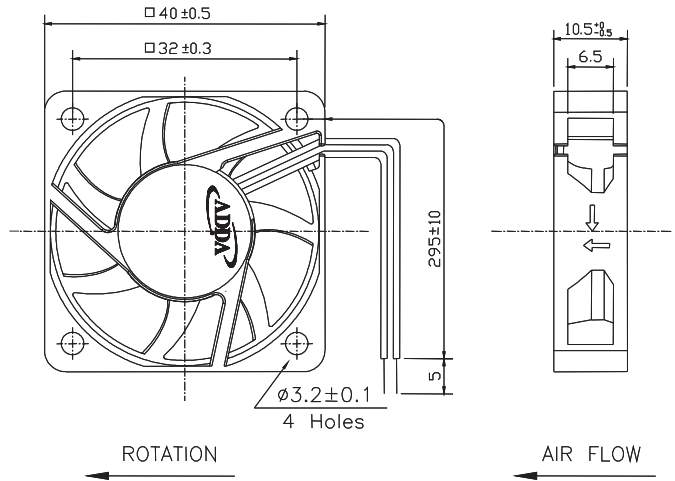




# AG4010 SERIES



## External Dimensions



Frame: Plastic (UL: 94V-0)  
 Impeller: Plastic (UL: 94V-0)  
 Lead wire: UL 1007 AWG 26

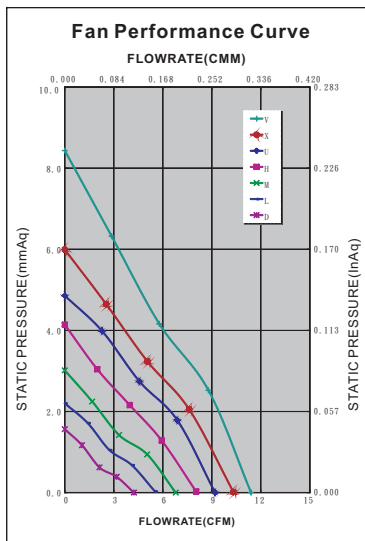
## Specifications (Nominal)

\*Noise is measured at the distance of one (1) meter from the axis of intake.

Bearing type: ☉=Ball ※=Sleeve ●=Hypro bearing

Frame size (mm)	Model No.	Bearing System Type	Rated Voltage (VDC)	Current (A)	Power (W)	Rated Speed (rpm)	Maximum AirFlow (CMM)	Maximum AirFlow (CFM)	Maximum Pressure (InAq)	Maximum Pressure (mmAq)	*Noise Level (dB/A)	Weight (g)
40x40x10	AG04005DB107100	☉ ●	5	0.06	0.30	4000	0.118	4.200	0.060	1.524	20.0	14.0
	AG04005LB107100	☉ ●	5	0.08	0.40	5000	0.154	5.460	0.086	2.184	25.0	
	AG04005MB107100	☉ ●	5	0.10	0.50	6000	0.192	6.810	0.120	3.048	30.0	
	AG04005HB107100	☉ ●	5	0.15	0.75	7000	0.227	8.040	0.163	4.140	34.0	
	AG04005UB107100	☉ ●	5	0.20	1.00	8000	0.260	9.190	0.190	4.826	37.0	
	AG04005XB107100	☉ ●	5	0.26	1.30	9000	0.291	10.310	0.234	5.943	41.0	
	AG04012DB107100	☉ ●	12	0.05	0.60	4000	0.118	4.200	0.060	1.524	20.0	
	AG04012LB107100	☉ ●	12	0.06	0.72	5000	0.154	5.460	0.086	2.184	25.0	
	AG04012MB107100	☉ ●	12	0.07	0.84	6000	0.192	6.810	0.120	3.048	30.0	
	AG04012HB107100	☉ ●	12	0.08	0.96	7000	0.227	8.040	0.163	4.140	34.0	
	AG04012UB107100	☉ ●	12	0.10	1.20	8000	0.260	9.190	0.190	4.826	37.0	
	AG04012XB107100	☉ ●	12	0.13	1.56	9000	0.291	10.310	0.234	5.943	41.0	
	AG04012VB107100	☉	12	0.17	2.04	10000	0.320	11.400	0.330	8.430	44.0	

Specifications subject to change without notice.



\*Motor protective circuit and third lead wire functions

0	1	2	3	4	6	7	8	9	A	B
✓	✓	✓	✓		✓			✓		✓

\*Safety approvals

✓	✓		✓	✓