

## CL16 LED pattern & gobo projector



CL16 is a high-definition LED pattern & gobo projector product series jointly designed and developed by China and Europe.

CL16 adopts an aluminum alloy shell, which is sturdy, durable, and looks beautiful in appearance. The light source part uses high-standard LED light source, which has high light efficiency, high stability and long service life. The optical part adopts a high-definition imaging lens combination with linear zoom, which is coated with high-quality anti-reflection coating, has very high resolution, and the projected light spot is uniform and without chromatic aberration.

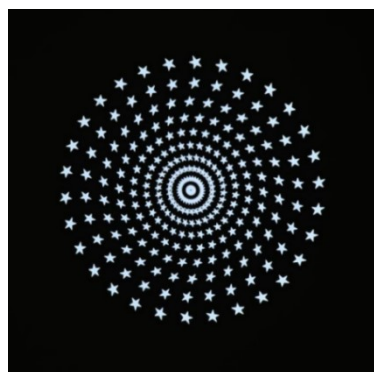
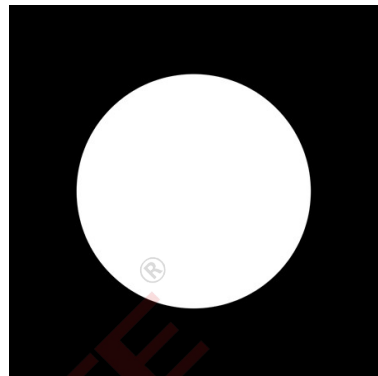
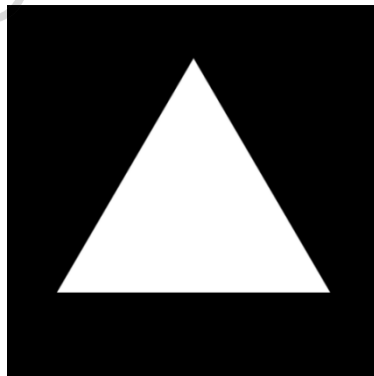
The innovative tail knob zoom design enables linear zoom and sharpness adjustment within the angle range. The adjustment operation becomes simple and there is no loss of light efficiency during the adjustment process. The pattern piece is placed in a magnetic fixed compartment. The clamping force is stable enough so that the pattern piece will not shift during use. The pattern piece can be quickly removed from the fixed compartment by pressing and extracting to replace the pattern piece and set the pattern piece. A rotatable knob is provided to adjust the direction of the pattern.

In addition to pattern projection, the lamp also integrates a light-cutting function. It has four light-cutting blades that can cut out different light spot shapes. The lamp is powered by a rail box or power box, and has a knob to achieve linear stepless dimming. CL16 series LED high-definition pattern projection cut-light lights are suitable for lighting scenarios such as museums, exhibition halls, cultural and art projections, cultural tourism projections, commercial LOGO projections, commercial shooting and live broadcast lighting.

### Parameters:

- Light source: high specification LED
- Dimming: knob type, stepless dimming
- Optical system: high-definition imaging lens combination, multiple groups of linear zoom / multiple groups of fixed focus
- Optical performance: high resolution, capable of resolving 2 $\mu$ m pixel units, no chromatic aberration
- Projection direction: ① Universal joint model: rotation adjustment, horizontal 0°~330°, vertical 0°~90° adjustable ② Crane arm model: horizontal 0°~355°, vertical 0°~150° adjustable
- Power supply: AC100~240V/50~60Hz, please refer to the corresponding model packaging for details
- Installation: Default three-wire track type, optional crane installation
- Working environment temperature: -20°C~40°C
- Lamp weight: about 0.63 kg (excluding packaging), the weight of different models will vary, please refer to the corresponding model packaging for details
- Accessories: safety rope
- Outer packaging size: 338×228×118mm

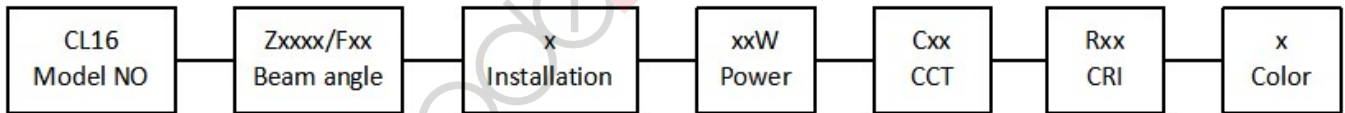
Projection effect:



Model selection:

| No. | Model No. | Zoom range | Gobo   | Projection Ratio | Outline Dimension |
|-----|-----------|------------|--------|------------------|-------------------|
| 1   | CL16Z1525 | 15~25°     | ≤14 mm | 1:0.25~0.44      | 276×152×80mm      |
| 2   | CL16Z2238 | 22~38°     | ≤14 mm | 1:0.39~0.69      | 256×152×80mm      |

Selection instruction:

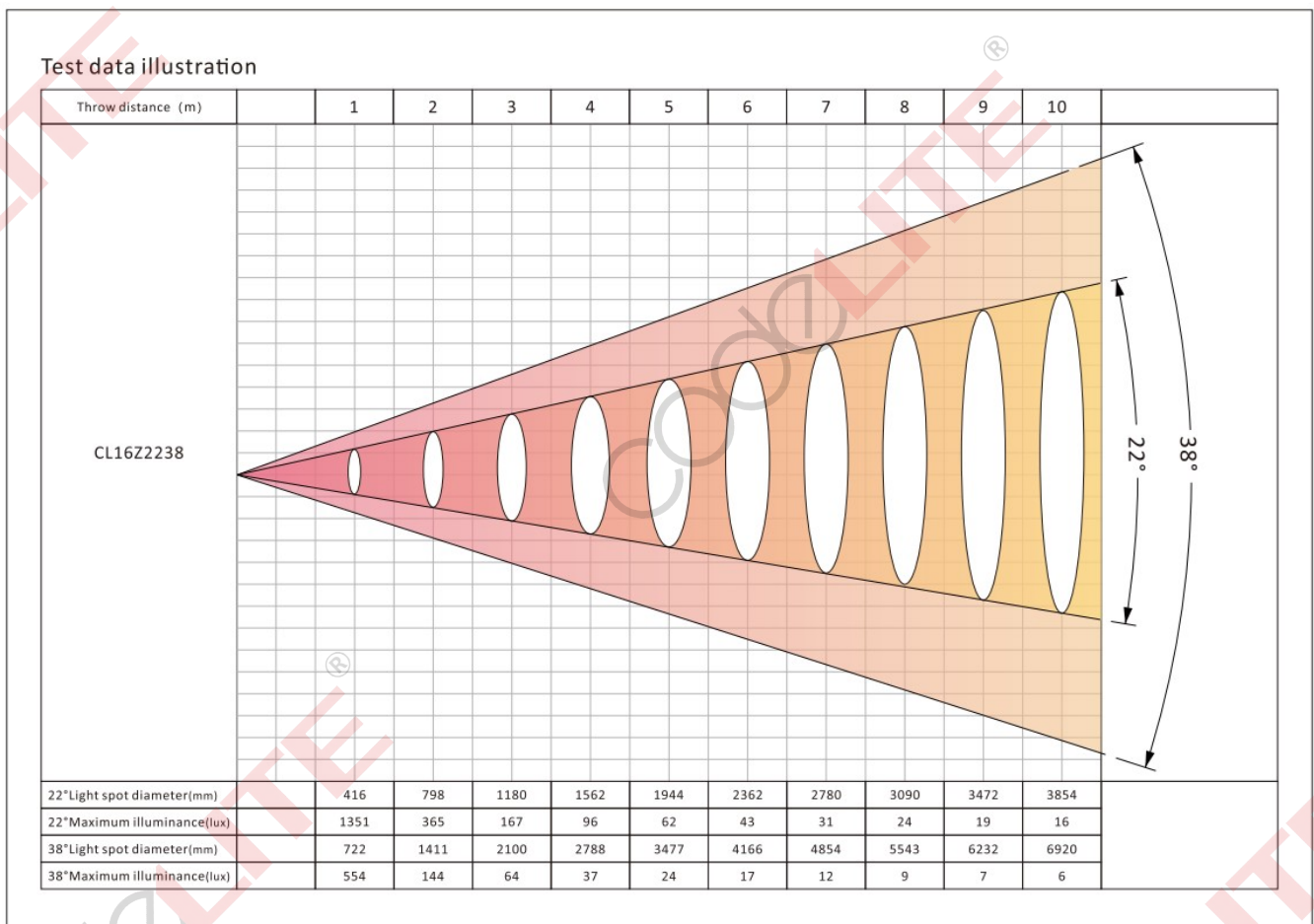
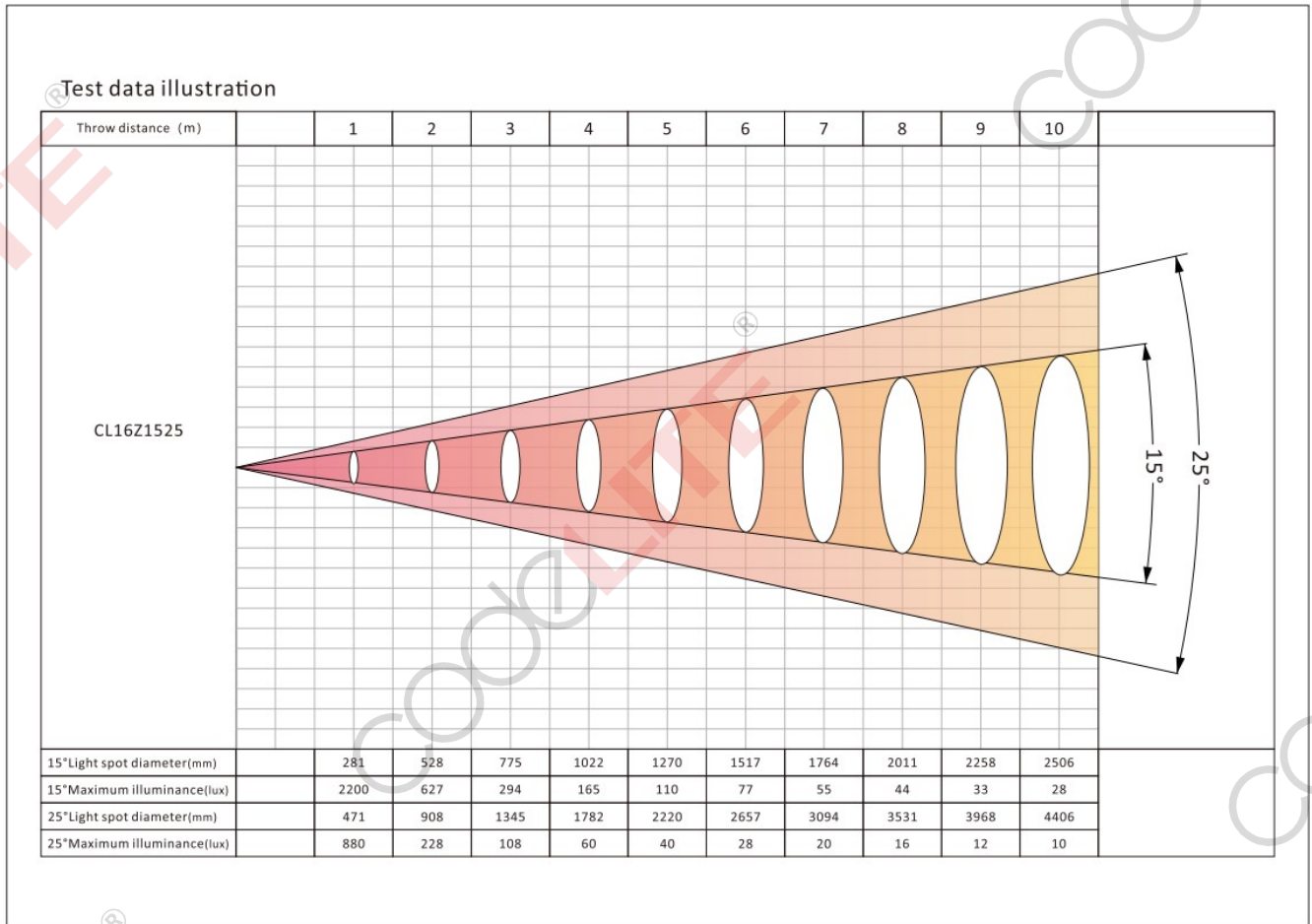


| Model No. | Beam Angle  | Installation  | Power                        | CCT  | CRI  | Color   |
|-----------|---|---|------------------------------|--|--|---|
| CL16      | Zoom <input type="checkbox"/> Z+range<br>F <input type="checkbox"/> F+angle | Track <input type="checkbox"/> G<br>Magnetic <input type="checkbox"/> C<br>Hoisting <input type="checkbox"/> D<br>Recessed <input type="checkbox"/> Q | 10W <input type="checkbox"/> | 3000K <input type="checkbox"/> C30<br>4000K <input type="checkbox"/> C40<br>5700K <input type="checkbox"/> C57<br>6500K <input type="checkbox"/> C65<br>Variable <input type="checkbox"/> DS | CRI70 <input type="checkbox"/> R70<br>CRI90 <input type="checkbox"/> R90<br>CRI95 <input type="checkbox"/> R95 | W <input type="checkbox"/> White<br>B <input type="checkbox"/> Black<br>C <input type="checkbox"/> Customized |

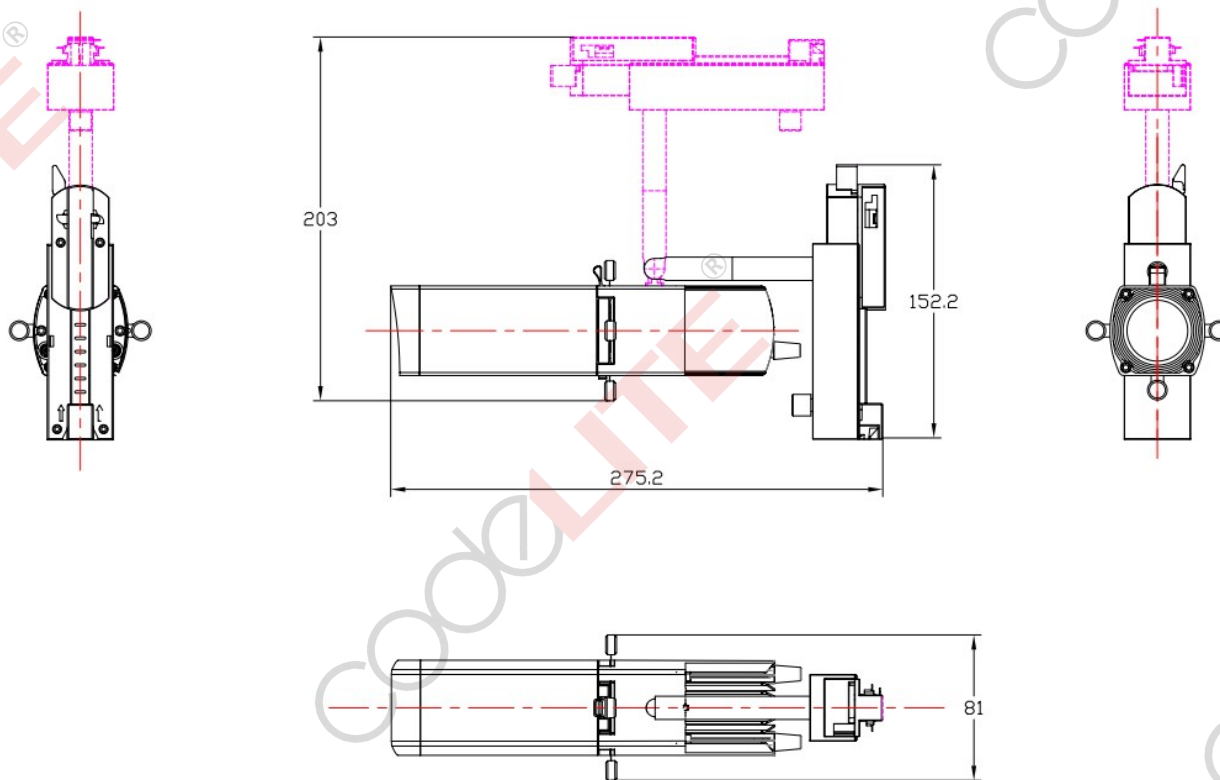
Example: CL16-Z1525-G-10W-C65-R70-B:

- Beam angle: zoom 15~25°
- Power: 10W
- CCT: 6500K
- CRI: Ra70
- Color: black

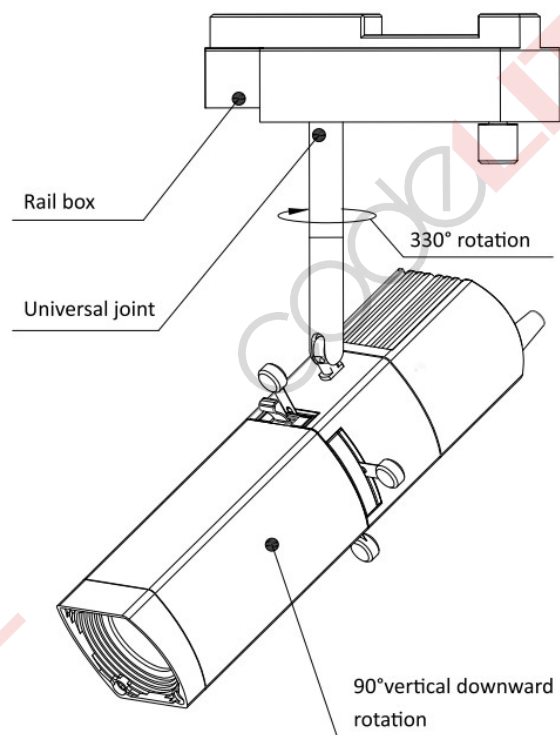
Test data illustration:

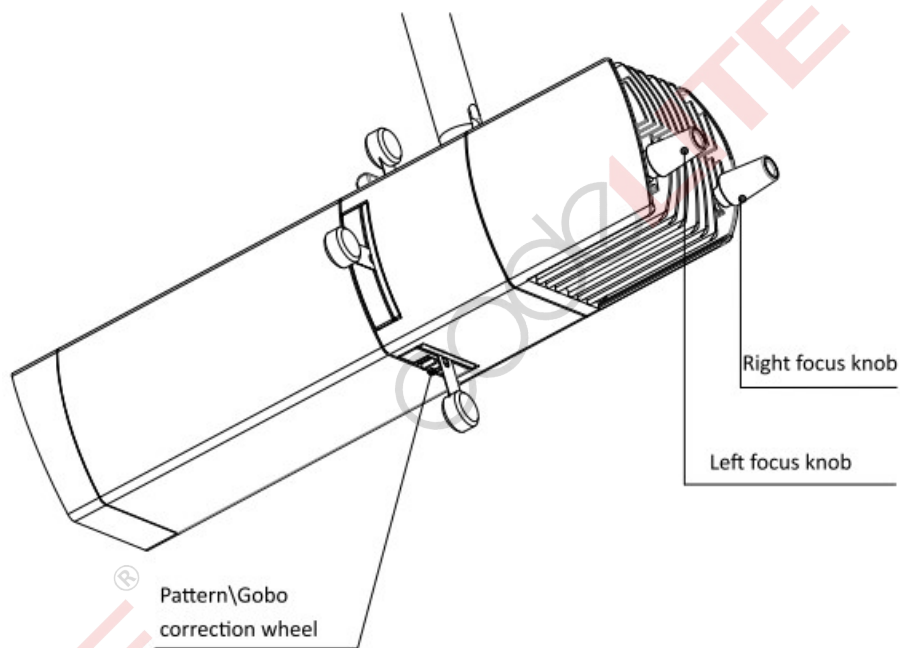
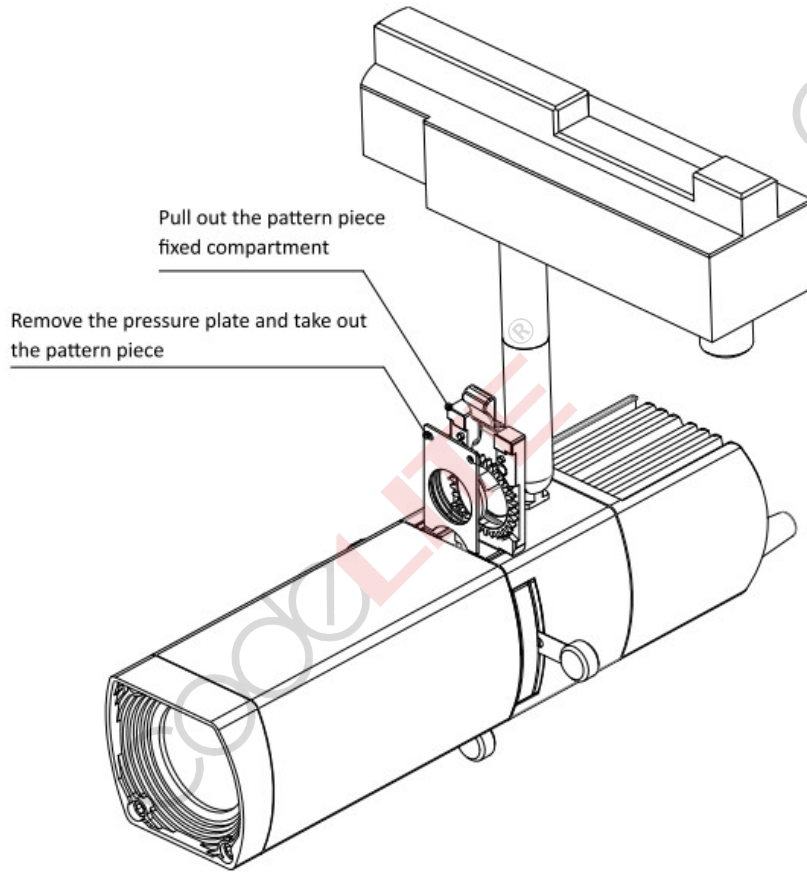


Product appearance



Installation and adjustment instructions:





**Precautions:**

- This product should be avoided from being used in high temperature environments for long periods of time;
- The protection level designed for this product is IP20. Use in environments beyond this range should be avoided;
- This product cannot be directly connected to mains power without a driver;
- Use within a safe voltage range, otherwise it will affect the product life and even cause damage;
- The power supply should be cut off before installation to avoid electric shock injury;
- This product cannot be cleaned or disassembled directly;
- Because our company's products are constantly being improved, the design, specifications or instructions are subject to change without prior notice.