

CL25 LED Pattern Projection Cutting Light



Product Introduction:

The CL25 series of high-definition LED pattern and gobo projection lights boasts a collaborative design effort between China and Europe, embodying cutting-edge technology. Crafted primarily from aluminum alloy, the CL25 light's main structure undergoes an oxidation process resulting in a matte black finish, ensuring both durability and a stylish aesthetic. It utilizes high-grade LED as the light source, delivering exceptional luminous efficiency, remarkable stability, and an ultra-long lifespan.

The optical part of the CL25 features a patented variable optical imaging system. The lens boasts an impressive resolution capable of discerning pixel units as small as 2 microns, producing highly uniform light spots devoid of color fringing (such as blue and yellow). Furthermore, it achieves continuous linear zoom across the entire angle range. Conveniently located near the heat dissipation fins at the rear of the light body, a rotary adjustment button facilitates smooth zoom operations without compromising luminous efficiency during adjustments.

Equipped with a magnetic clip, the CL25 securely holds the gobo plate in place, while a dedicated knob allows for easy rotation to attain the precise projection display. The light also integrates a four-blade structure for profile-cutting, enabling the creation of diverse light spot shapes.

The dedicated split power supply driver box offers continuous brightness control, adjustable from 0 to 100%, providing unparalleled versatility.

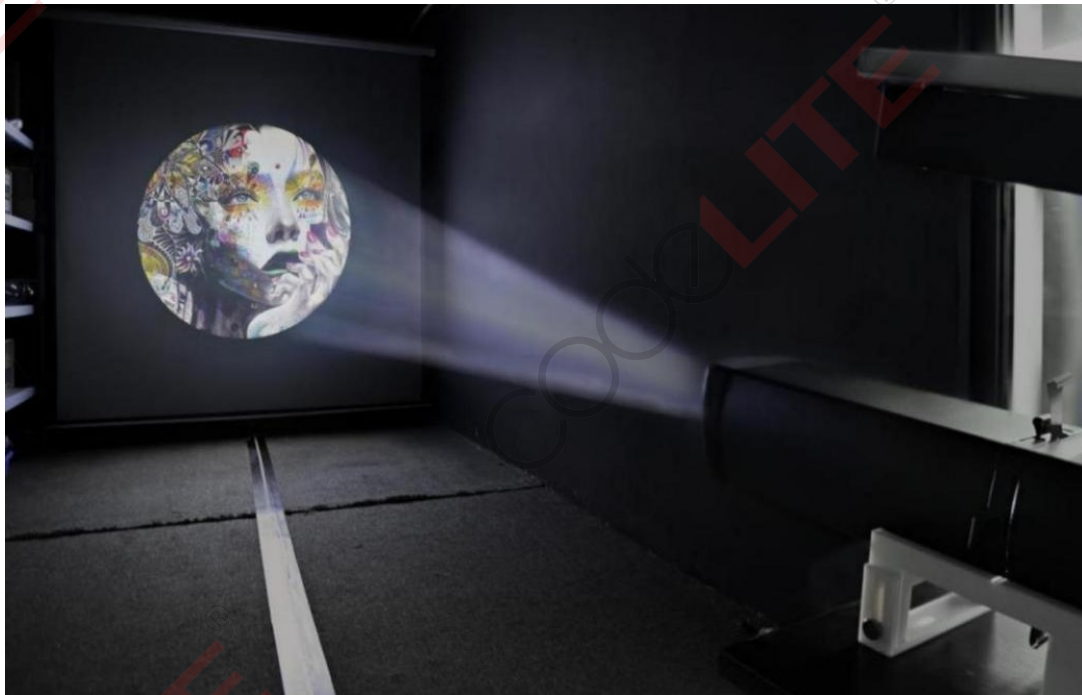
The CL25 lights are ideally suited for a wide array of projection lighting applications, including stage

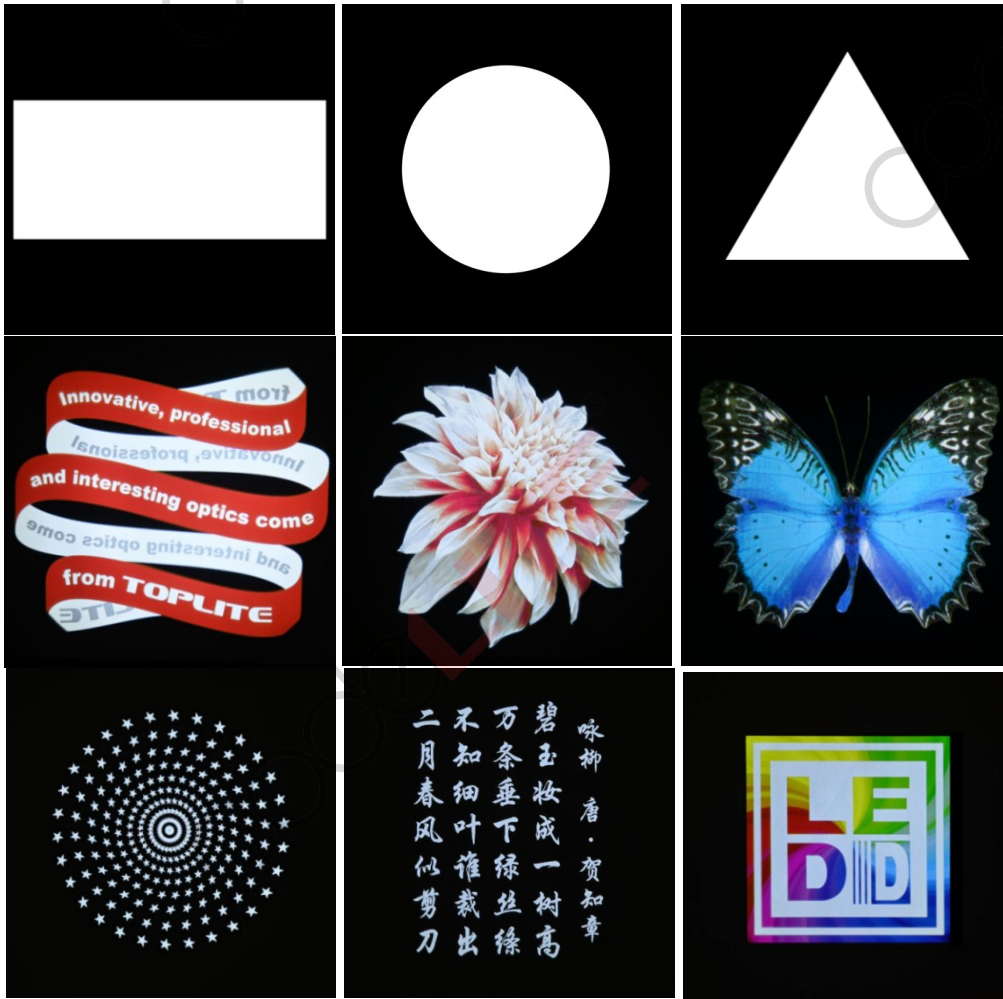
performances, cultural and tourist landscapes, film and video production, commercial photography, museums, art galleries, and beyond.

Specification and Parameter:

- Light source: high-grade LED
- Dimming: 0~100% continuous dimming, knob operation
- Optical system: variable optical imaging system, zoom-able or fixed angle
- Optical performance: ultra high resolution, discerning pixel units as small as 2 microns, chromatic aberration elimination
- Projection direction: horizontal 0° ~ 330° and vertical 0° ~ 90° adjustable
- Power supply: AC 100 ~ 240V / 50 ~ 60Hz
- Installation: Three-wire guide rail, suspended cantilever optional
- Working ambient temperature: -20°C ~ 40°C
- Net weight: ≈ 2.23 kg, the weight of different models will vary
- Accessories: safety rope
- Outer packaging size: 528×268×168 mm

Projection Effect Demonstration:





Model Selection List:

No.	Model No.	Zoom range	Gobo	Projection Ratio	Outline Dimension
1	CL25Z0920D	9~20°	≤ 22 mm	1 : 0.16~0.34	466×218×130mm
2	CL25Z1632D	16~32°	≤ 22 mm	1 : 0.28~0.58	440×218×130mm
3	CL25Z2840D	28~40°	≤ 22 mm	1 : 0.49~0.73	395×218×130mm

Model Instruction:

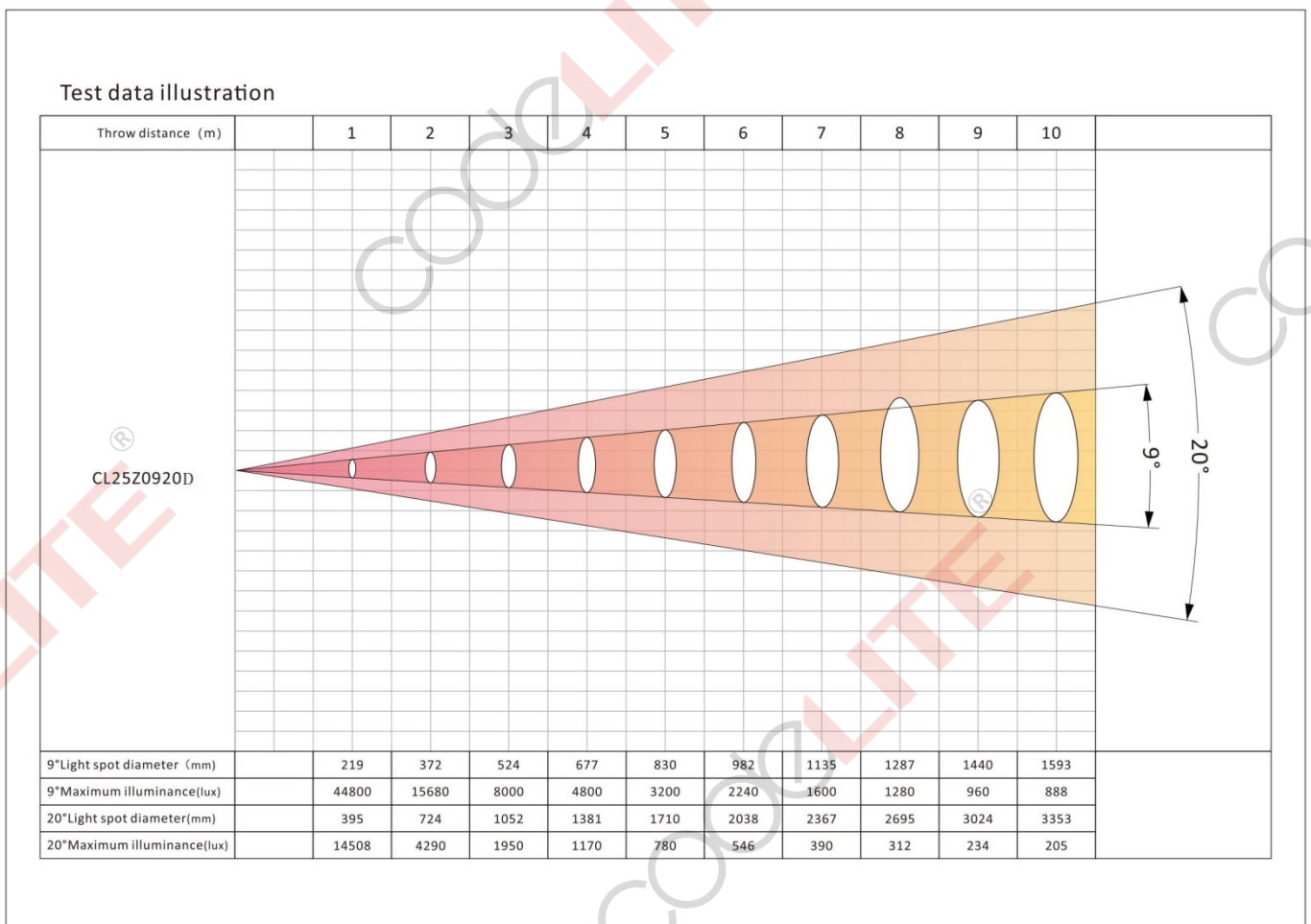


Model No.	Beam Angle	Installation	Power	CCT	CRI	Color
CL25	Zoom <input type="checkbox"/> Z+range F <input type="checkbox"/> F+angle	Track <input type="checkbox"/> G Magnetic <input type="checkbox"/> C Hoisting <input type="checkbox"/> D Recessed <input type="checkbox"/> Q	40W <input type="checkbox"/>	3000K <input type="checkbox"/> C30 4000K <input type="checkbox"/> C40 5700K <input type="checkbox"/> C57 6500K <input type="checkbox"/> C65 Variable <input type="checkbox"/> DS	CRI70 <input type="checkbox"/> R70 CRI90 <input type="checkbox"/> R90 CRI95 <input type="checkbox"/> R95	W <input type="checkbox"/> White B <input type="checkbox"/> Black C <input type="checkbox"/> Customized

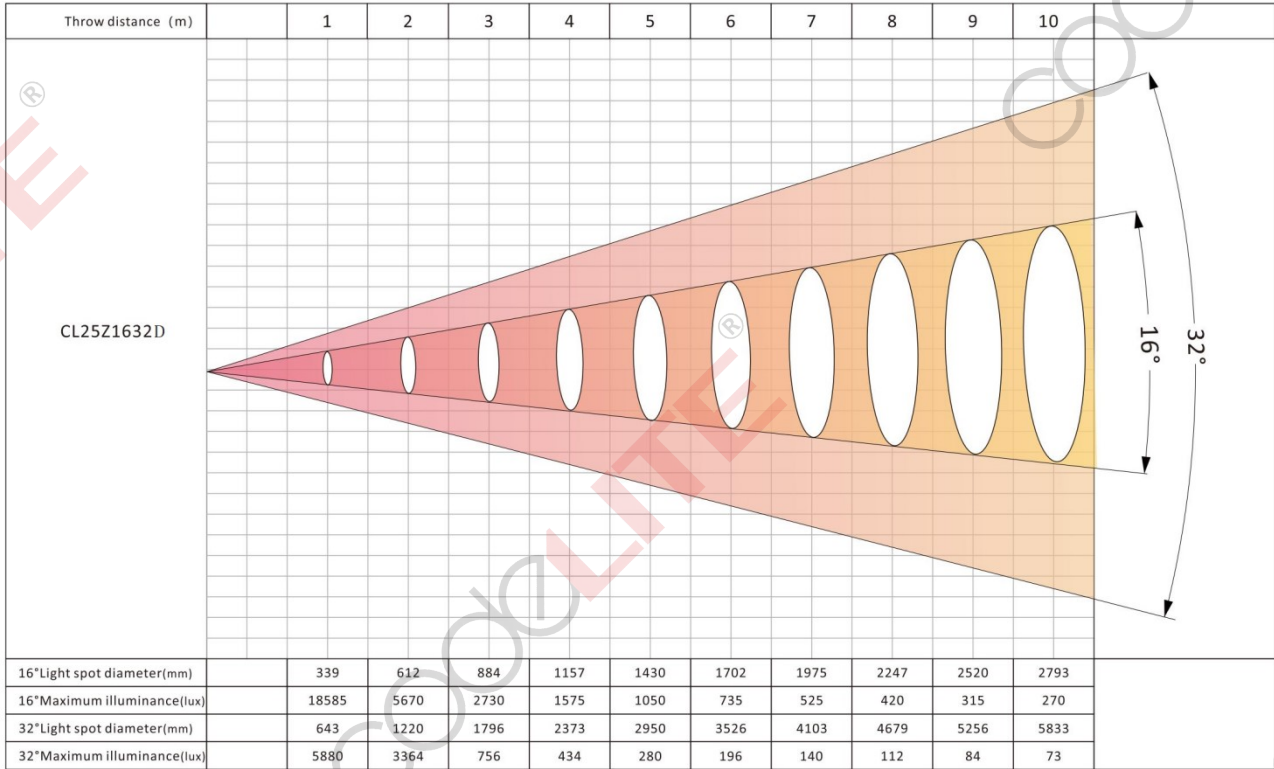
Example: CL25-Z0920-D-40W-C65-R70-B

- Beam angle: zoom-able, from 9° to 20°
- Power: 40W
- CCT: 6500K
- CRI: Ra70
- Color: Black

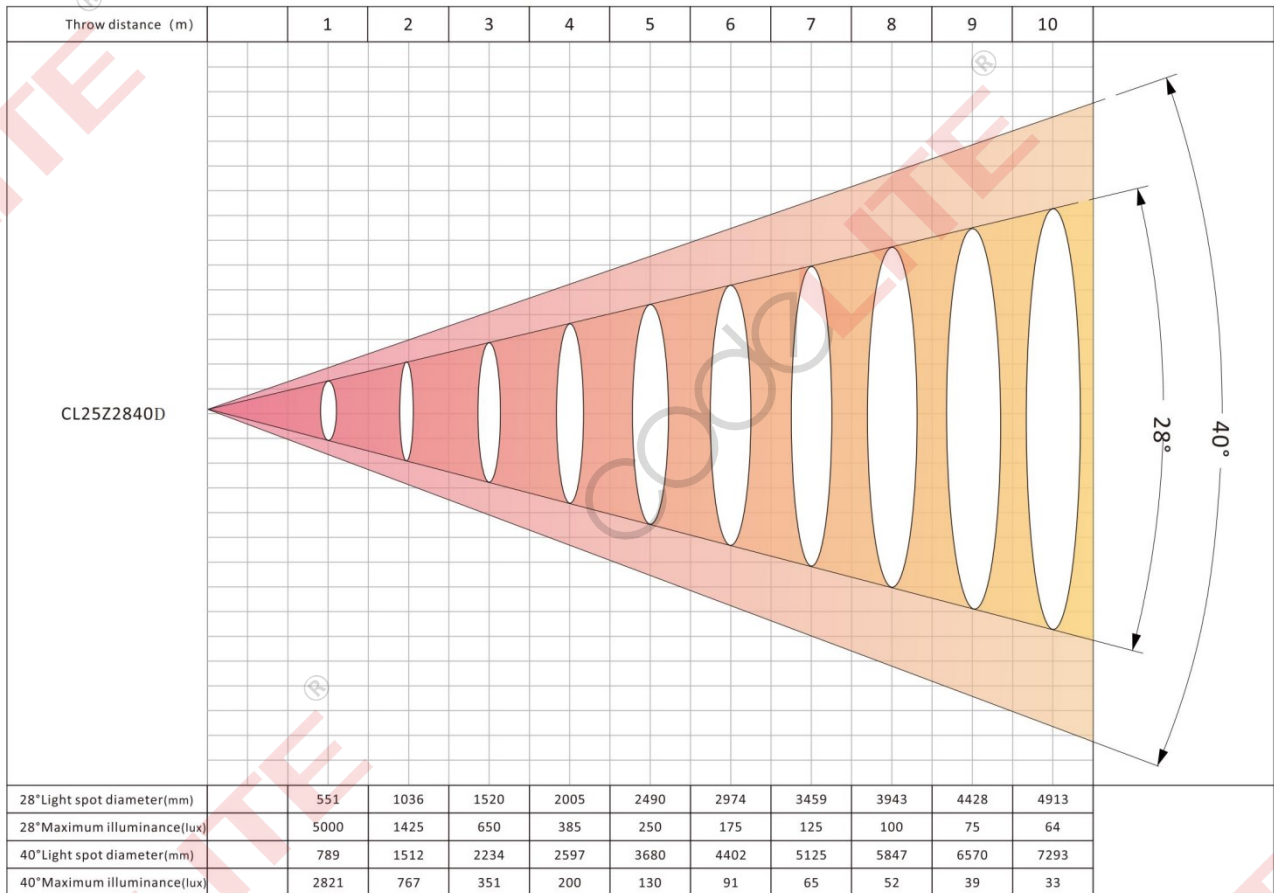
Light Beam and Test Data:



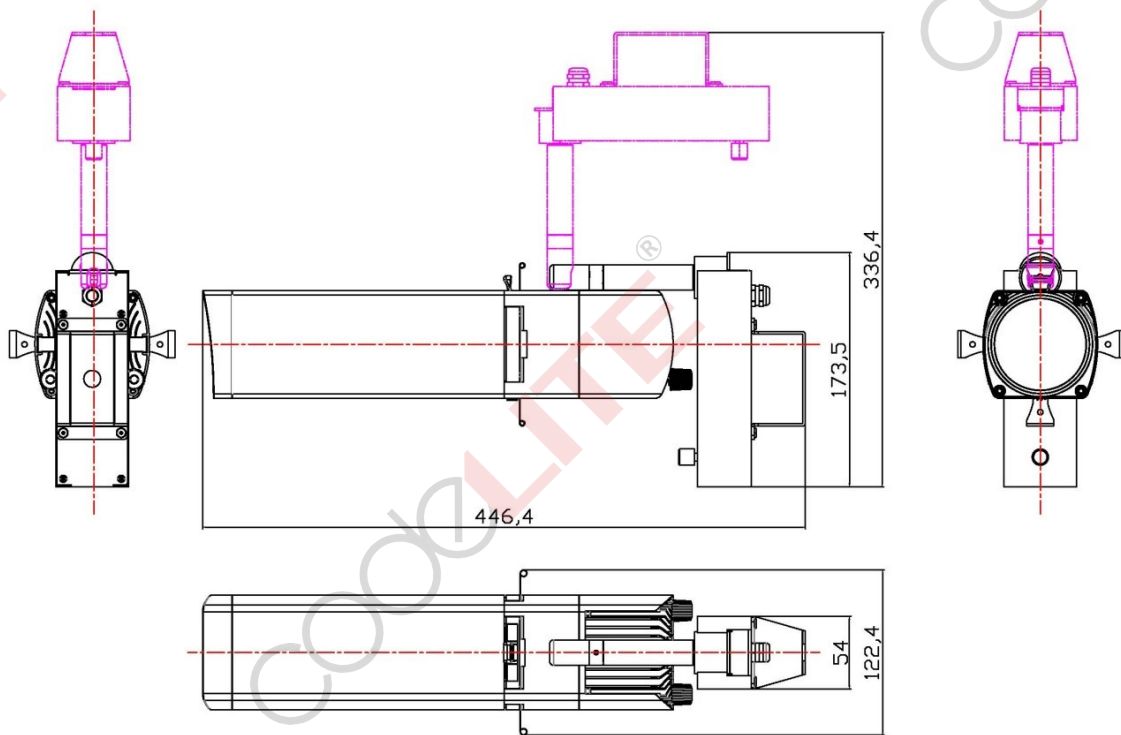
Test data illustration



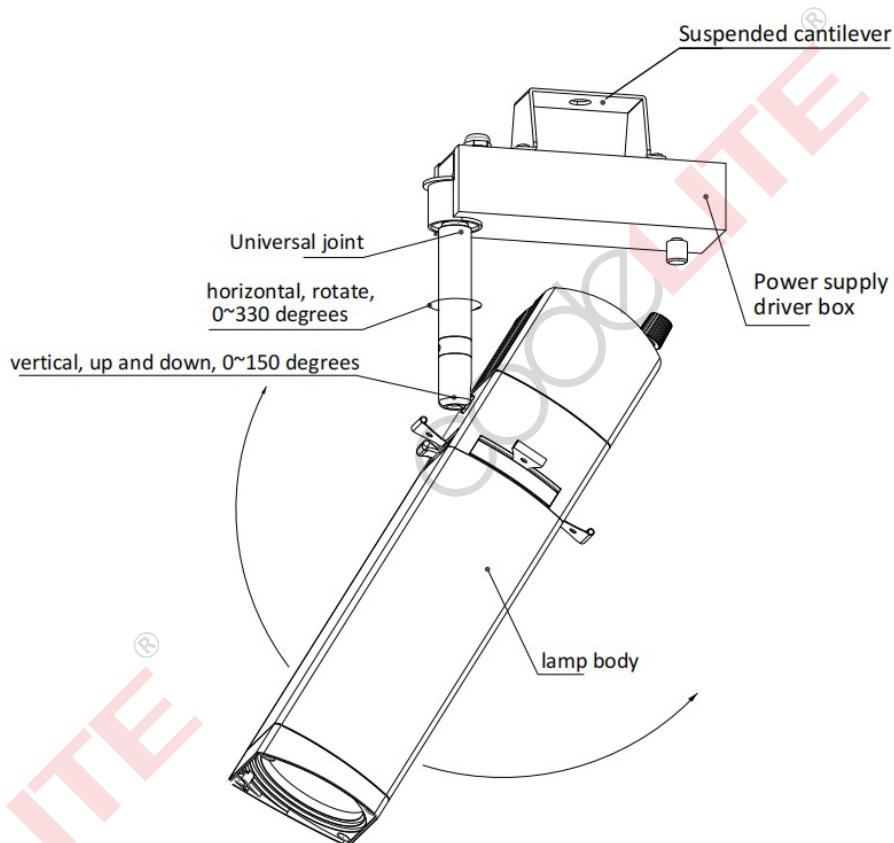
Test data illustration

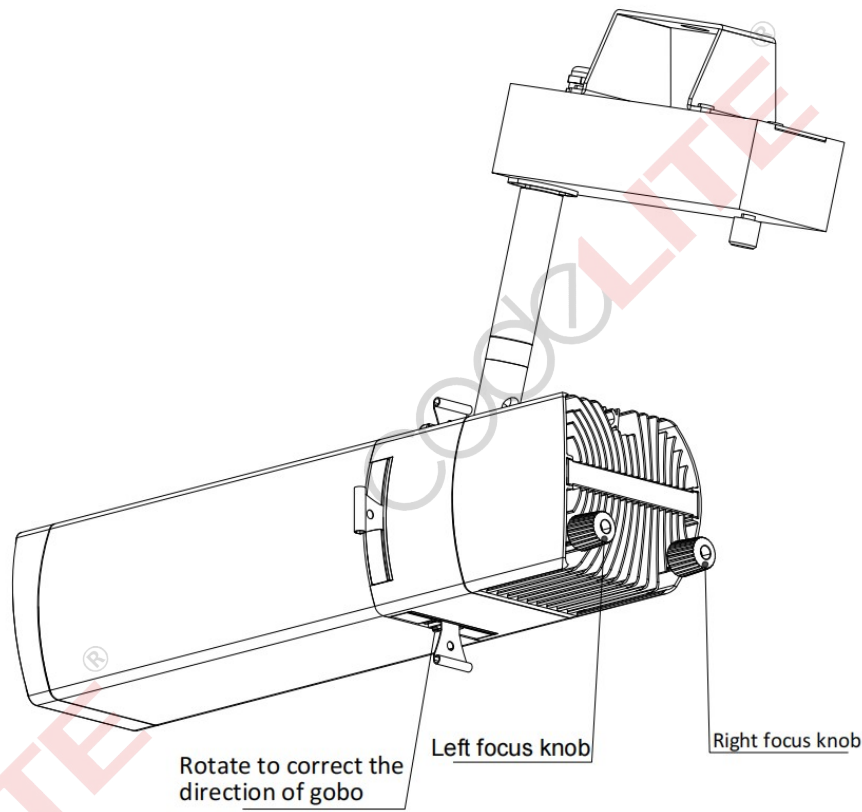
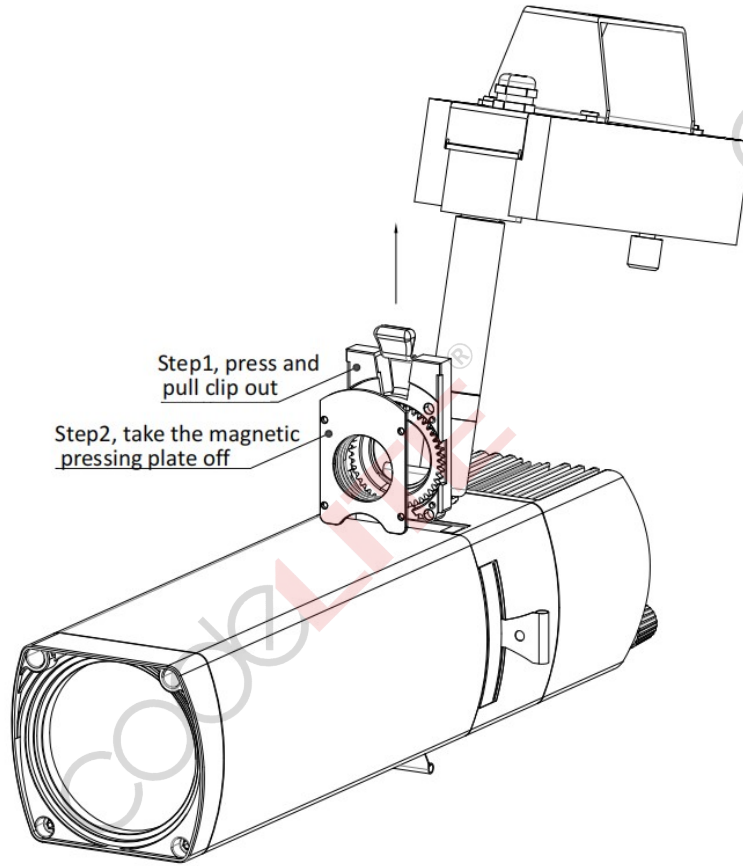


Outline Mechanical Dimension:



Installation and Adjustment Instruction:





Precautions:

- This product should be avoided from being used in high temperature environments for long periods of time.
- The protection level designed for this product is IP20. Use in environments beyond this range should be avoided.
- This product cannot be directly connected to mains power without a driver.
- Use within a safe voltage range, otherwise it will affect the product life and even cause damage.
- The power supply should be cut off before installation to avoid electric shock injury.
- This product cannot be cleaned or disassembled directly.
- Because our company's products are constantly being improved, the design, specifications or instructions are subject to change without prior notice.