

GL25 LED pattern & gobo projector



GL25 is a high-definition LED pattern & gobo projector product series jointly designed and developed by China and Europe.

GL25 adopts an aluminum alloy shell, which is sturdy, durable, and looks beautiful in appearance. The light source part uses high-standard LED light source, which has high light efficiency, high stability and long service life. The optical part adopts a high-definition imaging lens combination with linear zoom, which is coated with high-quality anti-reflection coating, has very high resolution, and the projected light spot is uniform and without chromatic aberration.

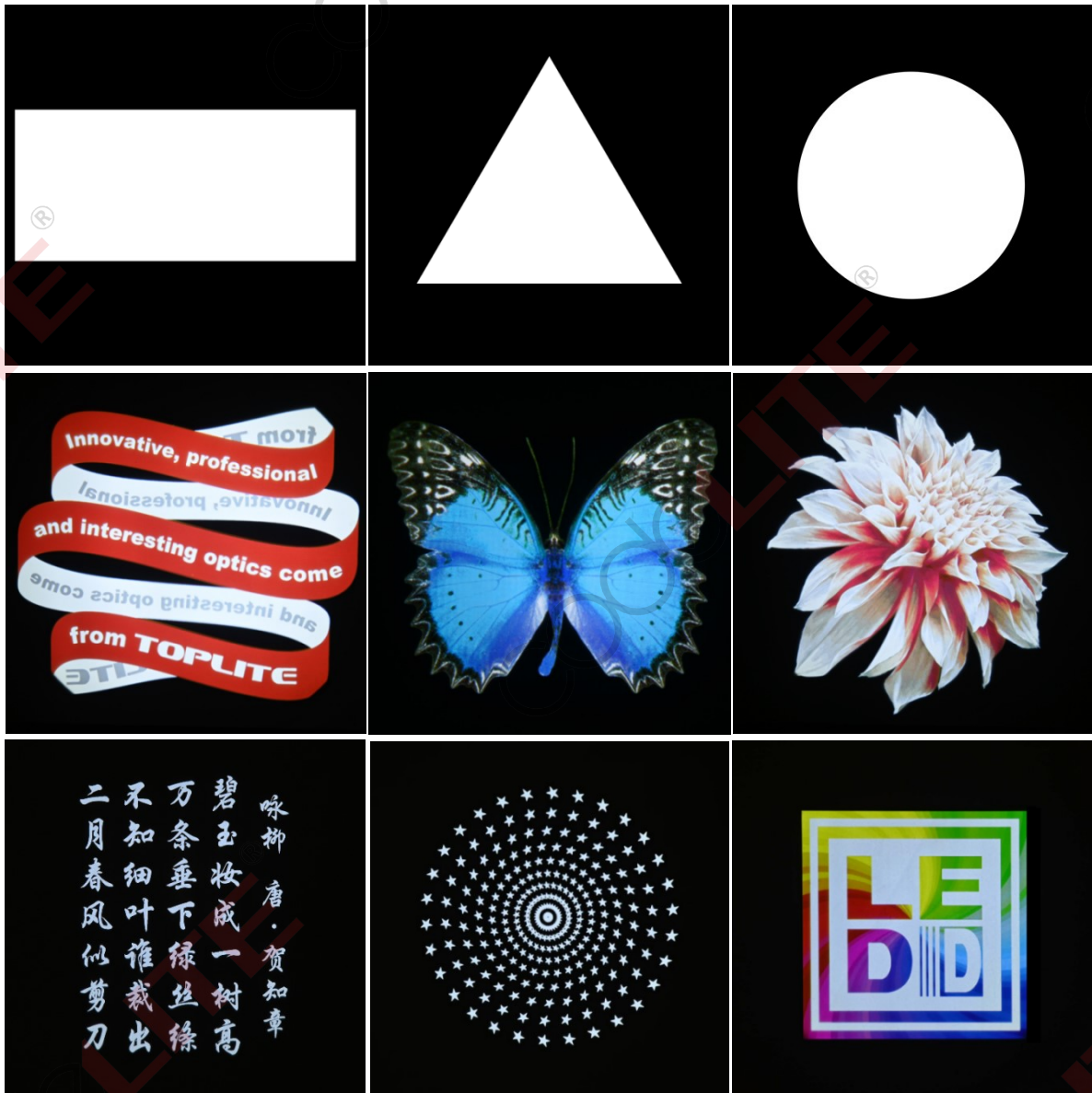
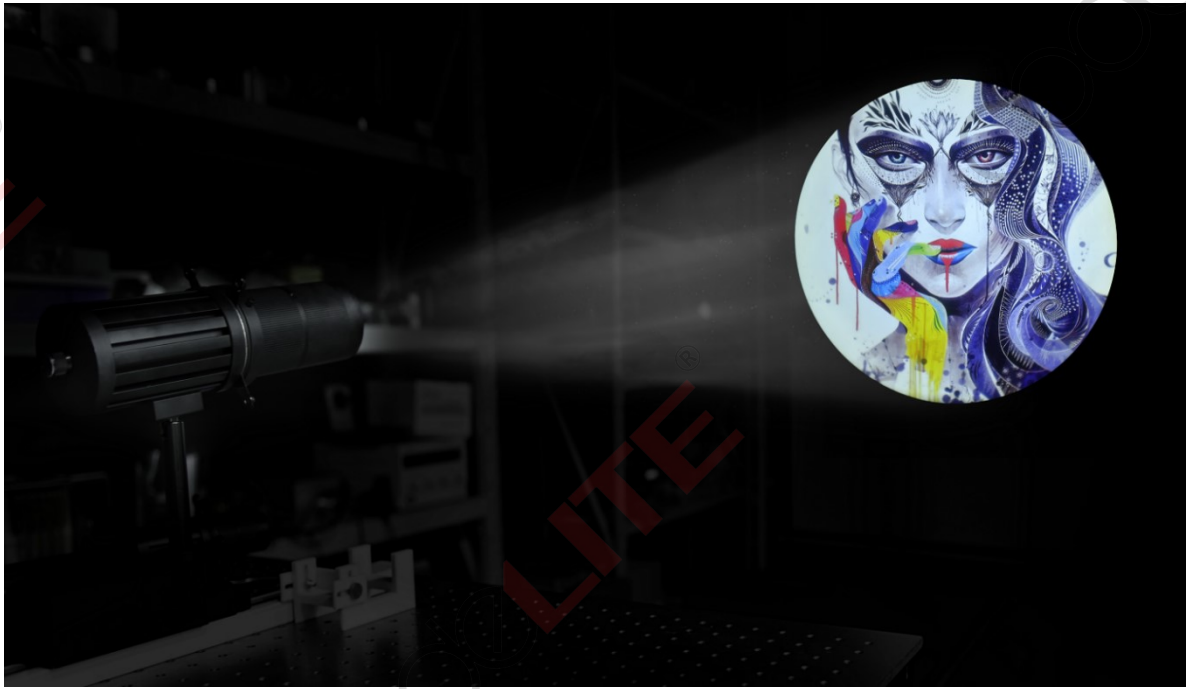
Innovative lamp body lens damping rotation zoom design enables linear zoom and sharpness adjustment within the angle range. The adjustment operation becomes simple and there is no loss of light efficiency during the adjustment process. Stable gobo holder for quick change of gobos. In addition to pattern projection, the lamp also integrates a light-cutting function. It has four light-cutting blades that can cut out different light spot shapes. The lamp is powered by a rail box, and has a knob to

achieve linear stepless dimming. GL25 series LED high-definition pattern projection cut-light lights are suitable for lighting scenarios such as museums, exhibition halls, cultural and art projections, cultural tourism projections, commercial LOGO projections, commercial shooting and live broadcast lighting.

Parameters:

- Light source: high specification LED
- Dimming: knob type, stepless dimming
- Optical system: high-definition imaging lens combination, multiple groups of linear zoom / multiple groups of fixed focus
- Optical performance: high resolution, capable of resolving 2 μ m pixel units, no chromatic aberration
- Projection direction: horizontal 0°~330°, vertical 0°~90° adjustable
- Power supply: AC100~240V/50~60Hz, please refer to the corresponding model packaging for details
- Installation: three-wire track
- Working environment temperature: -20°C~40°C
- Lamp weight: about 1.25 kg (excluding packaging), the weight of different models will vary, please refer to the corresponding model packaging for details
- Accessories: safety rope
- Outer packaging size: 438×268×138mm

Projection effect:



Model selection:

No.	Model No.	Zoom range	Gobo	Projection Ratio	Outline Dimension
1	GL25Z1121	11~21°	≤ 22 mm	1:0.2~0.37	370×185×95mm
2	GL25Z1928	19~28°	≤ 22 mm	1:0.32~0.48	325×185×95mm
3	GL25Z2538	25~38°	≤ 22 mm	1:0.45~0.69	315×185×95mm

Selection instruction:

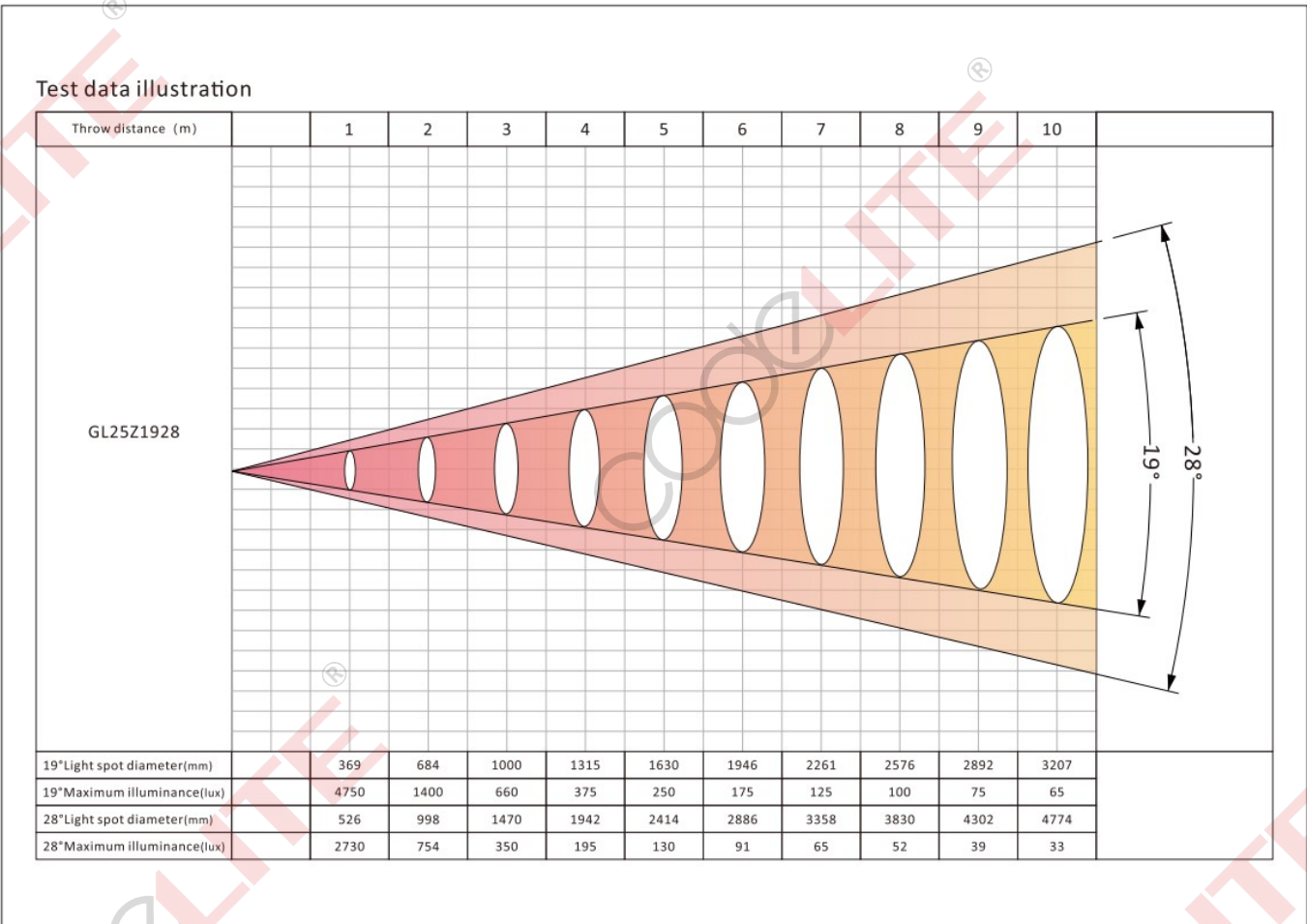
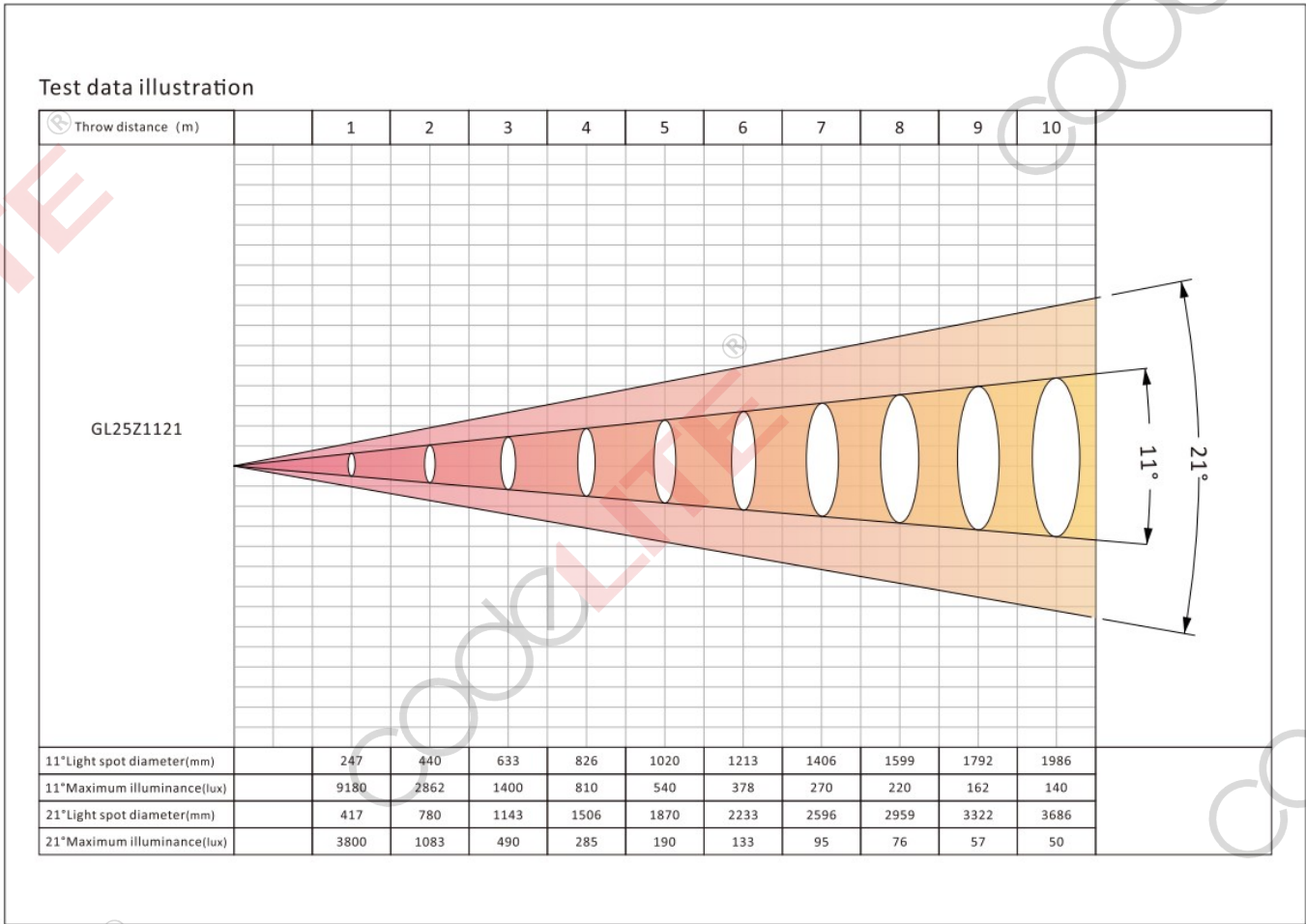


Model No.	Beam Angle	Installation	Power	CCT	CRI	Color
GL25	Zoom <input type="checkbox"/> Z+range F <input type="checkbox"/> F+angle	Track <input type="checkbox"/> G Magnetic <input type="checkbox"/> C Hoisting <input type="checkbox"/> D Recessed <input type="checkbox"/> Q	10W <input type="checkbox"/>	3000K <input type="checkbox"/> C30 4000K <input type="checkbox"/> C40 5700K <input type="checkbox"/> C57 6500K <input type="checkbox"/> C65 Variable <input type="checkbox"/> DS	CRI70 <input type="checkbox"/> R70 CRI90 <input type="checkbox"/> R90 CRI95 <input type="checkbox"/> R95	W <input type="checkbox"/> White B <input type="checkbox"/> Black C <input type="checkbox"/> Customized

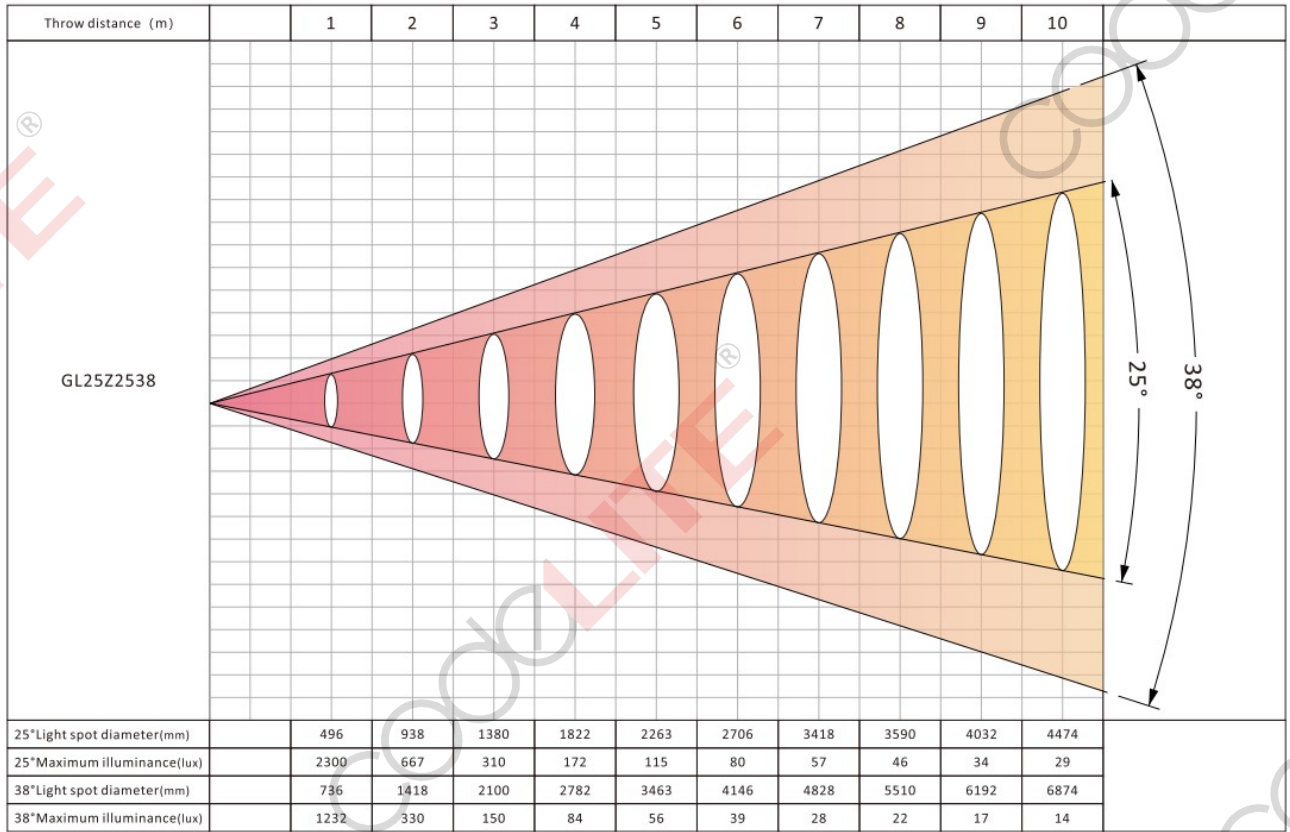
Example: GL25-Z1121-G-10W-C30-R70-B:

- Beam angle: zoom 11~21°
- Installation: Track
- Power: 10W
- CCT: 3000K
- CRI: Ra70
- Color: black

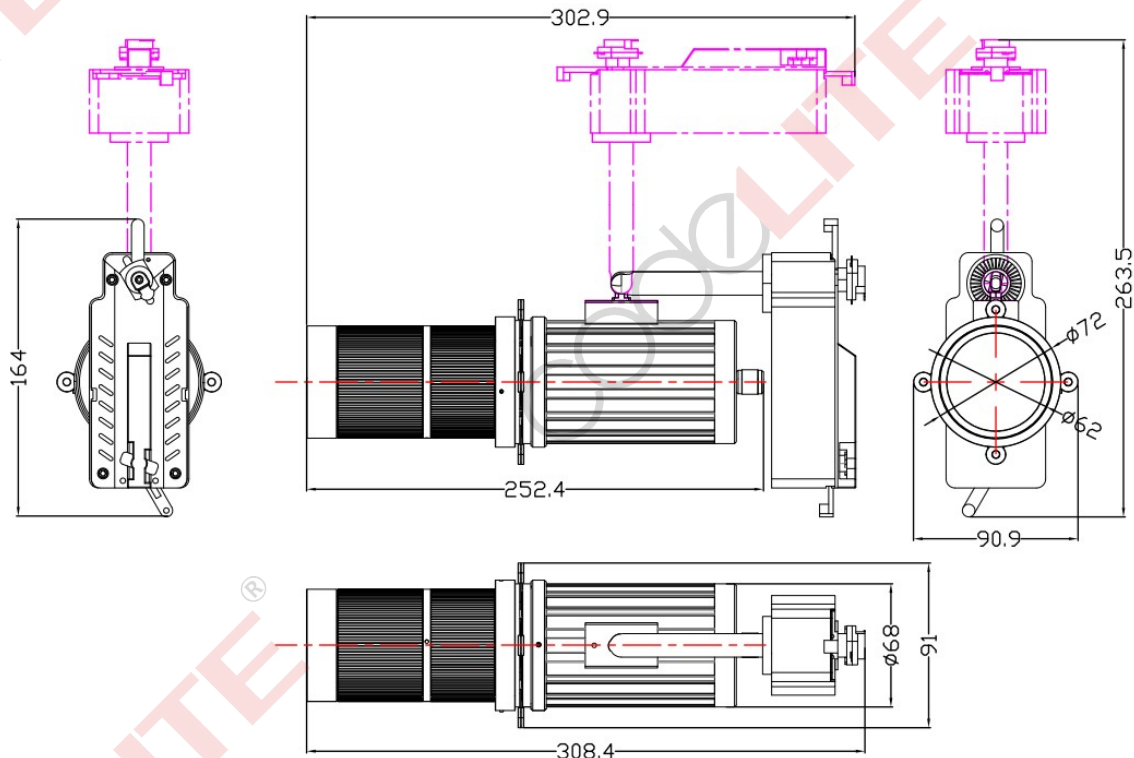
Test data illustration:



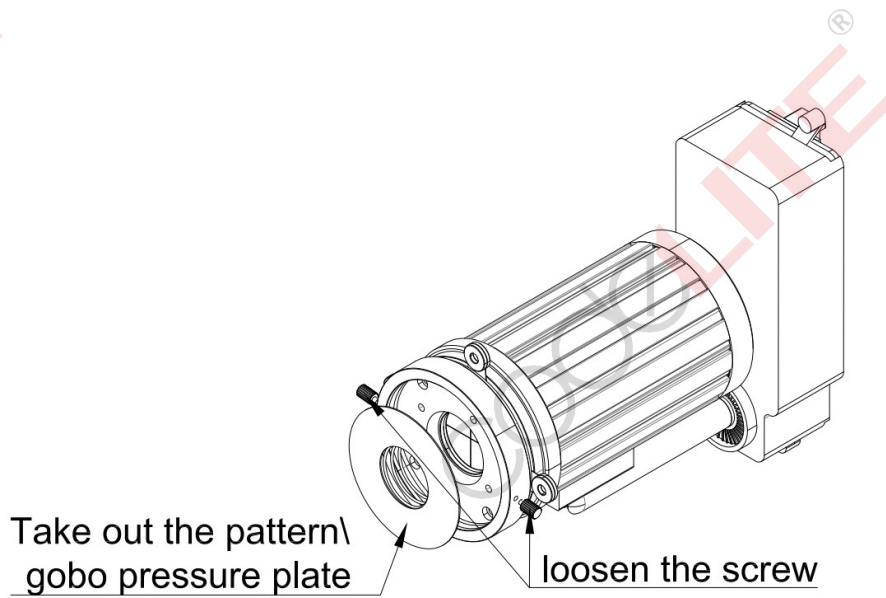
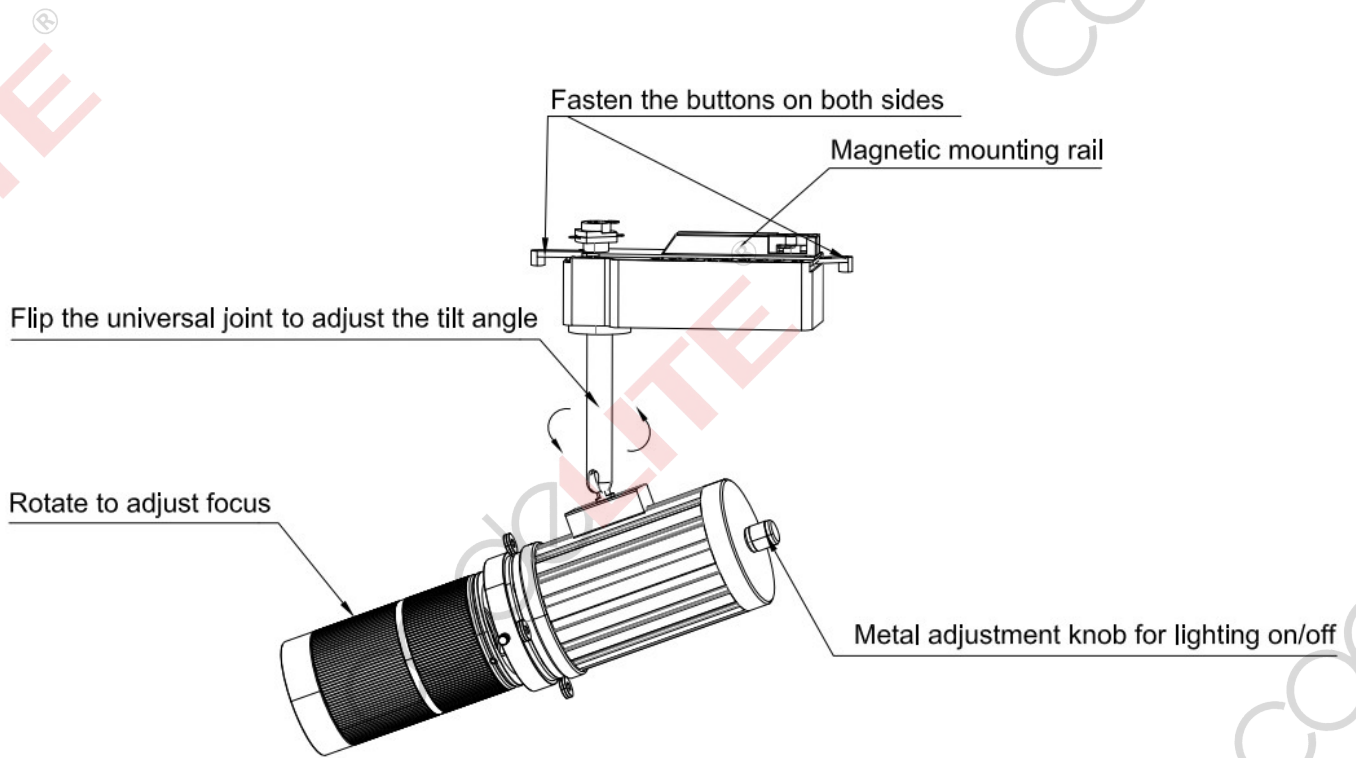
Test data illustration



Product appearance:



Installation and adjustment instructions:



Precautions:

- This product should be avoided from being used in high temperature environments for long periods of time;
- The protection level designed for this product is IP20. Use in environments beyond this range should be avoided;
- This product cannot be directly connected to mains power without a driver;
- Use within a safe voltage range, otherwise it will affect the product life and even cause damage;
- The power supply should be cut off before installation to avoid electric shock injury;
- This product cannot be cleaned or disassembled directly;
- Because our company's products are constantly being improved, the design, specifications or instructions are subject to change without prior notice.