

CL25 LED pattern & gobo projector



CL25 is a high-definition LED pattern & gobo projector product range jointly designed and developed by China and Europe. The CL25 adopts an aluminum alloy shell, which is sturdy, durable, and looks beautiful in appearance. The light source part of CL25 uses a high-standard LED light source with the characteristics of high light efficiency, high stability and long service life. The optical part adopts a high-definition imaging lens combination with linear zoom, which is coated with high-quality anti-reflection coating, has very high resolution, and the projected light spot is uniform and without chromatic aberration.

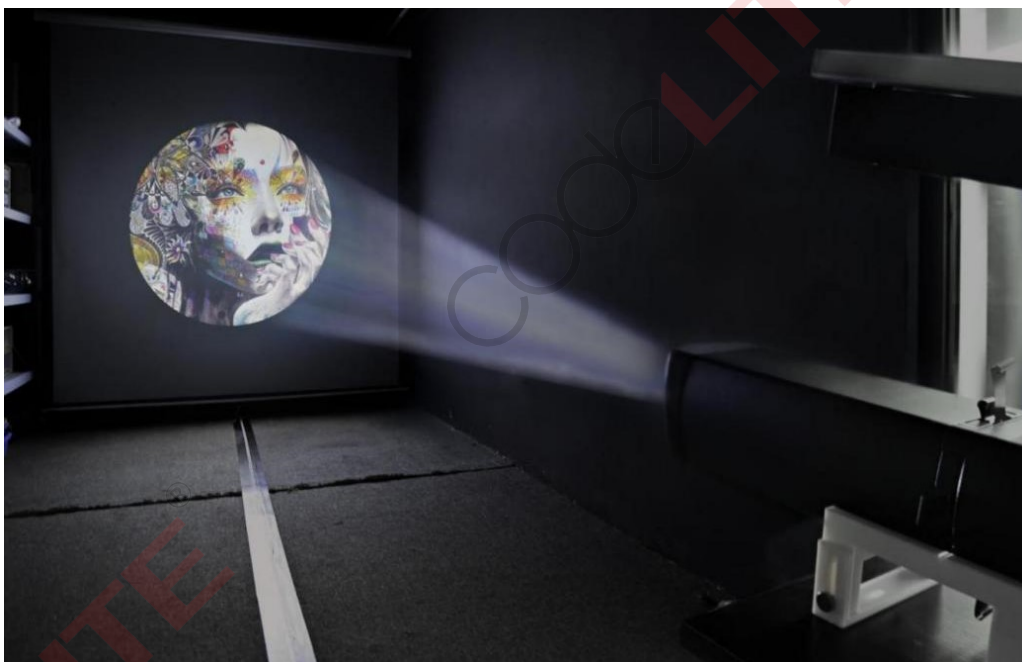
The innovative tail knob design enables user to adjust beam angles and image/spot sharpness easier and faster. There is no loss of light efficiency during the adjustment process. The pattern piece is placed in a magnetic fixed compartment. The clamping force is stable enough so that the pattern piece will not shift during use. The pattern piece can be quickly removed from the fixed compartment by pressing and extracting to replace and set the pattern piece. A rotatable knob is provided to adjust the direction of the pattern. In addition to pattern projection, the lamp also integrates a light-cutting function. It has four light-cutting blades that can cut out different light spot shapes. The lamp is powered by a rail box or power box, and has a knob to achieve linear

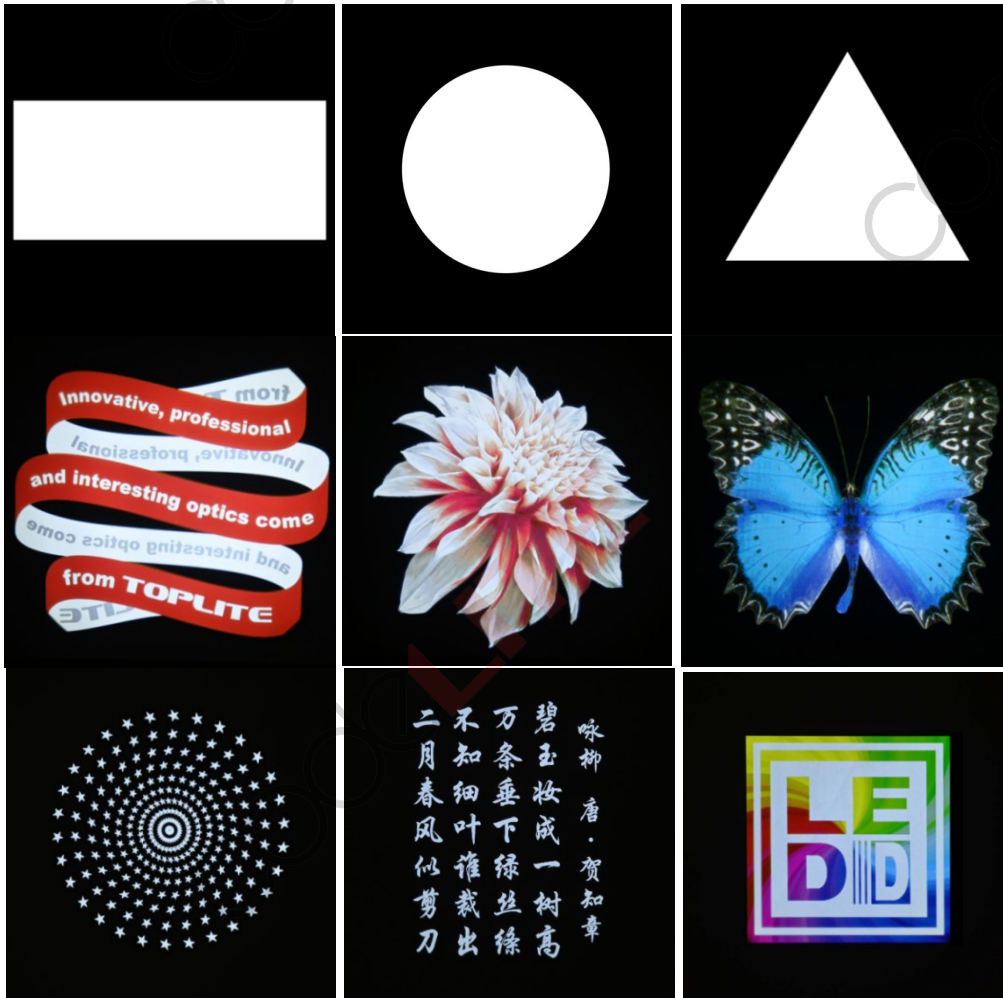
step-less dimming. The CL25 range LED high-definition pattern and gobo projector is suitable for lighting scenarios such as museums, exhibition halls, cultural and art projections, cultural tourism projections, brand logo projections, commercial shooting and live broadcast profile lighting, etc.

Main Parameters:

- Light source: high specification LED
- Dimming: knob type, step-less dimming
- Optical system: high-definition imaging lens set, multiple sets of linear zoom / multiple sets of fixed focus
- Optical performance: high resolution, capable of resolving 2 μ m pixel units, no chromatic aberration
- Projection direction: ① Universal joint model: rotation adjustment, horizontal 0°~330°, vertical 0°~90° adjustable ② Crane arm model: horizontal 0°~355°, vertical 0°~150° adjustable
- Power supply: AC100~240V/50~60Hz, please refer to the corresponding model packaging for details
- Installation: Default three-wire track type, optional crane installation
- Working environment temperature: -20°C~40°C
- Lamp weight: about 2.03 kg (excluding packaging), the weight of different models will vary, please refer to the corresponding model packaging for details
- Accessories: safety rope
- Outer packaging size: 488×268×168mm

Projection effect demonstration:

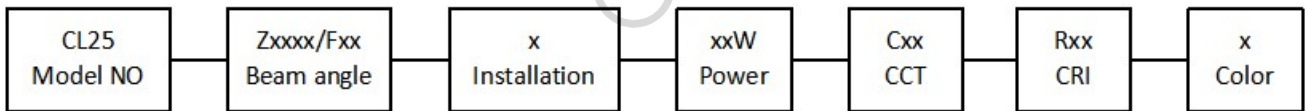




Model selection:

| No. | Model No. | Zoom range | Gobo | Projection Ratio | Outline Dimension |
|-----|-----------|------------|---------|------------------|-------------------|
| 1 | CL25Z0920 | 9~20° | ≤ 22 mm | 1: 0.16~0.34 | 426×218×130mm |
| 2 | CL25Z1632 | 16~32° | ≤ 22 mm | 1: 0.28~0.58 | 400×218×130mm |
| 3 | CL25Z2840 | 28~40° | ≤ 22 mm | 1: 0.49~0.73 | 355×218×130mm |

Model instruction:

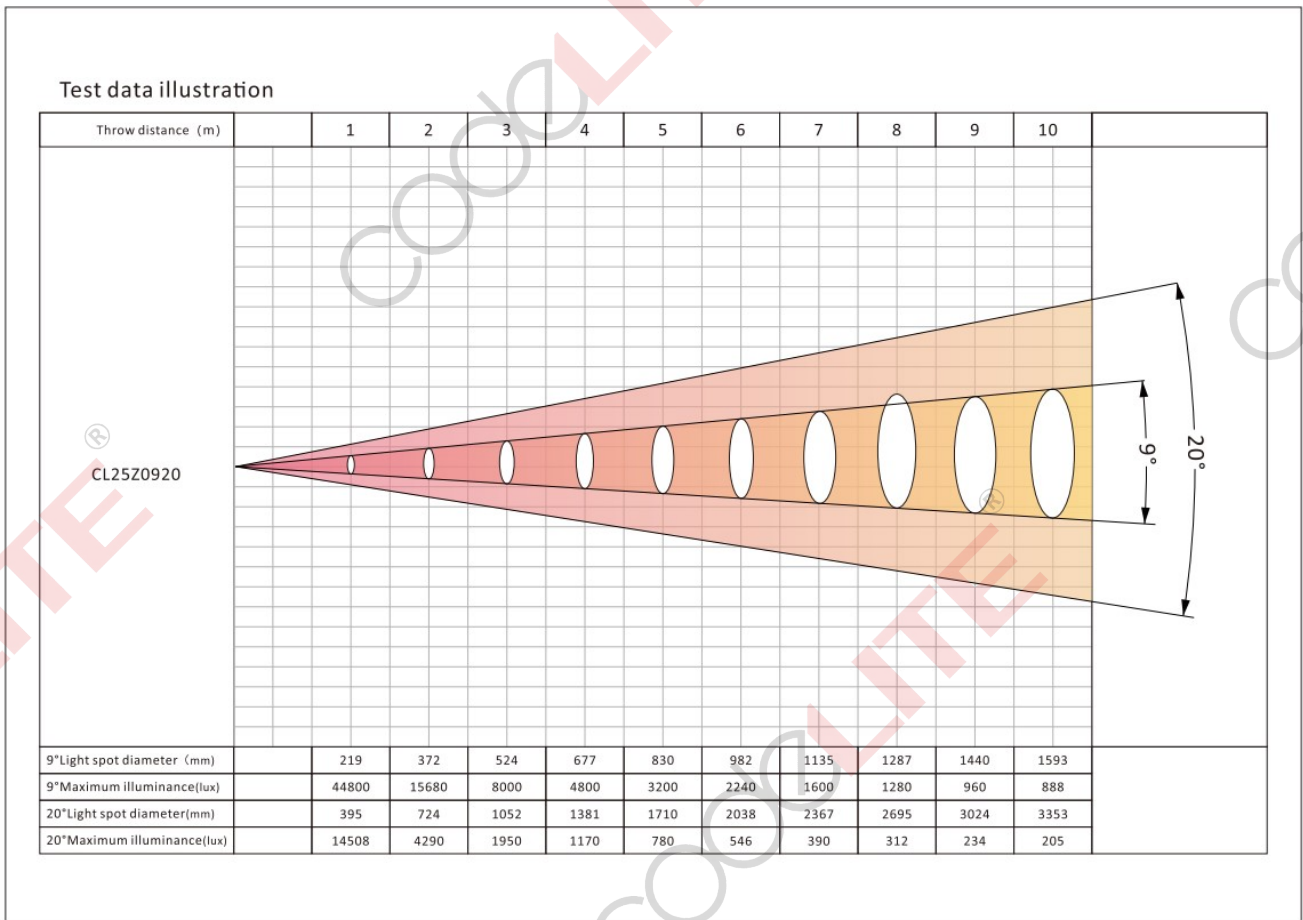


| Model No. | Beam Angle | Installation | Power | CCT | CRI | Color |
|-----------|---|---|------------------------------|--|--|---|
| CL25 | Zoom <input type="checkbox"/> Z+range F <input type="checkbox"/> F+angle | Track <input type="checkbox"/> G Magnetic <input type="checkbox"/> C Hoisting <input type="checkbox"/> D Recessed <input type="checkbox"/> Q | 40W <input type="checkbox"/> | 3000K <input type="checkbox"/> C30 4000K <input type="checkbox"/> C40 5700K <input type="checkbox"/> C57 6500K <input type="checkbox"/> C65 Variable <input type="checkbox"/> DS | CRI70 <input type="checkbox"/> R70 CRI90 <input type="checkbox"/> R90 CRI95 <input type="checkbox"/> R95 | W <input type="checkbox"/> White B <input type="checkbox"/> Black C <input type="checkbox"/> Customized |

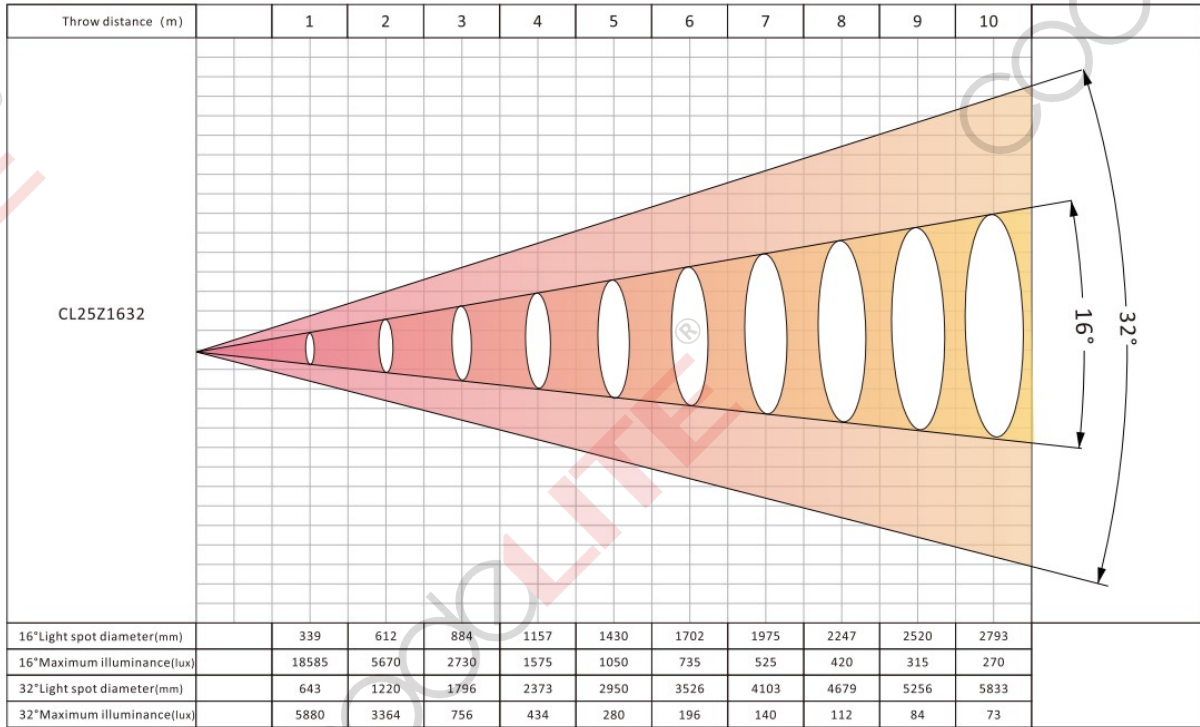
Example: CL25-Z0920-G-40W-C65-R70-B:

- Beam angle: zoom 9~20°
- Power: 40W
- CCT: 6500K
- CRI: Ra70
- Color: black

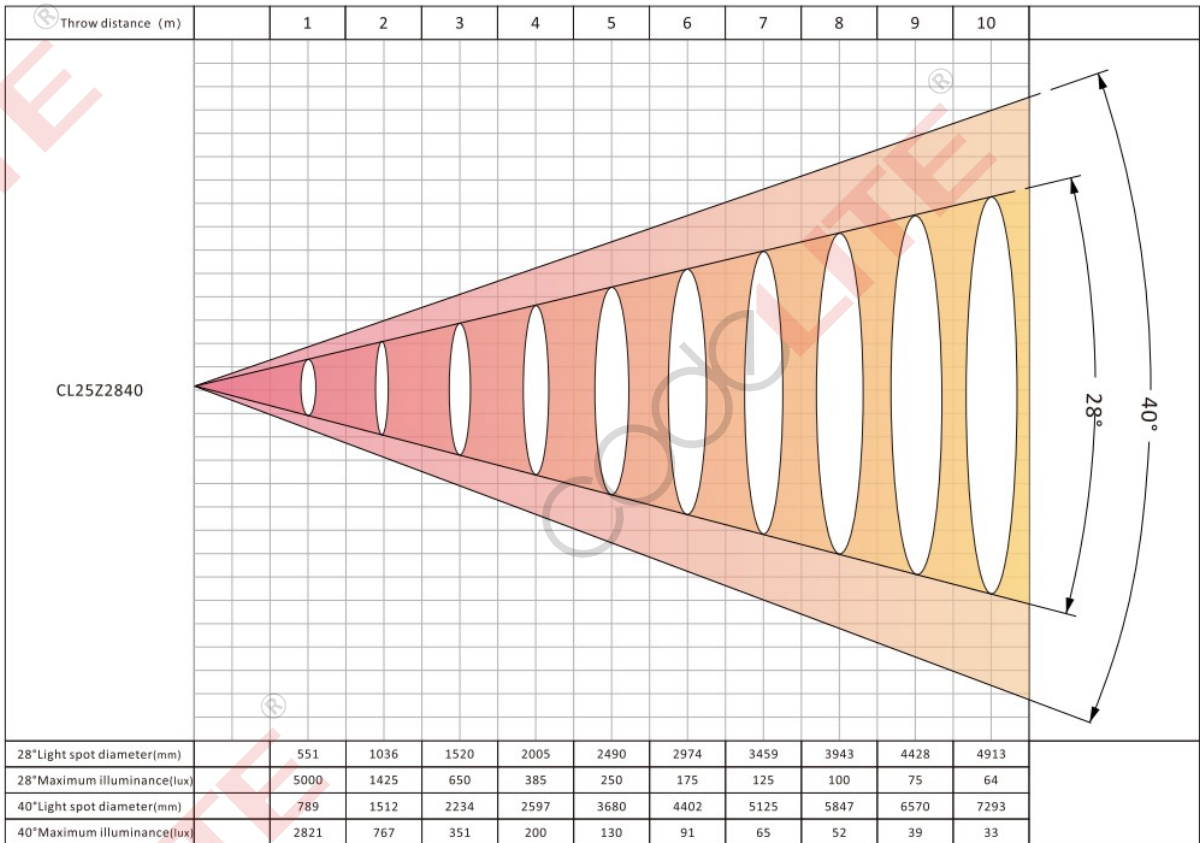
Test data illustration:



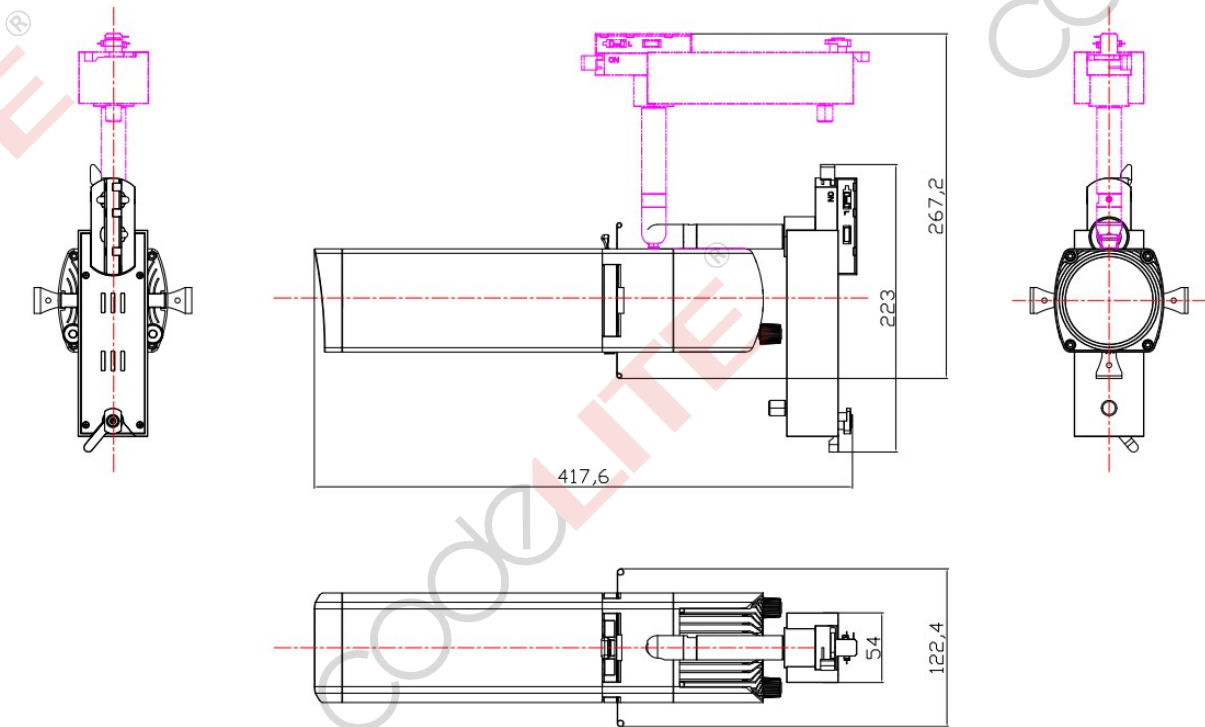
Test data illustration



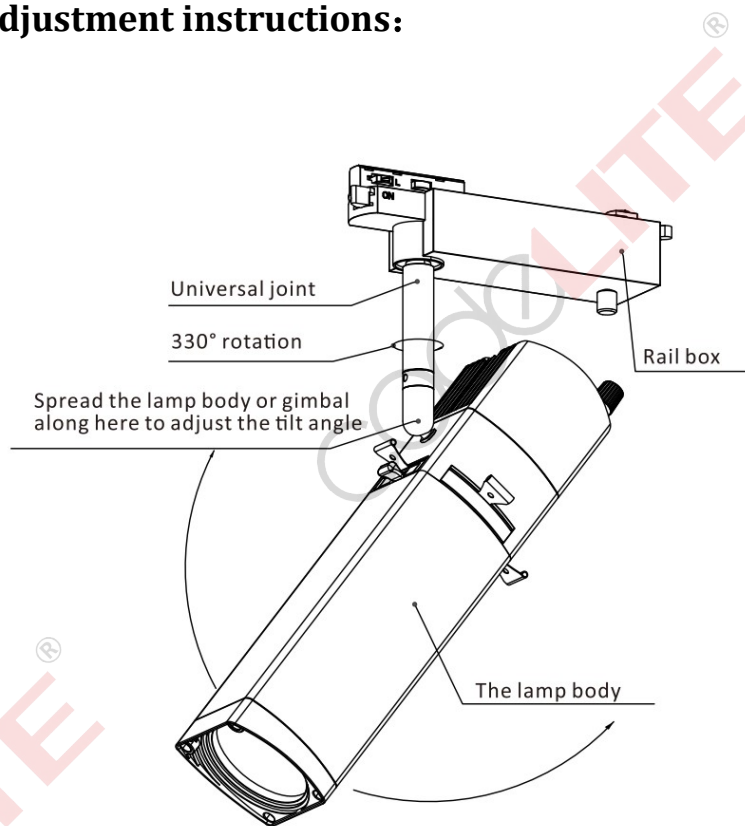
Test data illustration

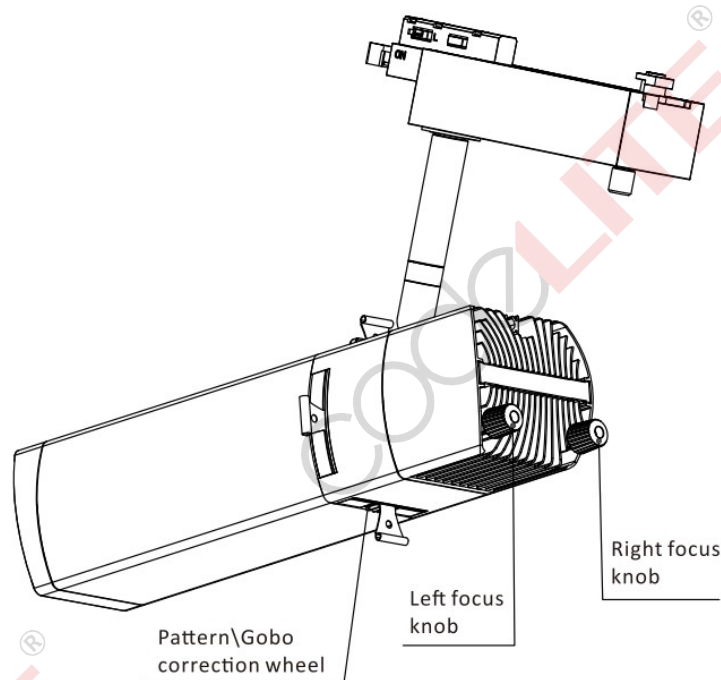
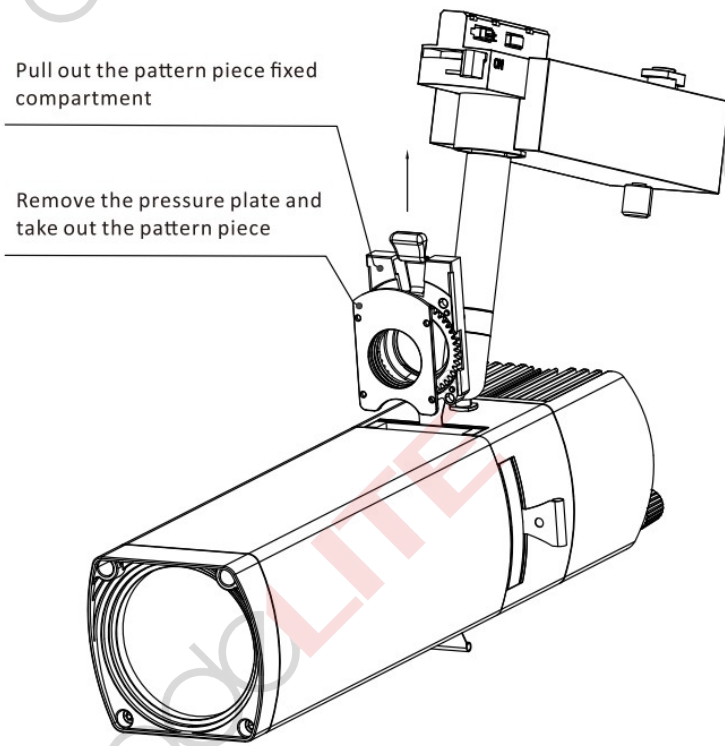


Mechanical dimension:



Installation and adjustment instructions:





Precautions:

- This product should be avoided from being used in high temperature environments for long periods of time;
- The protection level designed for this product is IP20. Use in environments beyond this range should be avoided;
- This product cannot be directly connected to mains power without a driver;
- Use within a safe voltage range, otherwise it will affect the product life and even cause damage;
- The power supply should be cut off before installation to avoid electric shock injury;
- This product cannot be cleaned or disassembled directly;
- Because our company's products are constantly being improved, the design, specifications or instructions are subject to change without prior notice.