

中科绿能保留对产品外观、尺寸和技术参数修改的权利，并不对内容的精确性承担责任。中科绿能保证本目录的内容已尽力检查过，因此不承担由此带来的任何损失责任。
Zhong Ke Green Energy reserves the right to revise product appearance, dimension and technical data, but does not undertake responsibility for the accuracy of the content. Zhong Ke Green Energy ensures that content of the catalog have been carefully checked, so we will not assume responsibility for any loss.

www.ZKGEopto.com

专业创造价值
品质与诚信赢得未来

■ LED全系列点光源智造商 ■ LED户外亮化文旅产品专家

特别声明：本画册版权归中科绿能所有，未经授权，任何人不能以任何形式转载使用，画册内容最终解释权归中科绿能所有
Special statement: The copyright of catalog belongs to Zhong Ke Green Energy, without authorization, any person can not reproduce in any form. Zhong Ke Green Energy has the final right to interpret the catalog.

光明厂址：深圳市光明区新湖街道楼村社区西光月二路鑫博盛科创园A栋5楼
Guangming Factory: F5, Building A, XinBoSheng Park, XiGuangYue 2nd Road, LouCun, XinHu Street
GuangMing, ShenZhen, GuangDong, China

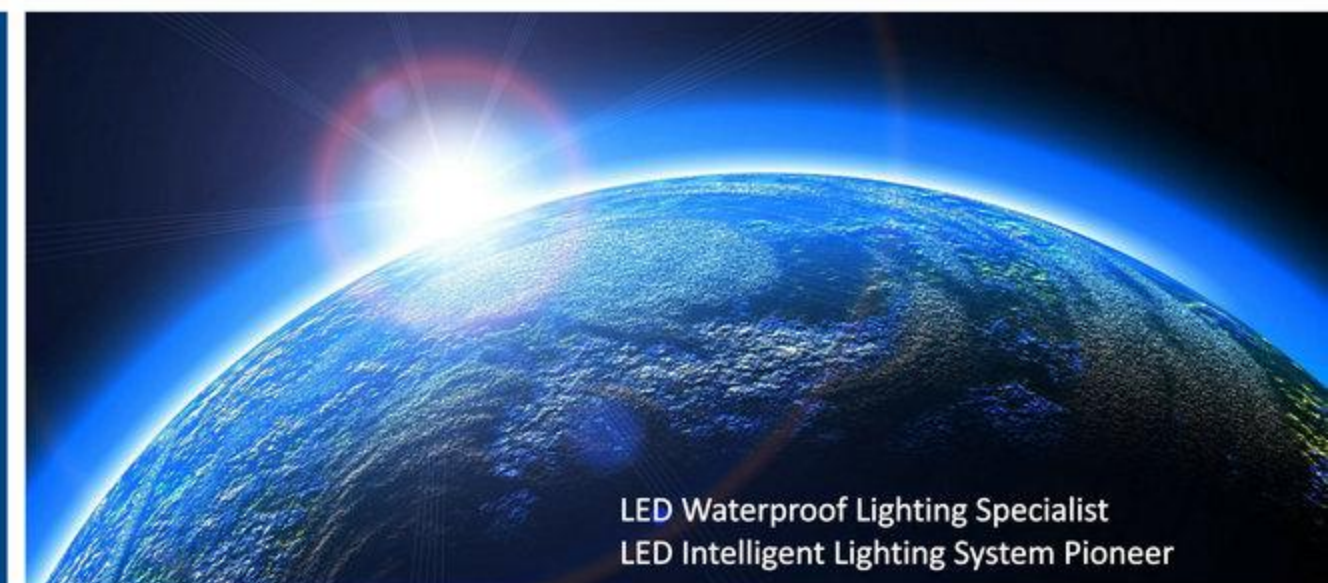
电话：0755-33132992 23400919 传真：0755-23400055
Tel: 86-755-33132992 23400919 Fax:86-755-23400055

中科绿能 • www.ZKGEopto.com PRODUCT CATALOG 产品目录

服务热线:400-670-2298

股权代码:669092

中科绿能
ZHONG KE GREEN ENERGY



LED Waterproof Lighting Specialist
LED Intelligent Lighting System Pioneer

HONGKONG ZHONG KE GREEN ENERGY
SHENZHEN ZHONG KE GREEN ENERGY OPTOELECTRONICS CO.,LTD

FILL THE WORLD WITH LIGHT ART

让世界充满光艺术



公司简介 COMPANY PROFILE

中科绿能旗下深圳中科绿能光电是专注于LED户外亮化产品的研发、生产与销售的国家级高新技术企业。自09年在香港创立以来，中科绿能一直致力于LED产品的研发、应用和技术支持，通过并严格执行ISO9001、ISO14001等管理体系，获得了国家高新技术企业认证。我们以互信、互尊为基石，以开拓、创新增效益，以市场为导向，以品质与诚信做保证，不断整合资源，创造和谐与共赢，不断地钻研和自我超越，成为LED户外亮化行业的知名企业！

经过十多年的发展，中科绿能本着致力于实现光与环境的完美结合，促进和谐与健康的照明事业为企业愿景，坚持用创新的理念和真诚的态度满足市场需求，为世界级高端品牌提供ODM、OEM服务，共同再创合作共赢的新高度，在行业内积累出良好的口碑，深得政府和户外亮化行业客户的信任，赢得参与国内大型户外亮化工程项目：杭州G20峰会、福建省运会、大连达沃斯论坛、广州财富论坛夜景亮化工程、厦门金砖国家会议、内蒙古70周年大庆、扬州五路一环一河、郑州民族运动会、西安十四运等。中科绿能产品系列包括：LED户外景观亮化、LED工业照明、LED道路照明等产品。公司产品除了面向中国市场外，还服务于欧美、中东等其他国家或地区，赢得高度赞誉！让世界充满光艺术已成为中科绿能人的使命！

Shenzhen Zhongke Green Energy Technology Co., Ltd, a subsidiary of ZHONG KE GREEN ENERGY GROUP, is a state-level high-tech enterprise focusing on the R & D, production and sales of LED outdoor lighting products. Since its establishment in Hong Kong in 2009, Zhongke Green Energy has been committed to the research and development, application and technical support of LED products. It has passed and strictly implemented ISO9001, ISO14001 and other management systems, and obtained the national high-tech enterprise certification. We take mutual trust and respect as the cornerstone, expand and innovate to increase efficiency, take the market as the guidance, take quality and integrity as the guarantee, constantly integrate resources, create harmony and win-win situation, continue to study and self-transcendence, and become a well-known enterprise in LED outdoor lighting industry!

After years of development, in line with the vision of achieving the perfect combination of light and environment, promoting the harmonious and healthy lighting business, Zhongke Green Energy adheres to the concept of innovation and sincere attitude to meet the market demand, provides ODM and OEM services for world-class end brands, creates a new win-win cooperation, and accumulates a good reputation in the industry. It has won the trust of the government, foreign lighting industry and customers, and won the participation of domestic enterprises lighting projects: Hangzhou G20 summit, Fujian Provincial Games, liandavos forum, Fuzhou Fortune Forum night lighting project, Xiamen BRICs conference, Inner Mongolia 70th anniversary celebration, Yangzhou five road ring River, Zhengzhou Ethnic Games, Xi'an Fourth National Games, etc.

Zhongke Green Energy products include: LED outdoor landscape lighting, led industrial lighting, LED road lighting and other products. In addition to the Chinese market, our products also serve other countries and regions such as Europe, America, Middle East and so on, and have won high praise! Fill the world with light art has become the mission of Zhongke Green Energy!



连续多年 获得多项专利

OBTAINED MULTIPLE PATENTS FOR MANY YEARS

2008—2009年 YEAR 2008-2009

2008年参与研发、设计2008年北京奥运灯具项目
2009年成立香港中科绿能集团

IN 2008, PARTICIPATED IN THE R&D AND DESIGN OF THE 2008 BEIJING OLYMPIC LIGHTING PROJECT. IN 2009, HONG KONG ZHONGKE GREEN ENERGY GROUP WAS ESTABLISHED.

2010—2012年 YEAR 2010-2012

2010年与国内国际著名品牌签订战略合作，中科绿能成为PVC一次封装LED软灯条的创造者和发明者，同时取得专利证书。

2010年中科绿能协助、指导大陆厂商LED日光灯管等产品顺利获得UL/CUL/TUV认证。

2012年2月中科绿能为了更好的提升研发、生产能力，成立深圳中科绿能。

IN 2010, IT SIGNED STRATEGIC COOPERATION WITH DOMESTIC AND INTERNATIONAL FAMOUS BRANDS. ZHONGKE GREEN ENERGY BECAME THE CREATOR AND INVENTOR OF PVC SINGLE PACKAGING LED FLEXIBLE STRIP, AND OBTAINED THE PATENT CERTIFICATE AT THE SAME TIME. IN 2010, ZHONGKE GREEN ENERGY ASSISTED AND GUIDED MAINLAND MANUFACTURERS TO SUCCESSFULLY OBTAIN UL/CUL/TUV CERTIFICATION FOR LED FLUORESCENT TUBES AND OTHER PRODUCTS. IN FEBRUARY 2012, ZHONGKE GREEN ENERGY ESTABLISHED SHENZHEN ZHONGKE GREEN ENERGY IN ORDER TO BETTER IMPROVE R&D AND PRODUCTION CAPABILITIES.

2013—2014年 YEAR 2013-2014

2013年深圳中科绿能参与福建省运会、遵义城市亮化等大型项目。
2014年深圳中科绿能与富士、申安亚明达成战略合作。

IN 2013, SHENZHEN ZHONGKE GREEN ENERGY PARTICIPATED IN LARGE-SCALE PROJECTS SUCH AS THE FUJIAN PROVINCIAL GAMES AND ZUNYI CITY LIGHTING.

IN 2014, SHENZHEN ZHONGKE GREEN ENERGY REACHED STRATEGIC COOPERATION WITH NVC AND SHENAN YAMING.

2015—2016年 YEAR 2015-2016

2015年深圳中科绿能与上海亚明、清华同方达成战略合作。

2016年深圳中科绿能参与杭州G20峰会，深圳中科绿能申请国家高新技术企业和深圳市高新技术企业成功。

IN 2015, SHENZHEN ZHONGKE GREEN ENERGY REACHED STRATEGIC COOPERATION WITH SHANGHAI YAMING AND TSINGHUA TONGFANG. IN 2016, SHENZHEN ZHONGKE GREEN ENERGY PARTICIPATED IN THE HANGZHOU G20 SUMMIT, AND SUCCESSFULLY APPLIED FOR NATIONAL HIGH-TECH ENTERPRISES AND SHENZHEN HIGH-TECH ENTERPRISES.

2017—2018年 YEAR 2017-2018

2017-2018年深圳前海四板挂牌，参与大连达沃斯、青岛上合峰会、江苏省运会等。

IN 2017 AND 2018, LISTED ON THE FOURTH BOARD OF QIANHAI, SHENZHEN, AND PARTICIPATED IN DALIAN DAVOS, QINGDAO SHANGHAI COOPERATION SUMMIT, AND JIANGSU PROVINCIAL GAMES.

2019—2021年 YEAR 2019-2021

2019-2021年参与东晋古城、上海启迪、灵武市“三纵四横”、中国信息技术交易大厦、开封城乡一体示范区、西安十四运万达广场等大型亮化工程项目。

2019-2021 PARTICIPATE IN THE DONG JIN ANCIENT CITY, SHANGHAI QIDI, LINGWU CITY "THREE VERTICAL AND FOUR HORIZONTAL", CHINA INFORMATION TECHNOLOGY TRADING BUILDING, KAIFENG URBAN AND RURAL INTEGRATED DEMONSTRATION AREA, XI'AN 14TH NATIONAL GAMES WANDA PLAZA AND OTHER LARGE LIGHTING PROJECTS



“产品专利证书”

荣获多项国家认证专利等荣誉证书

"HONOR CERTIFICATE"

WON A NUMBER OF NATIONAL CERTIFICATION PATENTS AND OTHER HONORARY CERTIFICATES



HONGKE GREEN ENERGY WON VARIOUS HONORS FOR MANY YEARS

中科绿能多年荣获各项荣誉



“产品荣誉证书”

荣获多项国家认证等荣誉证书

“HONOR CERTIFICATE”

WON A NUMBER OF NATIONAL CERTIFICATION AND OTHER HONORARY CERTIFICATES



LED 投射灯系列

LED PROJECT LAMP SERIES

LED Round Project Lamp

LED 圆形投光灯

ZGE-TG-125158-D/A9/12



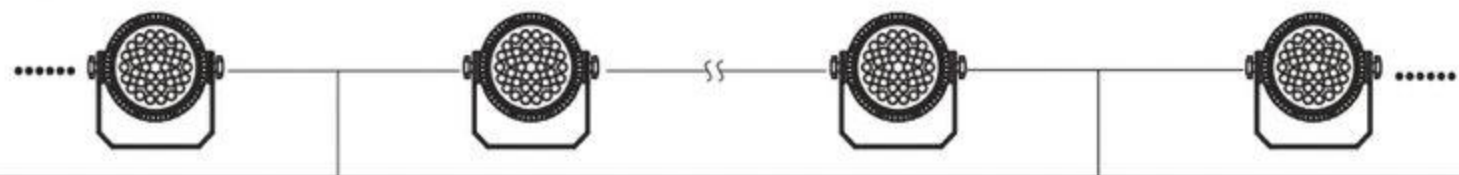
应用场所 Applications

广泛应用于公园、广场、写字楼、酒吧、酒店及建筑外墙、楼体立柱、广场灯光、园林树木、道路等室外亮化。

It is widely used in outdoor lighting such as parks, squares, office buildings, bars, hotels and building exterior walls, building wheels, square lights, garden trees, roads, etc.



单色 Single Color



LED Round Project Lamp

LED 圆形投光灯

ZGE-TG-148180-D/A18



应用场所 Applications

广泛应用于公园、广场、写字楼、酒吧、酒店及建筑外墙、楼体立柱、广场灯光、园林树木、道路等室外亮化。

It is widely used in outdoor lighting such as parks, squares, office buildings, bars, hotels and building exterior walls, building wheels, square lights, garden trees, roads, etc.



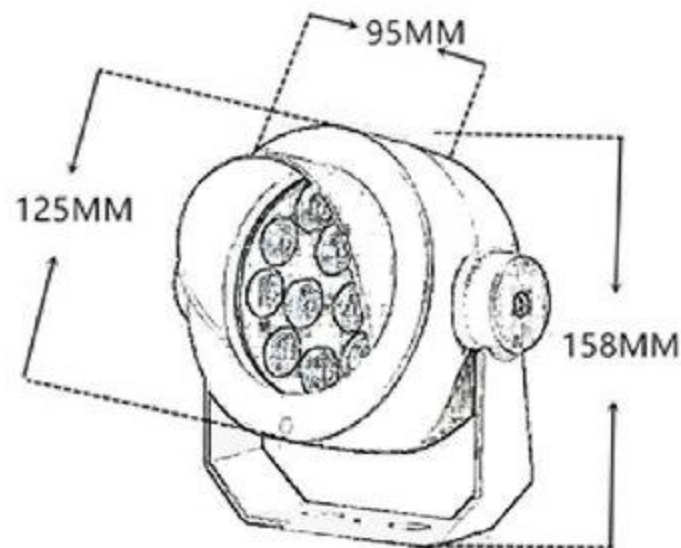
单色 Single Color



技术参数 Technical Parameters

产品型号: ITEM NO.	ZGE-TG-125158-D/A9	ZGE-TG-125158-D/A12
灯具类别 Light Category	LED投光灯 LED Project Lamp	LED投光灯 LED Project Lamp
产品型号 Item No.	ZGE-TG-125158-D/A9 ZGE-TG-125158-D/A9	ZGE-TG-125158-D/A12 ZGE-TG-125158-D/A12
产品尺寸(mm) Dimension(mm)	Φ125*158 Φ125*158	Φ125*158 Φ125*158
光源平均寿命 Average life of light source	50000hrs 50000hrs	50000hrs 50000hrs
工作环境温度 Working Temperature (°C)	-20°C-55°C -20°C-55°C	-20°C-55°C -20°C-55°C
发光角度 Beam Angle	10°-90° 10°-90°	10°-90° 10°-90°
外壳材质 Shell Material	压铸铝+钢化玻璃 (优于同等级) Die-cast aluminum + tempered glass (Better than the same level)	压铸铝+钢化玻璃 (优于同等级) Die-cast aluminum + tempered glass (Better than the same level)
光源颜色 Color	单色/RGB/RGBW SINGLE COLOR/RGB/RGBW	单色/RGB/RGBW SINGLE COLOR/RGB/RGBW
LED类型 LED Type	9颗大功率灯珠 9PCS high power leds	12颗大功率灯珠 12PCS high power leds
输入电压 Input Voltage	24V/220V 24V/220V	DC24V/AC220 DC24V/AC220
功率 Power	6W/PCS 6W/PCS	9W/PCS 9W/PCS
功率因数 Power Factor	≥0.9 ≥0.9	≥0.9 ≥0.9
投射距离 Projection Distance	/	/
防护等级 IP Rate	IP66 IP66	IP66 IP66
适用环境 Applications	建筑轮廓,户外,河道,桥梁,等... Building outlines, outdoor, river channels, bridges, etc	建筑轮廓,户外,河道,桥梁,等... Building outlines, outdoor, river channels, bridges, etc

结构图 Structure Chart



灯具外壳采用优质铝合金

不锈钢及整体压铸灯体,造型别致,可调节方向及角度。

The lamp shell is made of high-quality aluminum alloy; Stainless steel and integral die-casting lamp body, unique shape, adjustable direction and angle.

内置恒流AC85V-AC265V宽电压驱动

确保灯具在不同国家、区域或电压不稳时可正常工作,另有低压DC24V驱动可供选择。

Built-in constant current AC85V-AC265V, wide voltage drive; Ensure that the lamps can work normally in different countries, regions or when the voltage is unstable, and there is also a low-voltage DC24V driver for selection.

灯具采用钢化玻璃及橡胶

硅胶密封,内部环氧树脂灌封,具有良好的防水性能。

The lamps are made of tempered glass and rubber; Silicone seal, internal epoxy resin potting, with good waterproof performance.

灯具控制方式

单色常亮效果(红、绿、蓝、黄、白、暖白); 内控同步RGB七彩变化; 外控同步RGB七彩变化; 国际标准DMX512协议控制系统;

Lamp control method: Constant color effect (red, green, blue, yellow, white, warm white); internal control synchronous RGB colorful change; external control synchronous RGB colorful change; international standard DMX512 protocol control system.

低耗高效光源

光通量高、显色性强、使用寿命可达50000小时以上。

Low-consumption and high-efficiency light source; The luminous flux is high, the color rendering is strong, and the life can reach more than 50,000 hours.

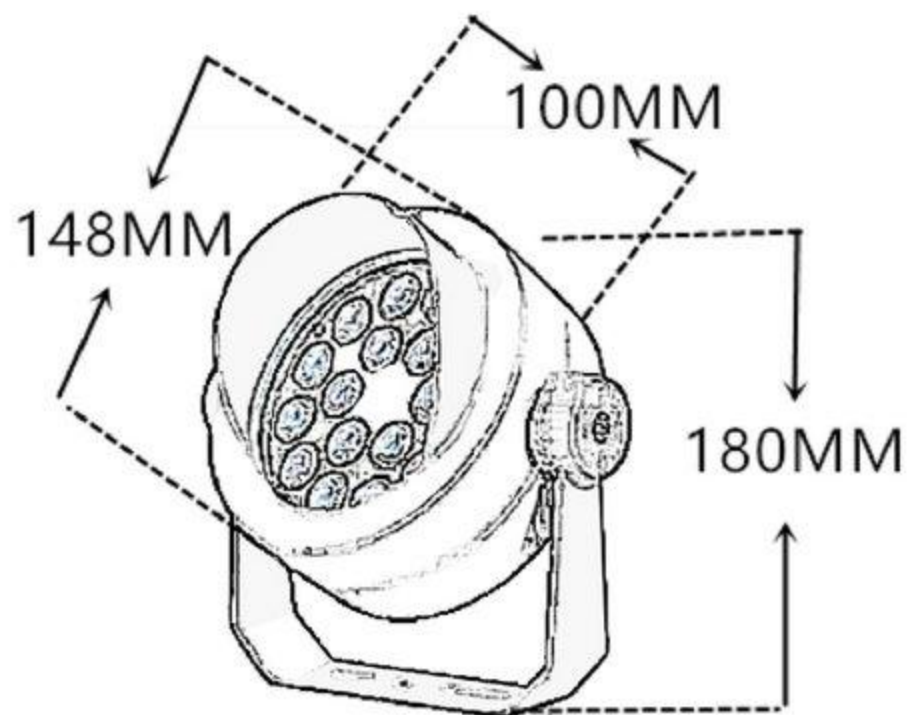
防护等级

IP65
IP RATE:
IP65

技术参数 Technical Parameters

产品型号: ITEM NO.	ZGE-TG-148180-D/A18		
灯具类别 Light Category	LED投光灯 LED Project Lamp	电源驱动模式 Drive Mode	/
灯具型号 Item No.	ZGE-TG-148180-D/A18 ZGE-TG-148180-D/A18	光源类型 Light Source	18颗1W大功率灯珠 18pcs/1W high power leds
生产工艺 Production Process	结构防水 Structure Waterproof	光源颜色 Color	单色/RGB/RGBW SINGLE COLOR/RGB/RGBW
灯具尺寸(mm) Dimension(mm)	Φ148*180 Φ148*180mm	发光角度 Beam Angle	10-90° 10°-90°
工作环境温度(°C) Working Temperature (°C)	-20°C~55°C -20°C~55°C	光源寿命(H) Light Source Life (H)	50000 50000hrs
外壳材质 Shell Material	压铸铝+钢化玻璃 (优于同等级) Die-cast aluminum + tempered glass (Better than the same level)	功率因素 Power Factor	≥0.9 ≥0.9
灯具重量 Lamp Weight	/	投射距离 Projection Distance	/
功率 Power	18W 18W	防护等级 IP Rate	IP66 IP66
输入电压 Input Voltage	24V/220V 24V/220V	适用环境 Applications	建筑轮廓,户外,河道,桥梁,等... Building outlines, outdoor, river channels, bridges, etc

结构图 Structure Chart



灯具外壳采用优质铝合金

不锈钢及整体压铸灯体, 造型别致, 可调节方向及角度。
The lamp shell is made of high-quality aluminum alloy. Stainless steel and integral die-casting lamp body, unique shape, adjustable direction and angle.

灯具采用钢化玻璃及橡胶

硅胶密封, 内部环氧树脂灌封, 具有良好的防水性能。
The lamps are made of tempered glass and rubber. Silicone seal, internal epoxy resin potting, with good waterproof performance.

低耗高效光源

光通量高, 显色性强, 使用寿命可达50000小时以上。
Low-consumption and high-efficiency light source. The luminous flux is high, the color rendering is strong, and the life can reach more than 50,000 hours.

内置恒流AC85V-AC265V宽电压驱动,

确保灯具在不同国家、区域或电压不稳时可正常工作, 另有低压DC24V驱动可供选择。

Built-in constant current AC85V-AC265V, wide voltage drive. Ensure that the lamps can work normally in different countries, regions or when the voltage is unstable, and there is also a low-voltage DC24V driver for selection.

灯具控制方式

单色常亮效果 (红、绿、蓝、黄、白、暖白); 内控同步RGB七彩变化; 外控同步RGB七彩变化; 国际标准DMX512协议控制系统。
Lamp control method: Constant color effect (red, green, blue, yellow, white, warm white); internal control synchronous RGB colorful change; external control synchronous RGB colorful change; international standard DMX512 protocol control system.

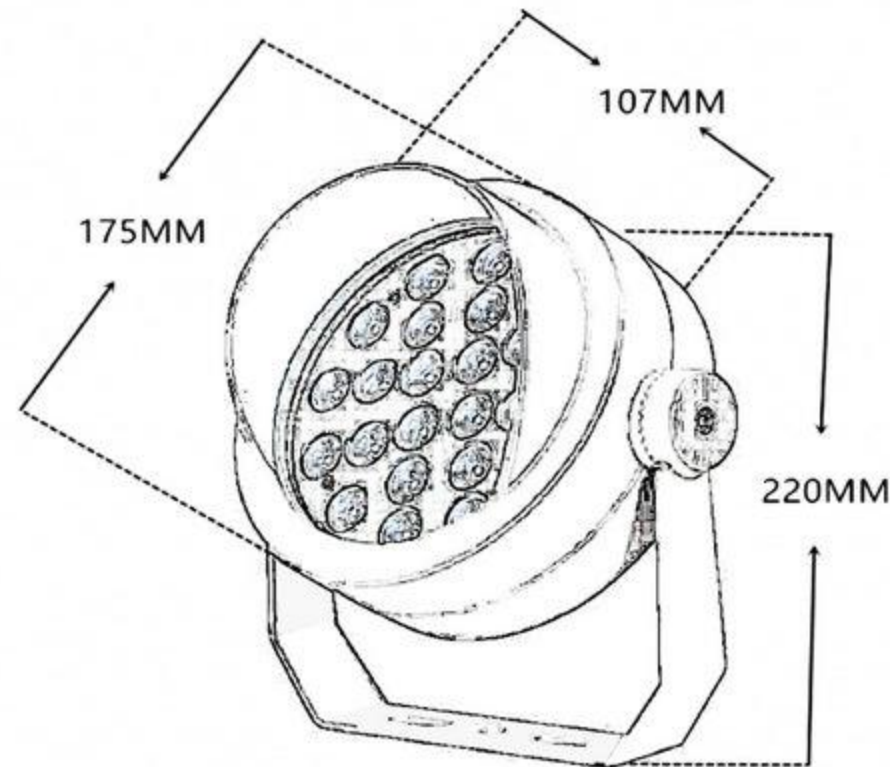
防护等级

IP66
IP RATE:
IP66

技术参数 Technical Parameters

产品型号: ITEM NO.	ZGE-TG-175220-D/A24		
灯具类别 Light Category	LED投光灯 LED Project Lamp	电源驱动模式 Drive Mode	/
灯具型号 Item No.	ZGE-TG-175220-D/A24 ZGE-TG-175220-D/A24	光源类型 Light Source	24颗1W大功率灯珠 24pcs/1W high power leds
生产工艺 Production Process	结构防水 Structure Waterproof	光源颜色 Color	单色/RGB/RGBW SINGLE COLOR/RGB/RGBW
灯具尺寸(mm) Dimension(mm)	Φ175*220 Φ175*220mm	发光角度 Beam Angle	10°-90° 10°-90°
工作环境温度(°C) Working Temperature (°C)	-20°C~55°C -20°C~55°C	光源寿命(H) Light Source Life (H)	50000 50000hrs
外壳材质 Shell Material	压铸铝+钢化玻璃 (优于同等级) Die-cast aluminum + tempered glass (Better than the same level)	功率因素 Power Factor	≥0.9 ≥0.9
灯具重量 Lamp Weight	/	投射距离 Projection Distance	/
功率 Power	24W 24W	防护等级 IP Rate	IP66 IP66
输入电压 Input Voltage	24V/220V 24V/220V	适用环境 Applications	建筑轮廓,户外,河道,桥梁,等... Building outlines, outdoor, river channels, bridges, etc

结构图 Structure Chart



灯具外壳采用优质铝合金

不锈钢及整体压铸灯体,造型别致,可调节方向及角度

The lamp shell is made of high-quality aluminum alloy. Stainless steel and integral die-casting lamp body, unique shape, adjustable direction and angle.

内置恒流AC85V-AC265V 宽电压驱动

确保灯具在不同国家、区域或电压不稳时可正常工作,另有低压DC24V驱动可供选择。

Built-in constant current AC85V-AC265V, wide voltage drive. Ensure that the lamps can work normally in different countries, regions or when the voltage is unstable, and there is also a low-voltage DC24V driver for selection.

灯具采用钢化玻璃及橡胶

硅胶密封,内部环氧树脂灌封,具有良好的防水性能。

The lamps are made of tempered glass and rubber. Silicone seal, internal epoxy resin potting, with good waterproof performance.

灯具控制方式

单色常亮效果(红、绿、蓝、黄、白、暖白);内控同步RGB七彩变化;外控同步RGB七彩变化;国际标准DMX512协议控制系统;

Lamp control method: Constant color effect (red, green, blue, yellow, white, warm white); internal control synchronous RGB colorful change; external control synchronous RGB colorful change; international standard DMX512 protocol control system.

低耗高效光源

光通量高、显色性强、使用寿命可达50000小时以上。

Low-consumption and high-efficiency light source. The luminous flux is high, the color rendering is strong, and the life can reach more than 50,000 hours.

防护等级

IP66

IP RATE:
IP66



LED Round Project Lamp

LED 圆形投光灯

ZGE-TG-Φ220270-D/A36/48



应用场所 Applications

广泛应用于公园、广场、写字楼、酒吧、酒店及建筑外墙、楼体立柱、广场灯光、园林树木、道路等室外亮化。

It is widely used in outdoor lighting such as parks, squares, office buildings, bars, hotels and building exterior walls, building wheels, square lights, garden trees, roads, etc.



LED Round Project Lamp

LED 圆形投光灯

ZGE-TG-10590-D/A6/9/12



产品特点 Features

- 高亮度：
采用德国欧司朗芯片RGB三合一光源/RGBW四合一光源/原装美国科锐光源，发光均匀，亮度高，光色一致性好。
- 防水防尘：
灯具采用特制氧化铝型材为底座，绝缘阻燃硅胶填充，防护等级可达IP67。
- 安全可靠：
直流24V安全低电压供电或AC220V安全接地供电，施工操作安全。
- 高寿命：
LED光源寿命可达50,000小时。
- 节能：
单位面积或单位长度比传统的霓虹灯节省电力90%以上，从而节省了电费支出，降低运行成本。
- 易安装：
配有特制安装支座，可采用螺丝固定安装在所需的地方，操作简单。

High brightness: Using OSRAM RGB chip/RGBW chip, original American Cree chip, uniform light emission, high brightness, good light color consistency.

Waterproof and dustproof: The lamp adopts a special aluminum oxide profile as the base, and is filled with insulating and flame-retardant silicone. The protection level can reach IP67.

Safe and reliable: DC 24V safe low-voltage power supply or AC220V safe grounding power supply, safe construction operation.

Long life: LED light source life can reach 50,000 hours.

Energy saving: The unit area or unit length saves more than 90% of electricity compared with traditional neon lights, thereby saving electricity expenses and reducing operating costs.

Easy to install: Equipped with a special installation support, which can be fixed and installed in the required place with screws, and the operation is simple.

应用场所 Applications

该系列LED投光灯色彩多样，光色输出柔和，饱和度高，有红、黄、绿、蓝、白、全彩等多种色彩可供客户选择。

此系列被广泛应用于室内外广告招牌、大厦外墙、景观装饰、酒店夜总会、购物商场的轮廓勾边或模拟全彩的显示屏。专业人员可利用它来发挥无限创意。

This series of LED project lamps have various colors, soft light color output, high saturation, and a variety of colors such as red, yellow, green, blue, white, and full color for customers to choose. They are widely used in indoor and outdoor advertising signs, building exterior walls, landscape decoration, hotel nightclubs, shopping mall outlines or simulated full-color display screens. Professionals can use it to unleash unlimited creativity.



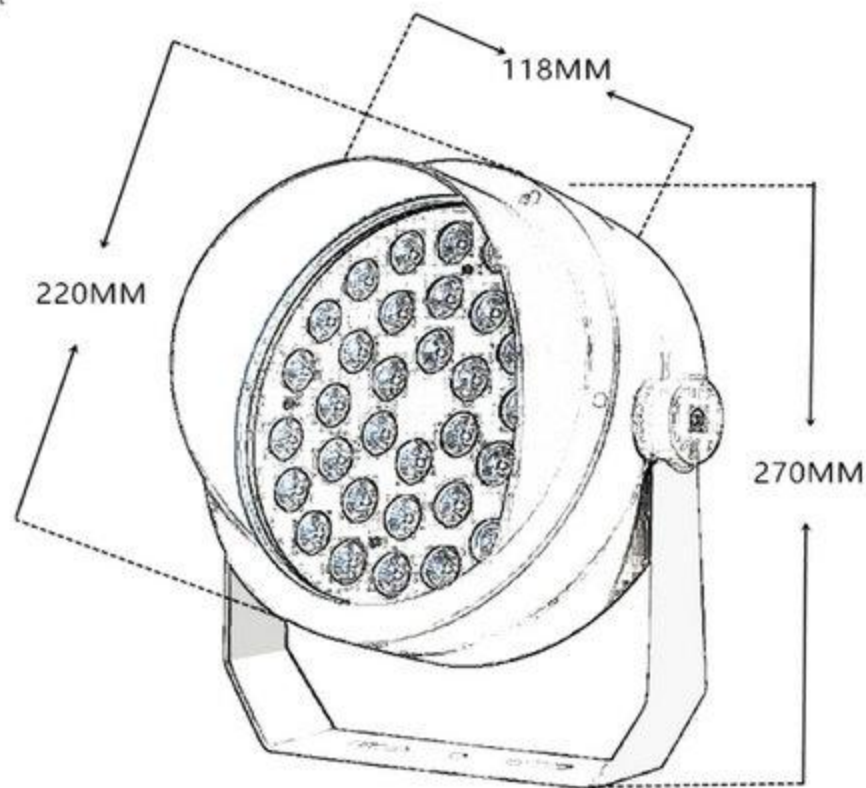
单色 Single Color



技术参数 Technical Parameters

产品型号: ITEM NO.	ZGE-TG-Φ220270-D/A36/48		
灯具类别 Light Category	LED投光灯 LED Project Lamp	电源驱动模式 Drive Mode	/
灯具型号 Item No.	ZGE-TG-Φ220270-D/A36/48 ZGE-TG-Φ220270-D/A36/48	光源类型 Light Source	36/48颗1W大功率灯珠 36/48pcs/1W high power leds
生产工艺 Production Process	结构防水 Structure Waterproof	光源颜色 Color	单色/RGB/RGBW SINGLE COLOR/RGB/RGBW
灯具尺寸(mm) Dimension(mm)	Φ220*270 Φ220*270mm	发光角度 Beam Angle	10-90° 10°-90°
工作环境温度(°C) Working Temperature(°C)	-20°C~55°C -20°C~55°C	光源寿命(H) Light Source Life (H)	50000 50000hrs
外壳材质 Shell Material	压铸铝+钢化玻璃 (优于同等级) Die-cast aluminum + tempered glass (Better than the same level)	功率因素 Power Factor	≥0.9 ≥0.9
灯具重量 Lamp Weight	/	投射距离 Projection Distance	/
功率 Power	36/48W 36/48W	防护等级 IP Rate	IP66 IP66
输入电压 Input Voltage	24V/220V 24V/220V	适用环境 Applications	建筑轮廓, 户外/水下显示屏幕, 河道, 桥梁, 等... Building outlines, outdoor/underwater display screens, river channels, bridges, etc...

结构图 Structure Chart



灯具外壳采用优质铝合金

不锈钢及整体压铸灯体, 造型别致, 可调节方向及角度。

The lamp shell is made of high-quality aluminum alloy. Stainless steel and integral die-casting lamp body, unique shape, adjustable direction and angle.

灯具采用钢化玻璃及橡胶

硅胶密封, 内部环氧树脂灌封, 具有良好的防水性能。

The lamps are made of tempered glass and rubber. Silicone seal, internal epoxy resin potting, with good waterproof performance.

低耗高效光源

光通量高、显色性强、使用寿命可达50000小时以上。

Low-consumption and high-efficiency light source. The luminous flux is high, the color rendering is strong, and the life can reach more than 50,000 hours.

内置恒流AC85V-AC265V宽电压驱动,

确保灯具在不同国家、区域或电压不稳时可正常工作, 另有低压DC24V驱动可供选择。

Built-in constant current AC85V-AC265V, wide voltage drive. Ensure that the lamps can work normally in different countries, regions or when the voltage is unstable, and there is also a low-voltage DC24V driver for selection.

灯具控制方式

单色常亮效果 (红、绿、蓝、黄、白、暖白); 内控同步RGB七彩变化; 外控同步RGB七彩变化; 国际标准DMX512协议控制系统。

Lamp control method: Constant color effect (red, green, blue, yellow, white, warm white); internal control synchronous RGB colorful change; external control synchronous RGB colorful change; international standard DMX512 protocol control system.

防护等级

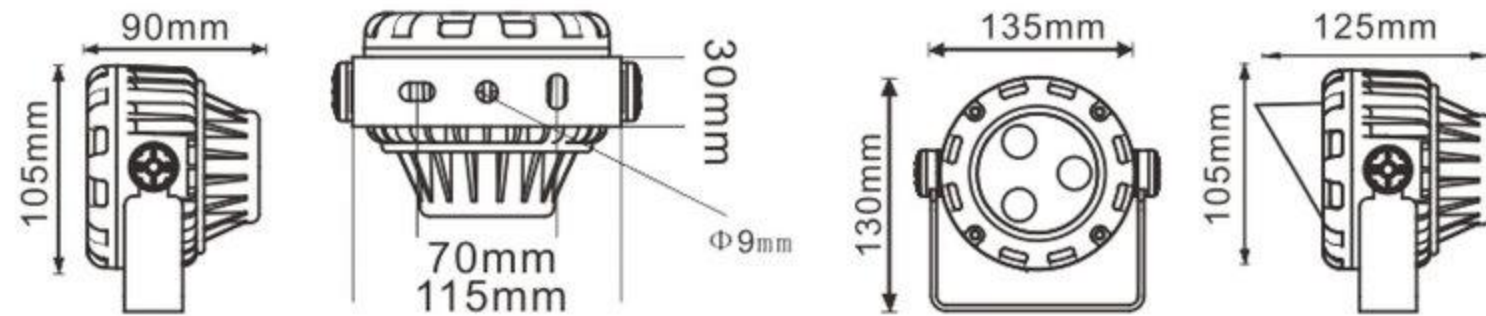
IP66

IP RATE:
IP66

技术参数 Technical Parameters

产品型号: ITEM NO.	ZGE-TG-10590-D/A6	ZGE-TG-10590-D/A9	ZGE-TG-10590-D/A12
灯具类别 Light Category	LED投光灯 LED Project Lamp	LED投光灯 LED Project Lamp	LED投光灯 LED Project Lamp
产品型号 Item No.	ZGE-TG-10590-D/A6 ZGE-TG-10590-D/A6	ZGE-TG-10590-D/A9 ZGE-TG-10590-D/A9	ZGE-TG-10590-D/A12 ZGE-TG-10590-D/A12
产品尺寸(mm) Dimension(mm)	Φ105*90 Φ105*90	Φ105*90 Φ105*90	Φ105*90 Φ105*90
光源平均寿命 Average life of light source	50000hrs 50000hrs	50000hrs 50000hrs	50000hrs 50000hrs
工作环境温度 Working Temperature (°C)	-20°C-55°C -20°C-55°C	-20°C-55°C -20°C-55°C	-20°C-55°C -20°C-55°C
发光角度 Beam Angle	10°-90° 10°-90°	10°-90° 10°-90°	10°-90° 10°-90°
外壳材质 Shell Material	压铸铝+钢化玻璃 (优于同等级) Die-cast aluminum + tempered glass(Better than the same level)	压铸铝+钢化玻璃 (优于同等级) Die-cast aluminum + tempered glass(Better than the same level)	压铸铝+钢化玻璃 (优于同等级) Die-cast aluminum + tempered glass(Better than the same level)
光源颜色 Color	单色/RGB/RGBW SINGLE COLOR/RGB/RGBW	单色/RGB/RGBW SINGLE COLOR/RGB/RGBW	单色/RGB/RGBW SINGLE COLOR/RGB/RGBW
LED类型 LED Type	6颗大功率灯珠 6PCS high power leds	9颗大功率灯珠 9PCS high power leds	12颗大功率灯珠 12PCS high power leds
输入电压 Input Voltage	24V/220V 24V/220V	24V/220V 24V/220V	24V/220V 24V/220V
功率 Power	6W/PCS 6W/PCS	9W/PCS 9W/PCS	12W/PCS 12W/PCS
功率因数 Power Factor	≥0.9 ≥0.9	≥0.9 ≥0.9	≥0.9 ≥0.9
投射距离 Projection Distance	/	/	/
防护等级 IP Rate	IP66 IP66	IP66 IP66	IP66 IP66
适用环境 Applications	建筑轮廓,户外,河道,桥梁,等... Building outlines, outdoor, river channels, bridges, etc	建筑轮廓,户外,河道,桥梁,等... Building outlines, outdoor, river channels, bridges, etc	建筑轮廓,户外,河道,桥梁,等... Building outlines, outdoor, river channels, bridges, etc

结构图 Structure Chart





LED 投射灯系列

LED 方形投光灯

LED PROJECT LAMP SERIES
LED FLOOD LIGHT

LED Flood Light

LED 方形投光灯

ZGE-TG-150150205-D/A16/24/36



产品特点 Features

- 高亮度：
采用德国欧司朗芯片RGB三合一光源/RGBW四合一光源/原装美国科锐光源，发光均匀，亮度高，光色一致性好。
- 防水防尘：
灯具采用特制氧化铝型材为底座，绝缘阻燃硅胶填充，防护等级可达IP67。
- 安全可靠：
直流24V安全低电压供电或AC220V安全接地供电，施工操作安全。
- 高寿命：
LED光源寿命可达50,000小时。
- 节能：
单位面积或单位长度比传统的霓虹灯节省电力90%以上，从而节省了电费支出，降低运行成本。
- 易安装：
配有特制安装支座，可采用螺丝固定安装在所需的地方，操作简单。

High brightness: Using OSRAM RGB chip/RGBW chip, original American Cree chip, uniform light emission, high brightness, good light color consistency.
Waterproof and dustproof: The lamp adopts a special aluminum oxide profile as the base, and is filled with insulating and flame-retardant silicone. The protection level can reach IP67.
Safe and reliable: DC 24V safe low-voltage power supply or AC220V safe grounding power supply, safe construction operation.
Long life: LED light source life can reach 50,000 hours.
Energy saving: The unit area or unit length saves more than 90% of electricity compared with traditional neon lights, thereby saving electricity expenses and reducing operating costs.
Easy to install: Equipped with a special installation support, which can be fixed and installed in the required place with screws, and the operation is simple.

应用场所 Applications

该系列LED投光灯色彩多样，光色输出柔和，饱和度高，有红、黄、绿、蓝、白、全彩等多种色彩可供客户选择。

此系列被广泛应用于室内外广告招牌、大厦外墙、景观装饰、酒店夜总会、购物商场的轮廓勾边或模拟全彩的显示屏。专业人员可利用它来发挥无限创意。

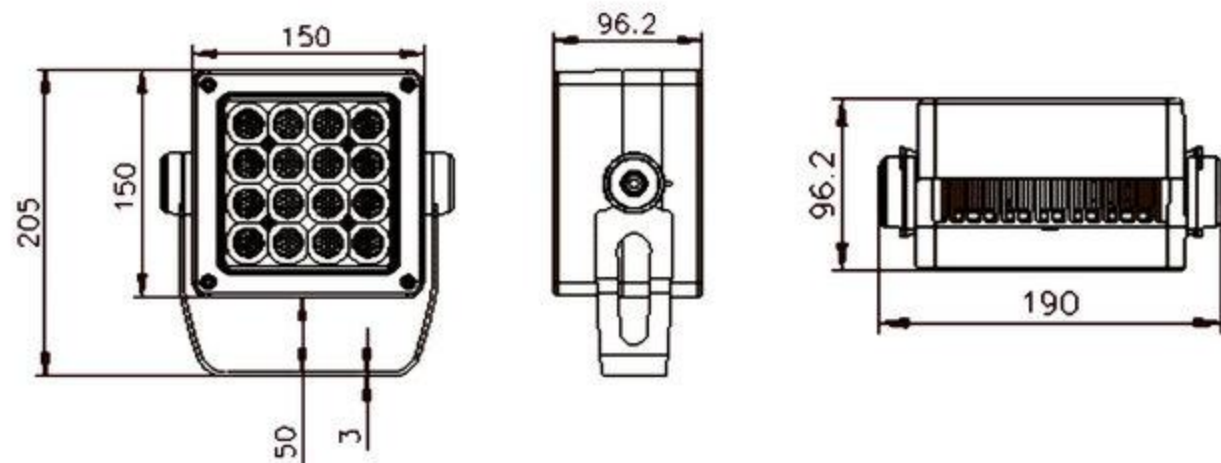
This series of LED project lamps have various colors, soft light color output, high saturation, and a variety of colors such as red, yellow, green, blue, white, and full color for customers to choose. They are widely used in indoor and outdoor advertising signs, building exterior walls, landscape decoration, hotel nightclubs, shopping mall outlines or simulated full-color display screens. Professionals can use it to unleash unlimited creativity.



技术参数 Technical Parameters

产品型号: ITEM NO.	ZGE-TG-150150205-D/A16	ZGE-TG-150150205-D/A24	ZGE-TG-150150205-D/A36
灯具类别 Light Category	LED投光灯 LED Project Lamp	LED投光灯 LED Project Lamp	LED投光灯 LED Project Lamp
产品型号 Item No.	ZGE-TG-150150205-D/A16 ZGE-TG-150150205-D/A16	ZGE-TG-150150205-D/A24 ZGE-TG-150150205-D/A24	ZGE-TG-150150205-D/A36 ZGE-TG-150150205-D/A36
产品尺寸(mm) Dimension(mm)	SQ150*205 SQ150*205	SQ150*205 SQ150*205	SQ150*205 SQ150*205
光源平均寿命 Average life of light source	50000 50000hrs	50000 50000hrs	50000 50000hrs
工作环境温度 Working Temperature (°C)	-20°C-55°C -20°C-55°C	-20°C-55°C -20°C-55°C	-20°C-55°C -20°C-55°C
发光角度 Beam Angle	10°-90° 10°-90°	10°-90° 10°-90°	10°-90° 10°-90°
外壳材质 Shell Material	压铸铝+钢化玻璃 (优于同等级) Die-cast aluminum + tempered glass(Better than the same level)	压铸铝+钢化玻璃 (优于同等级) Die-cast aluminum + tempered glass(Better than the same level)	压铸铝+钢化玻璃 (优于同等级) Die-cast aluminum + tempered glass(Better than the same level)
光源颜色 Color	单色/RGB/RGBW SINGLE COLOR/RGB/RGBW	单色/RGB/RGBW SINGLE COLOR/RGB/RGBW	单色/RGB/RGBW SINGLE COLOR/RGB/RGBW
LED类型 LED Type	1W/颗 1PCS/1W	1W/颗 1PCS/1W	1W/颗 1PCS/1W
输入电压 Input Voltage	24V/220V 24V/220V	24V/220V 24V/220V	24V/220V 24V/220V
功率 Power	16W/PCS 16W/PCS	24W/PCS 24W/PCS	36W/PCS 36W/PCS
功率因数 Power Factor	≥0.9 ≥0.9	≥0.9 ≥0.9	≥0.9 ≥0.9
投射距离 Projection Distance	/	/	/
防护等级 IP Rate	IP66 IP66	IP66 IP66	IP66 IP66
适用环境 Applications	建筑轮廓,户外,河道,桥梁,等... Building outlines, outdoor, river channels, bridges, etc	建筑轮廓,户外,河道,桥梁,等... Building outlines, outdoor, river channels, bridges, etc	建筑轮廓,户外,河道,桥梁,等... Building outlines, outdoor, river channels, bridges, etc

结构图 Structure Chart



防水防尘

灯具采用特制氧化铝型材为底座,绝缘阻燃硅胶填充,防护等级可达IP67。

Waterproof and dustproof:
The lamp adopts a special aluminum oxide profile as the base, and is filled with insulating and flame-retardant silicone. The protection level can reach IP67.

高亮度

采用德国欧司朗芯片RGB三合一光源/RGBW四合一光源/原装美国科锐光源,发光均匀,亮度高,光色一致性好。

High brightness:
Using OSRAM RGB chip/RGBW chip, original American Cree chip, uniform light emission, high brightness, good light color consistency



LED Flood Light

LED 方形投光灯

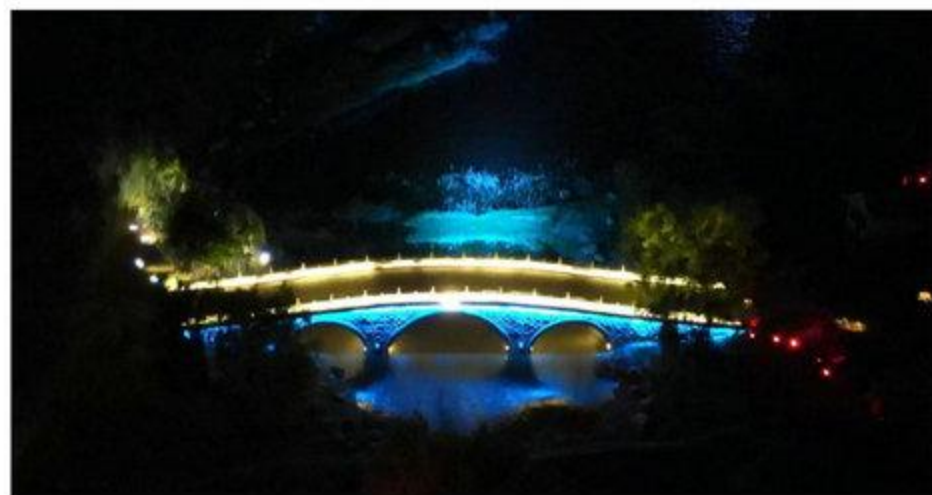
ZGE-TG-W65/W105



应用场所 Applications

广泛应用于公园、广场、写字楼、酒吧、酒店及建筑外墙、楼体立柱、广场灯光、园林树木、道路等室外亮化。

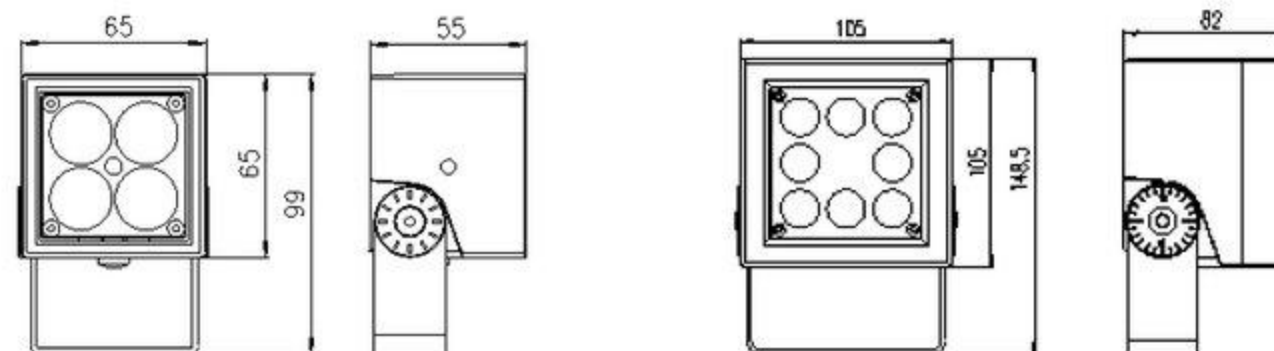
It is widely used in outdoor lighting such as parks, squares, office buildings, bars, hotels and building exterior walls, building wheels, square lights, garden trees, roads, etc.



技术参数 Technical Parameters

产品型号: ITEM NO.	ZGE-TG-W65	产品型号: ITEM NO.	ZGE-TG-W105
灯具类别 Light Category	LED投光灯 LED Project Lamp	灯具类别 Light Category	LED投光灯 LED Project Lamp
灯具型号 Item No.	ZGE-TG-W65 ZGE-TG-W65	灯具型号 Item No.	ZGE-TG-W105 ZGE-TG-W105
生产工艺 Production Process	结构防水 Structure Waterproof	生产工艺 Production Process	结构防水 Structure Waterproof
灯具尺寸(mm) Dimension(mm)	W65*55*100 W65*55*100	灯具尺寸(mm) Dimension(mm)	W105*82*150 W105*82*150
工作环境温度(°C) Working Temperature (°C)	-20°C~55°C -20°C~55°C	工作环境温度(°C) Working Temperature (°C)	-20°C~55°C -20°C~55°C
外壳材质 Shell Material	压铸铝+钢化玻璃 (优于同等级) Die-cast aluminum + tempered glass(Better than the same level)	外壳材质 Shell Material	压铸铝+钢化玻璃 (优于同等级) Die-cast aluminum + tempered glass(Better than the same level)
灯具重量 Lamp Weight	/	灯具重量 Lamp Weight	/
功率 Power	单色: 6/9W / RGBW: 9/12W SINGLE COLOR: 6W/9W / RGBW: 9/12W	功率 Power	单色: 12W/15W / RGBW: 15/18W SINGLE COLOR: 12W/15W / RGBW: 15/18W
输入电压 Input Voltage	24V/220V 24V/220V	输入电压 Input Voltage	24V/220V 24V/220V
电源驱动模式 Drive Mode	/	电源驱动模式 Drive Mode	/
光源颜色 Color	单色/RGB/RGBW SINGLE COLOR/RGB/RGBW	光源颜色 Color	单色/RGB/RGBW SINGLE COLOR/RGB/RGBW
发光角度 Beam Angle	10-90° 10-90°	发光角度 Beam Angle	10-90° 10-90°
光源寿命(H) Light Source Life (H)	50000 50000hrs	光源寿命(H) Light Source Life (H)	50000 50000hrs
功率因素 Power Factor	≥0.9 ≥0.9	功率因素 Power Factor	≥0.9 ≥0.9
投射距离 Projection Distance	/	投射距离 Projection Distance	/
防护等级 IP Rate	IP66 IP66	防护等级 IP Rate	IP66 IP66
适用环境 Applications	建筑轮廓,户外,河道,桥梁,等... Building outlines, outdoor, river channels, bridges, etc	适用环境 Applications	建筑轮廓,户外,河道,桥梁,等... Building outlines, outdoor, river channels, bridges, etc

结构图 Structure Chart



LED Flood Light

LED 方形投光灯

ZGE-TG-W160/W185/W220



应用场所 Applications

广泛应用于公园、广场、写字楼、酒吧、酒店及建筑外墙、楼体立柱、广场灯光、园林树木、道路等室外亮化。

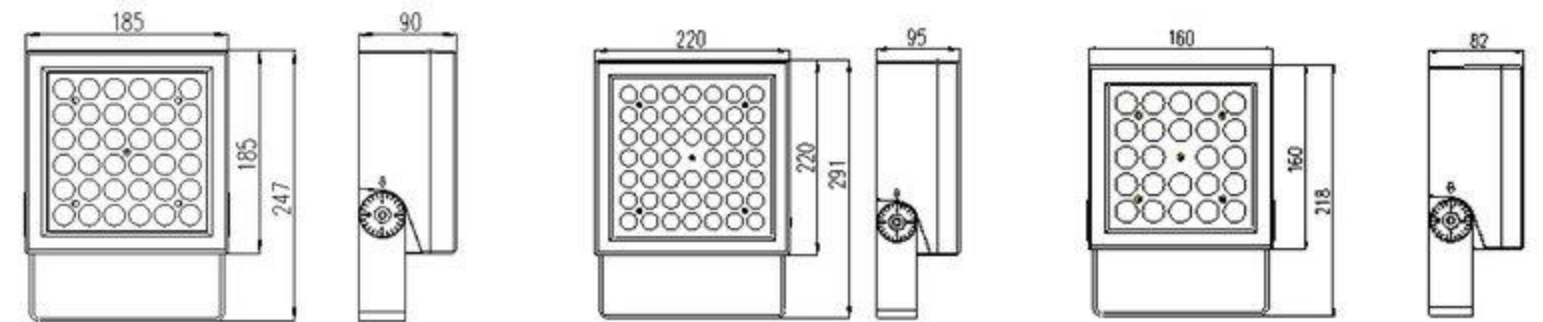
It is widely used in outdoor lighting such as parks, squares, office buildings, bars, hotels and building exterior walls, building wheels, square lights, garden trees, roads, etc.



技术参数 Technical Parameters

产品型号: ITEM NO.	ZGE-TG-W160	ZGE-TG-W185	ZGE-TG-W220
灯具类别 Light Category	LED投光灯 LED Project Lamp	LED投光灯 LED Project Lamp	LED投光灯 LED Project Lamp
灯具型号 Item No.	ZGE-TG-W160 ZGE-TG-W160	ZGE-TG-W185 ZGE-TG-W185	ZGE-TG-W220 ZGE-TG-W220
生产工艺 Production Process	结构防水 Structure Waterproof	结构防水 Structure Waterproof	结构防水 Structure Waterproof
灯具尺寸(mm) Dimension(mm)	W160*82*218 W160*82*218	W185*90*247 W185*90*247	W220*95*290 W220*95*290
工作环境温度(°C) Working Temperature (°C)	-20°C~55°C -20°C~55°C	-20°C~55°C -20°C~55°C	-20°C~55°C -20°C~55°C
外壳材质 Shell Material	压铸铝+钢化玻璃 (优于同等级) Die-cast aluminum + tempered glass(Better than the same level)	压铸铝+钢化玻璃 (优于同等级) Die-cast aluminum + tempered glass(Better than the same level)	压铸铝+钢化玻璃 (优于同等级) Die-cast aluminum + tempered glass(Better than the same level)
灯具重量 Lamp Weight	/	/	/
功率 Power	单色: 36W / RGBW: 24W SINGLE COLOR: 36W / RGBW: 24W	单色: 48W / RGBW: 36/48W SINGLE COLOR: 48W / RGBW: 36/48W	单色: 60/72W / RGBW: 72W SINGLE COLOR: 60/72W / RGBW: 72W
输入电压 Input Voltage	24V/220V 24V/220V	24V/220V 24V/220V	24V/220V 24V/220V
电源驱动模式 Drive Mode	/	/	/
光源颜色 Color	单色/RGB/RGBW SINGLE COLOR/RGB/RGBW	单色/RGB/RGBW SINGLE COLOR/RGB/RGBW	单色/RGB/RGBW SINGLE COLOR/RGB/RGBW
发光角度 Beam Angle	10-90° 10-90°	10-90° 10-90°	10-90° 10-90°
光源寿命(H) Light Source Life (H)	50000 50000hrs	50000 50000hrs	50000 50000hrs
功率因素 Power Factor	≥0.9 ≥0.9	≥0.9 ≥0.9	≥0.9 ≥0.9
投射距离 Projection Distance	/	/	/
防护等级 IP Rate	IP66 IP66	IP66 IP66	IP66 IP66
适用环境 Applications	建筑轮廓,户外,河道,桥梁,等... Building outlines, outdoor, river channels, bridges, etc	建筑轮廓,户外,河道,桥梁,等... Building outlines, outdoor, river channels, bridges, etc	建筑轮廓,户外,河道,桥梁,等... Building outlines, outdoor, river channels, bridges, etc

结构图 Structure Chart



LED Flood Light

LED 方形投光灯

ZGE-TG-W380/W460



应用场所 Applications

广泛应用于公园、广场、写字楼、酒吧、酒店及建筑外墙、楼体立柱、广场灯光、园林树木、道路等室外亮化。

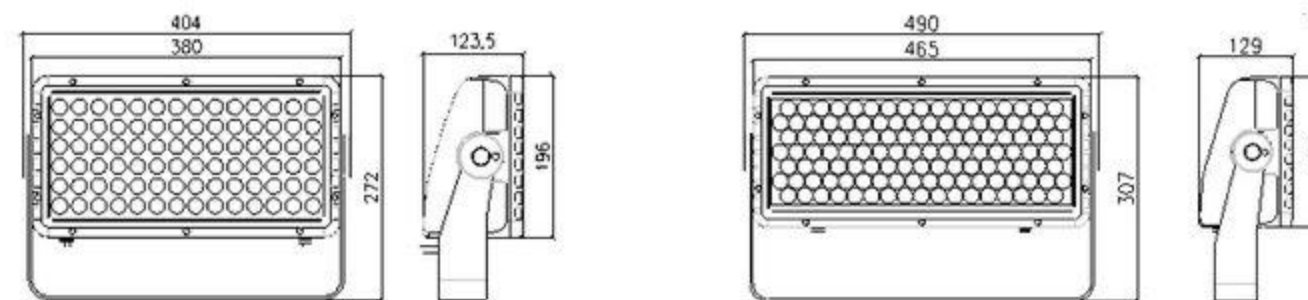
It is widely used in outdoor lighting such as parks, squares, office buildings, bars, hotels and building exterior walls, building wheels, square lights, garden trees, roads, etc.



技术参数 Technical Parameters

产品型号: ITEM NO.	ZGE-TG-W380	产品型号: ITEM NO.	ZGE-TG-W460
灯具类别 Light Category	LED投光灯 LED Project Lamp	灯具类别 Light Category	LED投光灯 LED Project Lamp
灯具型号 Item No.	ZGE-TG-W380	灯具型号 Item No.	ZGE-TG-W460
生产工艺 Production Process	结构防水 Structure Waterproof	生产工艺 Production Process	结构防水 Structure Waterproof
灯具尺寸(mm) Dimension(mm)	W405*124*280 W405*124*280	灯具尺寸(mm) Dimension(mm)	W490*130*307 W490*130*307
工作环境温度(°C) Working Temperature (°C)	-20°C~55°C -20°C~55°C	工作环境温度(°C) Working Temperature (°C)	-20°C~55°C -20°C~55°C
外壳材质 Shell Material	压铸铝+钢化玻璃 (优于同等级) Die-cast aluminum + tempered glass(Better than the same level)	外壳材质 Shell Material	压铸铝+钢化玻璃 (优于同等级) Die-cast aluminum + tempered glass(Better than the same level)
灯具重量 Lamp Weight	/	灯具重量 Lamp Weight	/
功率 Power	单色: 120W / RGBW: 120W~150W SINGLE COLOR: 120W / RGBW: 120W~150W	功率 Power	单色: 150W / RGBW: 200W SINGLE COLOR: 150W / RGBW: 200W
输入电压 Input Voltage	24V/220V 24V/220V	输入电压 Input Voltage	24V/220V 24V/220V
电源驱动模式 Drive Mode	/	电源驱动模式 Drive Mode	/
光源颜色 Color	单色/RGB/RGBW SINGLE COLOR/RGB/RGBW	光源颜色 Color	单色/RGB/RGBW SINGLE COLOR/RGB/RGBW
发光角度 Beam Angle	10-90° 10-90°	发光角度 Beam Angle	10-90° 10-90°
光源寿命(H) Light Source Life (H)	50000 50000hrs	光源寿命(H) Light Source Life (H)	50000 50000hrs
功率因素 Power Factor	≥0.9 ≥0.9	功率因素 Power Factor	≥0.9 ≥0.9
投射距离 Projection Distance	/	投射距离 Projection Distance	/
防护等级 IP Rate	IP66 IP66	防护等级 IP Rate	IP66 IP66
适用环境 Applications	建筑轮廓,户外,河道,桥梁,等... Building outlines, outdoor, river channels, bridges, etc	适用环境 Applications	建筑轮廓,户外,河道,桥梁,等... Building outlines, outdoor, river channels, bridges, etc

结构图 Structure Chart



企业精神与经营理念 ENTERPRISE SPIRIT AND MANAGEMENT IDEA

3+3核心竞争力 3 + 3 core competition



企业经营方针 ENTERPRISE MANAGEMENT

中科绿能以互信、互尊为基石,以开拓、创新增效益,以市场为导向,以品质与诚信作保证,整合资源,创造和谐与共赢。
Zhongke Green Energy take mutual trust, mutual respect as the cornerstone, expand and innovate to increase efficiency. Market-oriented, quality and integrity to ensure continuous integration of resources to create harmony and win-win.

企业价值观 CORPORATE VALUES

专业创造价值,品质与诚信赢得未来

Profession creates value, quality and integrity win the future

专业创造价值

品质与诚信赢得未来

PROFESSION CREATES VALUE

QUALITY AND INTEGRITY WIN THE FUTURE