



Medical wireless foot switch MKF 3 SW2.4LE-MED GP311 Material no.: on request

Product features

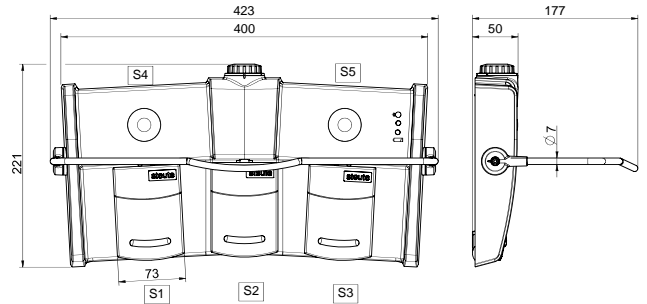


- Wireless signal transmission per steute wireless low energy
- Power supply via 3 commercially available batteries (AA)
- Typical battery life: 230 days
- Battery compartment can be opened by hand
- Additional push buttons for extra functionality (optional)
- Collapsible stainless steel carrying handle (optional)

Notes

- Photo shows optional accessories

Dimensions



General technical data

Applied standards

IEC 60601-1, ANSI/AAMI ES60601-1, IEC 62304, IEC 60529

Pedal

thermoplastic, shockproof, self-extinguishing UL 94 V-0/V-2

Housing

thermoplastic, shockproof, self-extinguishing UL 94 V-0,
Pantone Cool Gray 1C

Antenna

internal antenna

Degree of protection

IPX8 (IEC/EN 60529)

Voltage source

3 commercially available batteries, type AA

Switching elements

reed contact / micro switch / Hall sensor

Switching system

1 – 2 NO contacts

Mechanical life

> 1 million operations

Conformity

Global: cCSAus IEC 60601-1, -1-2, -2-22, -2-43

Europe: CE EN 300 328; EN 62479; EN 301 489-1; EN 62368-1

USA: FCC Title 47 CFR, Part 15

Canada: IC RSS-247, Issue 1

Japan: ARIB STD-T66

Wireless technology

Frequency

2.4 - 2.4835 GHz

Channel bandwidth

2 MHz

Wireless range

10 m (typical)

Output power

3 dBm - 7 dBm

Input sensitivity

-93 dBm

HF data rate

1 Mbps

Modulation principle

GFSK, adaptive frequency hopping of 40 channels

Interface data rate

115.2 kBd (UART)

Note

- Since this article is part of a medical product, it can only be validated in combination with the overall system. Proof of conformity to the Medical Device Regulation (MDR 2017/745) can therefore only be handled by the customer marketing the system. At the request of the customer, steute can affix a CE mark with the 4-digit number of the appropriate notified body.

Errors and omissions excepted.