




# SPECIFICATION

P/N: MED 2PX34AWG MR

Customer File NO. ....

Customer Signed by. ....

**SHS TECHNOLOGY CO.,LTD**  
**苏州尚虹鑫电子科技有限公司**

APPROVED	CHECK	DRAWING
 <p>徐磊 2022.12.3</p>	 <p>徐磊 2022.12.3</p>	 <p>王思哲 2022.12.3</p>

## 1. Scope

This specification covers mutil wire cable for medical equipment.

## 2. Construction and Material

Item		Unit	Specified Value
Conductor	Size	AWG	34
	Material	-	Tinned copper
	Stranding	No./mm	7/0.064
Insulation	Material	-	FEP
	Color	-	Blue/Yellow,Blue/Nature
	Thickness(Nom)	mm	0.052
	Concentricity	%	Min.85
	Diameter	mm	0.30±0.01
Twisted		-	See Fig.1
Shield	Material	-	Tinned copper
	Coverage	%	Nom.90
Jacket	Material	-	Medical TPE (Color: Mushroom)
	Thickness(Nom)	mm	0.45
	Diameter	mm	2.20±0.20

\*Add the filler to make the cable round if necessary.

## 3. Electrical Properties

Item	Unit	Specified Value
Conductor Resistance (@ 20°C)	Ω/km	Max. 900
Insulation resistance (@ 20°C)	MΩ -km	Min. 500
Dielectric Strength <sup>1)</sup>	-	To withstand A.C. 500V for 1min

1): Applied between each conductor.

#### **4. Package**

- 1). Unit length : According customer requirement.
- 2). Package: Coiled and then packed into carton box.

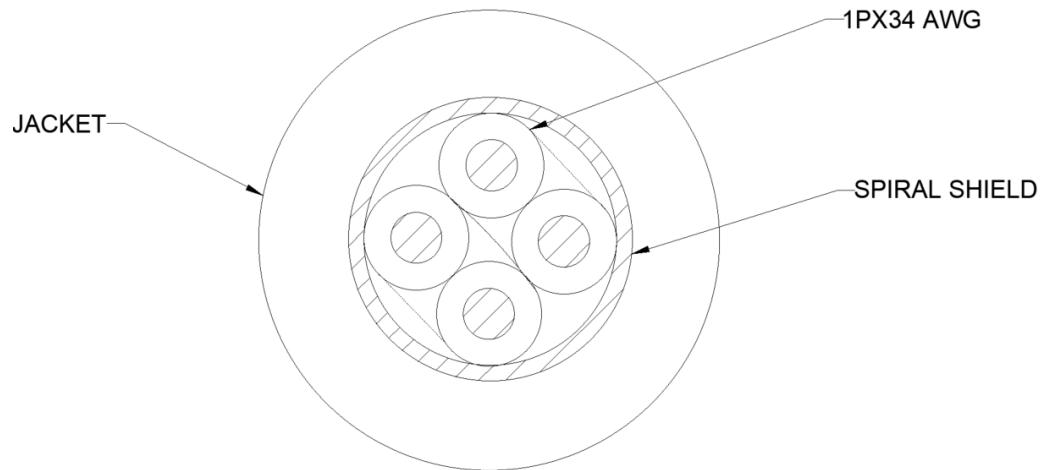


Fig.1 Cross section of cable

