

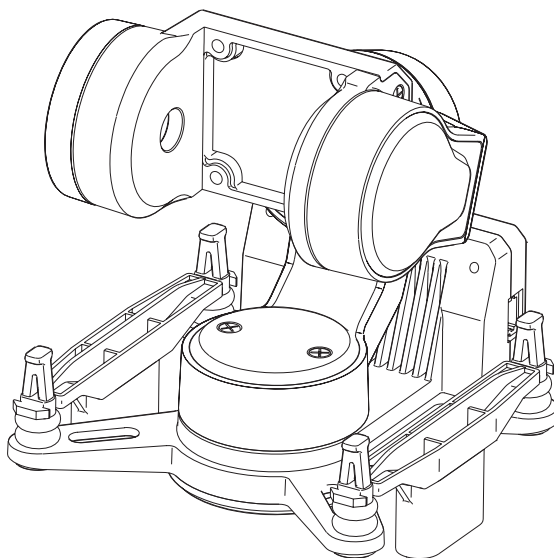
V1.4

2025.06

# C-20T

## 3-Axis FPV Gimbal

### User Manual



## Using this Manual – Legend



Important



Tips



Explanation

# Revision History

Date	Document Version
2024.05.30	V1.0

Date	Document Version
2024.11.19	V1.1

Date	Document Version
2024.12.19	V1.2

Date	Document Version
2025.01.16	V1.3

Date	Document Version
2025.06.04	V1.4

## Caution

Always stay alert when using C-20T 3-axis FPV Gimbal and its accessories to control an unmanned aerial vehicle (UAV) or other carriers. Careless may result in serious harm to yourself and others.

1. Make sure that the external power supply for the gimbal is a lithium battery (2S~6S) with an input voltage between 7.4V~26.4V. Otherwise, the gimbal may work abnormally or be damaged.
2. DO NOT short circuit the power output and GND. Otherwise, the equipment may be damaged and may not work properly.
3. Follow the instructions in the user manual when installing the gimbal. Incorrect installation may cause the gimbal to not work properly.
4. Make sure that all connectors are secure and all parts are work properly.
5. Make sure you fully understand and abide by local laws and regulations before using this product.
6. This product is not intended for children.

# Catalog

<b>Introduction</b>	<b>1</b>
<b>Diagram</b>	<b>1</b>
Gimbal	1
Accessories	2
<b>Installation</b>	<b>3</b>
O4 Pro	3
O4	7
O3	9
Standard	11
AV	13
<b>Controlling the C-20T</b>	<b>14</b>
Headtracker Direct Control	14
Private Protocol Control	14
S.BUS / CRSF Control	14
PWM Control	14
MAVLink Control	14
Gimbal Modes	15
Gimbal Sensitivity	16
Carrier AHRS Fusion	16
<b>Configuring, Calibrating &amp; Firmware Upgrading</b>	<b>17</b>
Connect the Gimbal	17
Parameter Configuration Basic Operation	18
Regular Modes	18
Gimbal Presets	18
(Headtracker direct, S.BUS/CRSF & PWM control)	18
Channel Mapping	19
(Headtracker direct, S.BUS/CRSF & MAVLink control)	19
Mounting Type	19
Tilt Protection (Pitch-lock & Horizon mode)	19
Parameter Tuning	20
Pitch Calibration	20
Calibrating & Firmware Upgrading	20
<b>Appendix 1 Dimensions</b>	<b>21</b>
<b>Appendix 2 Supported Cameras</b>	<b>22</b>
<b>Appendix 3 MAVLink Configuration</b>	<b>23</b>
ArduPilot	23
PX4	23



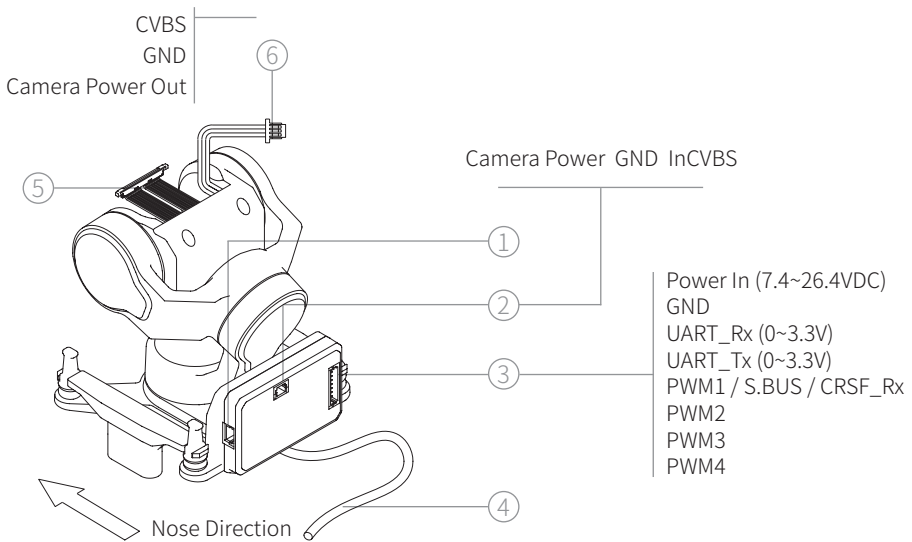
## Introduction

The C-20T 3-axis FPV Gimbal is compatible with a variety of digital FPV systems such as DJI O4 Pro, Walksnail Avatar, Walksnail Moonlight, and 19mm wide analog cameras. With a 3-axis nonorthogonal mechanical stabilization structure and high-torque motors, the C-20T is able to provides an extreme stabilization effect against the vibration and high-speed air impact.

With the Headtracker, the C-20T provides an immersive high-quality first-person control experience.

## Diagram

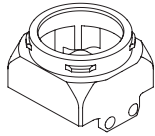
### Gimbal



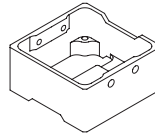
**!** The gimbal must share a common ground with the control signal transmitter.

1. Upgrade Port
2. Power Out / CVBS (BM03B-SRSS-TB, AV)
3. Power-communication Port (BM08B-SRSS-TB)
4. Coaxial Cable Air Unit End (O4 Pro / O4 / O3 / Standard)
5. Coaxial Cable Camera End (O4 Pro / O4 / O3 / Standard)
6. Analog Camera Cable (MX1.25-3P, AV)

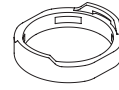
# Accessories



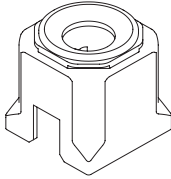
①



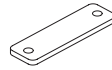
②



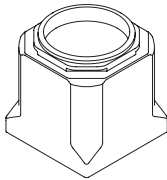
③



④



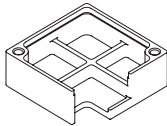
⑤



⑥



⑦




⑧

1. O4 Pro Lens Front Housing (O4 Pro)
2. O4 Pro Lens Rear Housing (O4 Pro)
3. O4 Pro lens Protection Ring (O4 Pro)
4. O4 Lens Mount (O4)
5. O4 Pressing Plate (O4)
6. O3 Lens Mount (O3)
7. O3 lens Protection Ring (O4 / O3)
8. Analog Camera Mount (AV)


# Installation

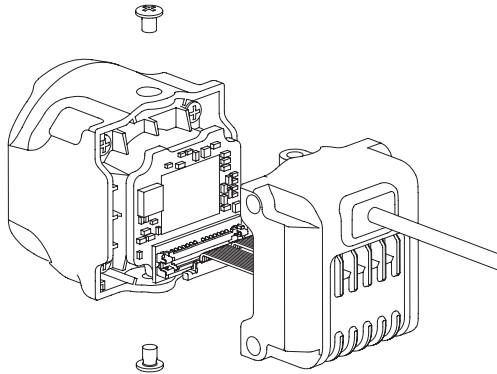
## O4 Pro

1. Remove the housing fixing screws of the camera (one on each side) and separate the front and rear housings of the camera.

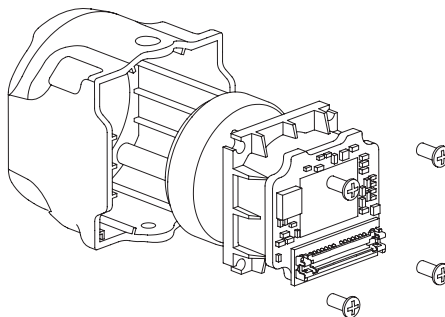
 Do not separate the housings too far or may damage the camera.

2. Use the crowbar in the package to disconnect the coaxial cable from the camera and remove the rear housing.


 The coaxial cable and its connectors are vulnerable. Please be careful when disconnecting and connecting the cable.

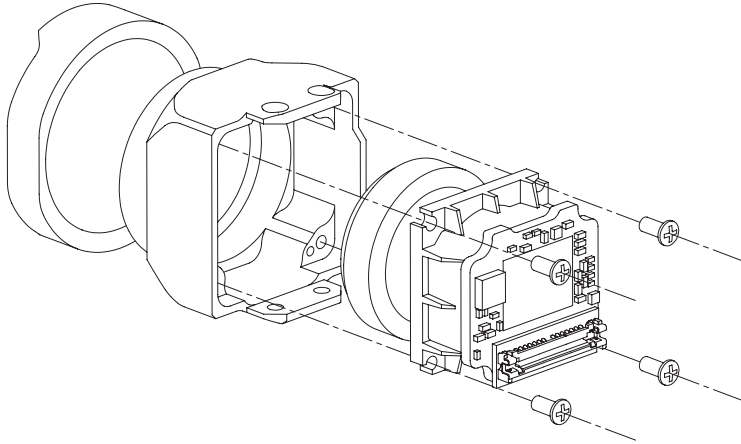


3. Remove the four lens fixing screws inside the front housing and take the lens out.

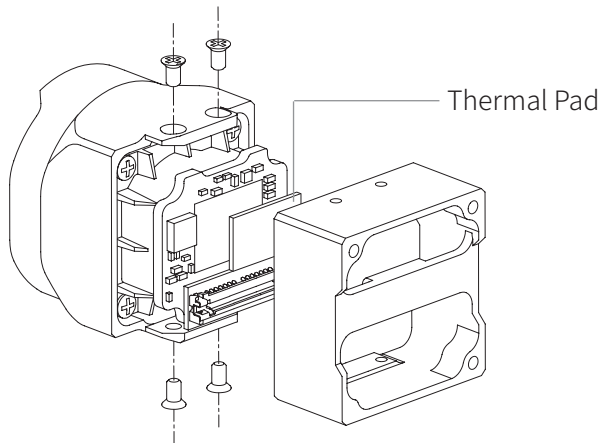


4. Install the lens protection ring on the front of the lens mount.
5. Fix the lens into the lens front housing with four M1.4 x L3mm screws.


 The mounting direction of the lens in the lens mount is unique. Please note the correspondence between the lens locating posts and the locating holes inside the lens mount.

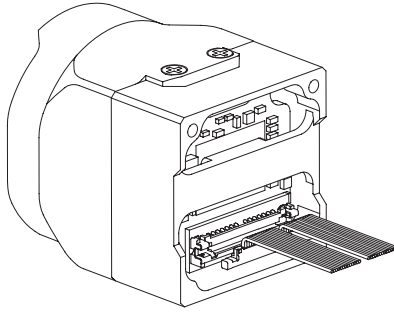


6. Connect the front and rear housing with four M1.4 x L2.5mm countersunk screws.




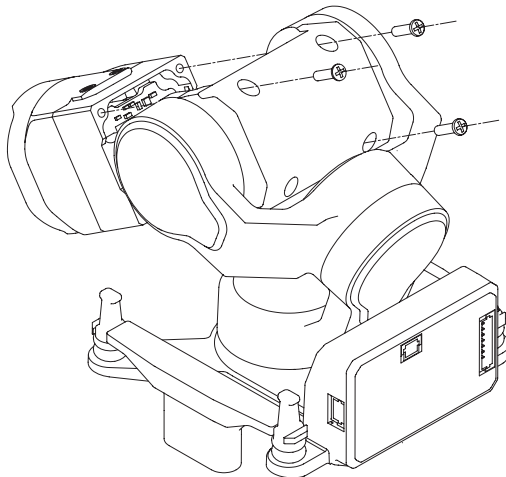
7. Connect the gimbal pre-built coaxial cable on the lens.

 The space is a narrow on this step. Please be careful not to pull the cable.



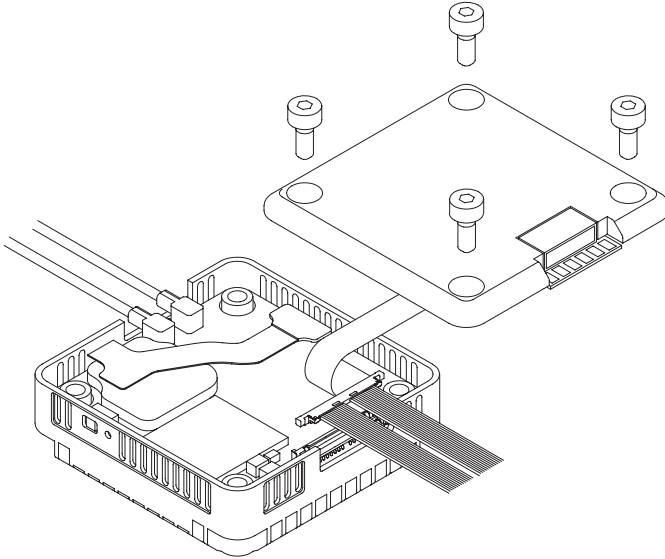
8. Fix the camera on the gimbal with three M1.4 x L5mm screws.

 Determine the mounting direction of the camera on the gimbal by usage scenario (gimbal upward / downward mounting). Avoid squeezing the cable when installing the camera. If the pitch motor of the gimbal spins unsmoothly or rebounds, it is generally caused by a tense coaxial cable. Please organize the cable and try again.



9. Separate the top and bottom housing of the air unit, then use the crowbar to disconnect the coaxial cable from the air unit and remove it.

 Do not separate the housings too far or may damage the air unit.

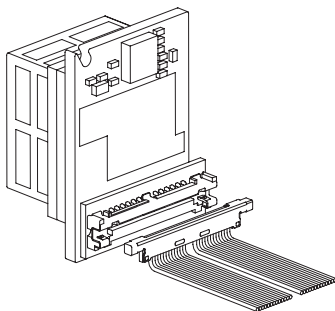


10. Connect the coaxial cable from the gimbal to the air unit and assemble the air unit.

## O4

1. Use the crowbar in the package to disconnect the coaxial cable from the camera and remove the rear housing.

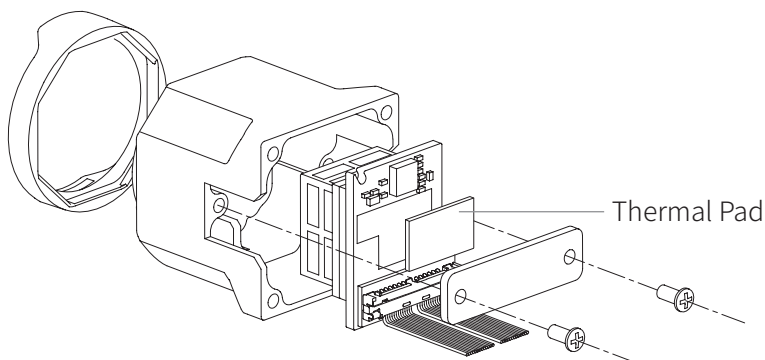
**!** The coaxial cable and its connectors are vulnerable. Please be careful when disconnecting and connecting the cable. There is glue on the connector for fixation. A heat gun can be used to heat the glue at 150°C and remove it with tweezers after it is softened.




2. Install the lens protection ring on the front of the lens mount.
3. Connect the gimbal pre-built coaxial cable on the lens.

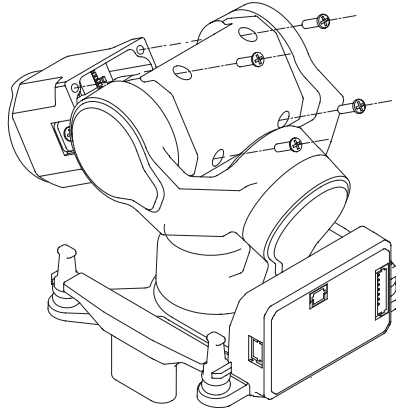
**!** The space is a narrow on this step. Please be careful not to pull the cable.

4. Thread two M1.4 x L3mm screws through the pressing plate and fix the lens into the lens mount.




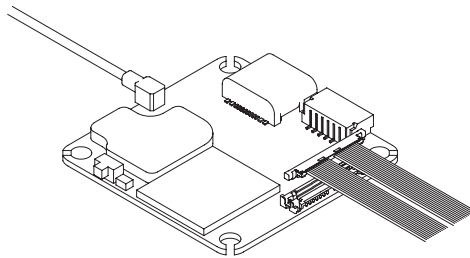
5. Fix the camera on the gimbal with four M1.4 x L5mm screws.

 Determine the mounting direction of the camera on the gimbal by usage scenario (gimbal upward / downward mounting). Avoid squeezing the cable when installing the camera. If the pitch motor of the gimbal spins unsmoothly or rebounds, it is generally caused by a tense coaxial cable. Please organize the cable and try again.



6. Use the crowbar in the package to disconnect the coaxial cable from the air unit and remove the rear housing.

 The coaxial cable and its connectors are vulnerable. Please be careful when disconnecting and connecting the cable. There is glue on the connector for fixation. A heat gun can be used to heat the glue at 150°C and remove it with tweezers after it is softened.



7. Connect the coaxial cable from the gimbal to the air unit.

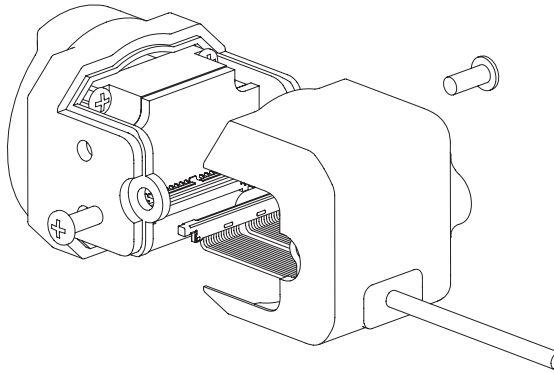
## 03

1. Remove the housing fixing screws of the camera (one on each side) and separate the front and rear housings of the camera.

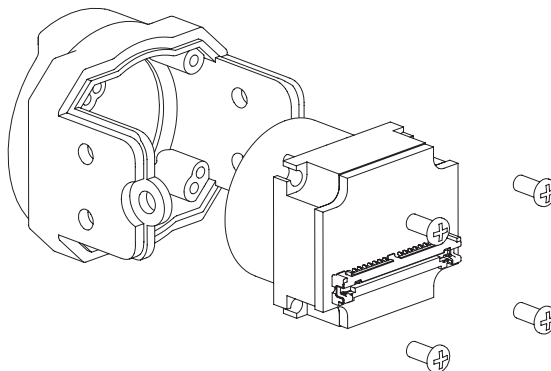
**!** Do not separate the housings too far or may damage the camera.

2. Use the crowbar in the package to disconnect the coaxial cable from the camera and remove the rear housing.

**!** The coaxial cable and its connectors are vulnerable. Please be careful when disconnecting and connecting the cable.



3. Remove the four lens fixing screws inside the front housing and take the lens out.

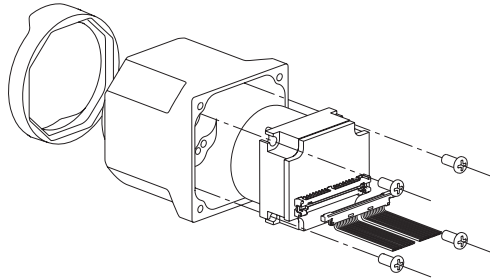


4. Install the lens protection ring on the front of the lens mount.
5. Fix the lens into the lens mount with four M1.4 x L3mm screws.

**!** The mounting direction of the lens in the lens mount is unique. Please note the correspondence between the lens locating posts and the locating holes inside the lens mount.

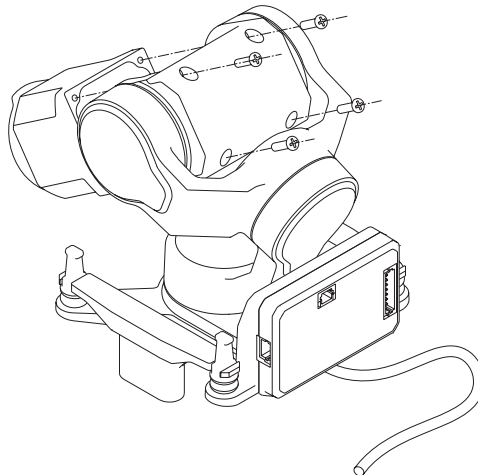
6. Connect the gimbal pre-built coaxial cable on the lens.

**!** The space is a narrow on this step. Please be careful not to pull the cable.

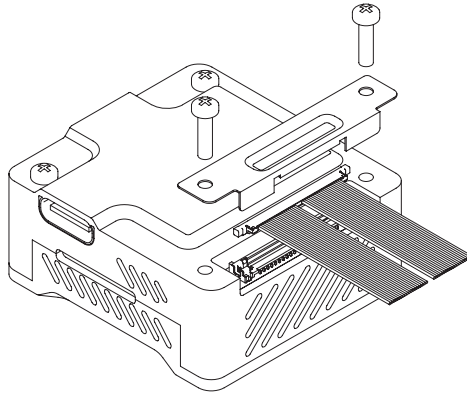


7. Fix the camera on the gimbal with four M1.4 x L5mm screws.

**!** Determine the mounting direction of the camera on the gimbal by usage scenario (gimbal upward / downward mounting). Avoid squeezing the cable when installing the camera. If the pitch motor of the gimbal spins unsmoothly or rebounds, it is generally caused by a tense coaxial cable. Please organize the cable and try again.



8. Remove the cover of the coaxial cable on the bottom of the air unit, then use the crowbar to disconnect the cable from the air unit and remove it.



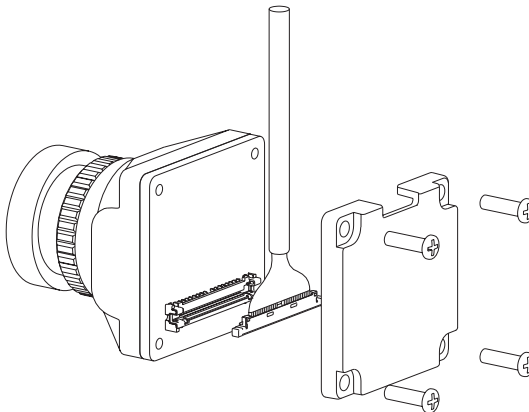
9. Connect the coaxial cable from the gimbal to the air unit and reinstall the cover back.

## Standard


Take Walksnail Moonlight kit as an example:

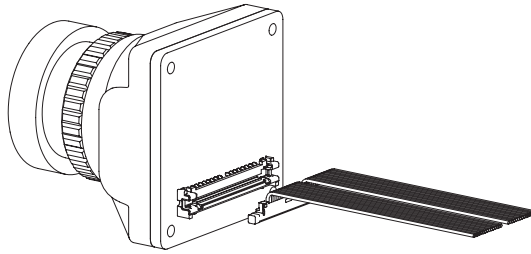
1. Loosen the four screws on the back of the camera and remove the rear housing.
2. Use the crowbar in the package to disconnect the coaxial cable from the camera and remove the cable.

**⚠** The coaxial cable and its connectors are vulnerable. Please be careful when disconnecting and connecting the cable.




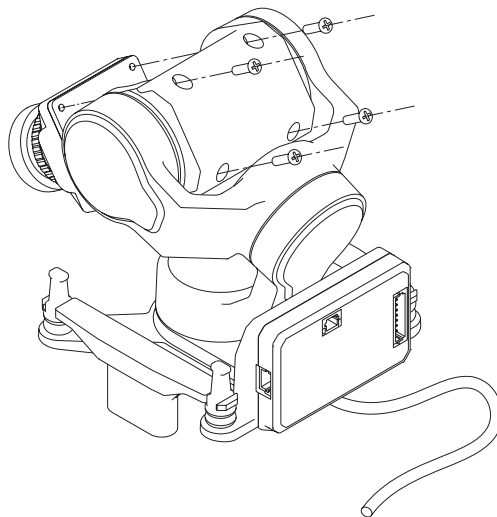
3. Connect the gimbal pre-built coaxial cable on the lens.

 Please be careful not to pull the cable.

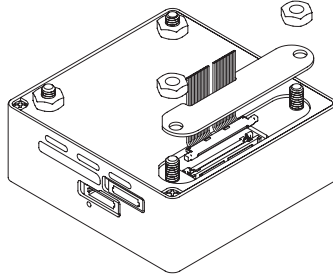


4. Fix the camera on the gimbal with four M1.4 x L5mm screws.

 Determine the mounting direction of the camera on the gimbal by usage scenario (gimbal upward / downward mounting). Avoid squeezing the cable when installing the camera. If the pitch motor of the gimbal spins unsmoothly or rebounds, it is generally caused by a tense coaxial cable. Please organize the cable and try again.



- Remove the cover of the coaxial cable on the top of the air unit, then use the crowbar to disconnect the cable from the camera and remove it.



- Connect the coaxial cable from the gimbal to the air unit and reinstall the cover back.

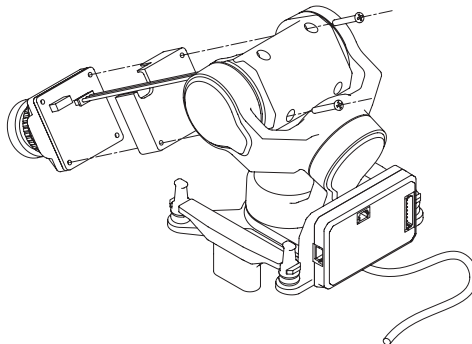
## AV

- Connect the gimbal pre-built analog camera cable on the camera.

**⚠ Please be careful not to pull the cable.**

- Fix the camera and the camera mount on the gimbal with two M1.4 x L10mm screws.

**⚠ Determine the mounting direction of the camera on the gimbal by usage scenario (gimbal upward / downward mounting). Avoid squeezing the cable when installing the camera. If the pitch motor of the gimbal spins unsmoothly or rebounds, it is generally caused by a tense cable. Please organize the cable and try again.**



## Controlling the C-20T

The C-20T supports Headtracker direct / private protocol control, S.BUS / CRSF control, PWM control and MAVLink control, with the priority of the four control methods above decreasing in order.

### Headtracker Direct Control

Please refer to *Headtracker User Manual*.

### Private Protocol Control

Please refer to *Gimbal Private Protocol*.

### S.BUS / CRSF Control

Connect the PWM1 in power-communication port to the S.BUS or CRSF\_Tx of the receiver, which needs 5 channels to control gimbal mode, gimbal sensitivity, roll, pitch and yaw respectively. Channel mapping can be done in the *GimbalConfig* software.

### PWM Control

The PWM1~PWM4 are channels to control gimbal mode, gimbal sensitivity, gimbal pitch and gimbal yaw respectively.

### MAVLink Control

Connect the UART\_Rx and UART\_Tx in power-communication port to the Tx and Rx in a certain serial port of the autopilot respectively, which needs 5 channels to control gimbal mode, gimbal sensitivity, roll, pitch and yaw respectively. Channel mapping can be done in the *GimbalConfig* software.





Only ArduPilot firmware and PX4 firmware are supported currently. The MAVLink configuration are detailed in Appendix 3.

## Gimbal Modes

There are seven operating modes of the C-20T as below:

- **FPV – Angle Control (FPVM-ANGL)**  
The input control value to the gimbal corresponds to its rotation angle. When the input control value is 0, the gimbal's pitch, roll and yaw axes follow the carrier's movements with eliminating slight shaking.
- **PitchLock – Angle Control (PLCK-ANGL)**  
The input control value to the gimbal corresponds to its rotation angle. When the input control value is 0, the gimbal's pitch axis remains horizontal and its roll and yaw axes follow the carrier's movements with eliminating slight shaking.
- **Horizon – Angle Control (HORI-ANGL)**  
The input control value to the gimbal corresponds to its rotation angle. When the input control value is 0, the gimbal's pitch and roll axes remain horizontal and its yaw axis follows the carrier's movements with eliminating slight shaking.
- **Horizon – Rate Control (HORI-RATE)**  
The input control value to the gimbal corresponds to its rotation angular speed. When the input control value is 0, the gimbal's pitch and roll axes keep current attitude and its yaw axis follows the carrier's movements with eliminating slight shaking.
- **Lock – Rate Control (LOCK-RATE)**  
The input control value to the gimbal corresponds to its rotation angular speed. When the input control value is 0, the gimbal's pitch, roll and yaw axes keep current attitude.

 In LOCK-RATE mode, slight pointing drift may occur with the gimbal, which is a normal behavior. This issue can be mitigated by calibrating the gimbal's gyroscope.

 When controlling the gimbal via Headtracker, angle control modes must be used.



For users employing the gimbal for non-head-tracking aerial filming, it is recommended to use rate control modes to achieve an optimal handling responsiveness.

- Return-to-Center (GOTO-ZERO)

In this mode, the camera lens maintains horizontal forward orientation while its yaw axis follows the carrier's movements with eliminating slight shaking. The gimbal becomes non-controllable in this state.

- OrthoView (LOOK-DOWN)

In this mode, the camera lens maintains vertically downward orientation while its yaw axis follows the carrier's movements with eliminating slight shaking. The gimbal becomes non-controllable in this state.

## Gimbal Sensitivity

The higher the sensitivity is, the quicker the response of the gimbal to follow the motion of the carrier, but the less it eliminates the carrier's wobble.




The gimbal sensitivity is valid only in FPV mode.

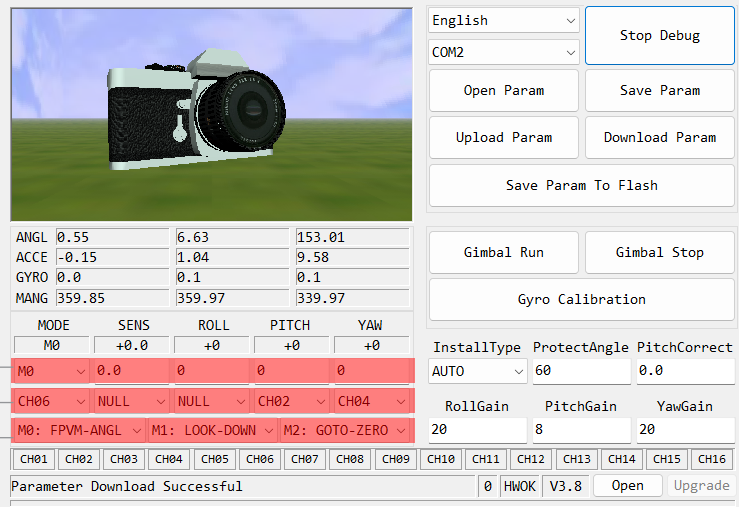
## Carrier AHRS Fusion

When subjected to a large horizontal overload, the gimbal's attitude algorithm may exhibit certain deviations, resulting in an inclined attitude. To rectify this deviation, it is necessary to transmit valid carrier AHRS data (carrier GNSS positioning needs to be effective) to the gimbal via the MAVLink protocol. Carrier AHRS fusion is available in all control methods.

# Configuring, Calibrating & Firmware Upgrading

Configure the gimbal and upgrade firmware of the gimbal with the *GimbalConfig* software.

-  Ensure the driver of the Config Module is installed on the computer before configuring, calibrating or upgrading.



MODE	SENS	ROLL	PITCH	YAW
M0	+0.0	+0	+0	+0
CH06	NULL	NULL	CH02	CH04
M0: FPVM-ANGL	M1: LOOK-DOWN	M2: GOTO-ZERO		


1. Gimbal Presets

2. Channel Mapping

3. Regular Modes

## Connect the Gimbal

1. Connect the gimbal upgrading port and the computer with the J1.0 Config Module. Power up the gimbal.
2. Run the *GimbalConfig* software. Select the COM port corresponding to the Config Module. Click "Start Debug" and confirm the software and the gimbal being connected.

-  The Config Module is sold separately. For some brands of dual Type-C cables, there may be cases where the computer cannot recognize the Config Module. Please try replacing it with a Type-A to Type-C cable.

## Parameter Configuration Basic Operation

After the gimbal is connected to the GimbalConfig software, the software will automatically download the parameter from the gimbal, or you can click "Download Param" to perform the download operation.

Click "Save Param" to save the current displayed parameter as a local file. Click "Open Param" to read a locally saved parameter file.

After selecting a new option in the drop-down box, the parameter will be automatically uploaded to the gimbal and take effect. After entering a new parameter in the parameter frame, press Enter key or click "Upload Param" to upload the parameter.

After the parameter is uploaded, click "Save Param To Flash" to finalize it into the gimbal.



**The gimbal sensitivity only applies to the axes that follow the motion of the carrier.**

## Regular Modes

Users can select three work modes from the gimbal's various options to serve as their regular modes (M0 / M1 / M2).



## Gimbal Presets (Headtracker direct, S.BUS/CRSF & PWM control)

The gimbal works in accordance with the preset values when there is no signal input or no mapped channel assigned. After the signal input is restored, the gimbal exits the preset state. The gimbal presets are invalid in MAVLink control.

Preset gimbal mode: Users can choose one work mode from the regular modes (M0 / M1 / M2) as the preset mode.

Preset gimbal sensitivity: setting range -1.0~1.0, with a resolution of 0.1.

Preset roll, pitch and yaw angle: setting range -180° ~180° , with a resolution of 1° .


-  The actual effective preset angles are based on the maximum rotation range of the gimbal.
-  If you want to always use the preset values for some channels, map the corresponding channels to NULL.


## Channel Mapping (Headtracker direct, S.BUS/CRSF & MAVLink control)

Select the channels corresponding to gimbal mode, gimbal sensitivity, roll, pitch and yaw respectively. For Headtracker direct control (through datalink or Air Unit), all channels should be mapped to CH01.

## Mounting Type

The mounting type of the gimbal is AUTO by default, and the gimbal will automatically switch to DOWN/UP mode according to its attitude at power-on. The mounting type can also be manually set as DOWN or UP mode.


-  For tail-sitter VTOL aircrafts, it should place the fuselage in a level flight attitude and power up, or manually set the mounting type of the gimbal.

 After the mounting type is set manually, make sure that the actual mounting type is consistent with the setting, otherwise the gimbal will enter the protection state.

## Tilt Protection (Pitch-lock & Horizon mode)


When the tilt of the mounting plane of the gimbal exceeds the protect angle, the gimbal will enter the protection state, at this time the gimbal will be neutralized and uncontrollable. When the tilt of the mounting plane is smaller than the protect angle, the gimbal will automatically exit the protection state. Tilt protection is effective in Pitch-lock mode and Horizon mode, not in FPV mode.

The protection angle can be modified according to the actual use. The setting range is  $0^{\circ} \sim 90^{\circ}$  with a resolution of  $1^{\circ}$ .  $\leq 15^{\circ}$  means disabling the tilt protection.

 After disabling the tilt protection, the gimbal may work abnormally when the attitude angle of the carrier is large.

## Parameter Tuning


For cameras with larger moment of inertia, mounting them on the gimbal may result in gimbal shaking. In such cases, increasing the gain value can enhance stabilization effects.

 It is strongly recommended to use the default gain parameters if unnecessary.

## Pitch Calibration

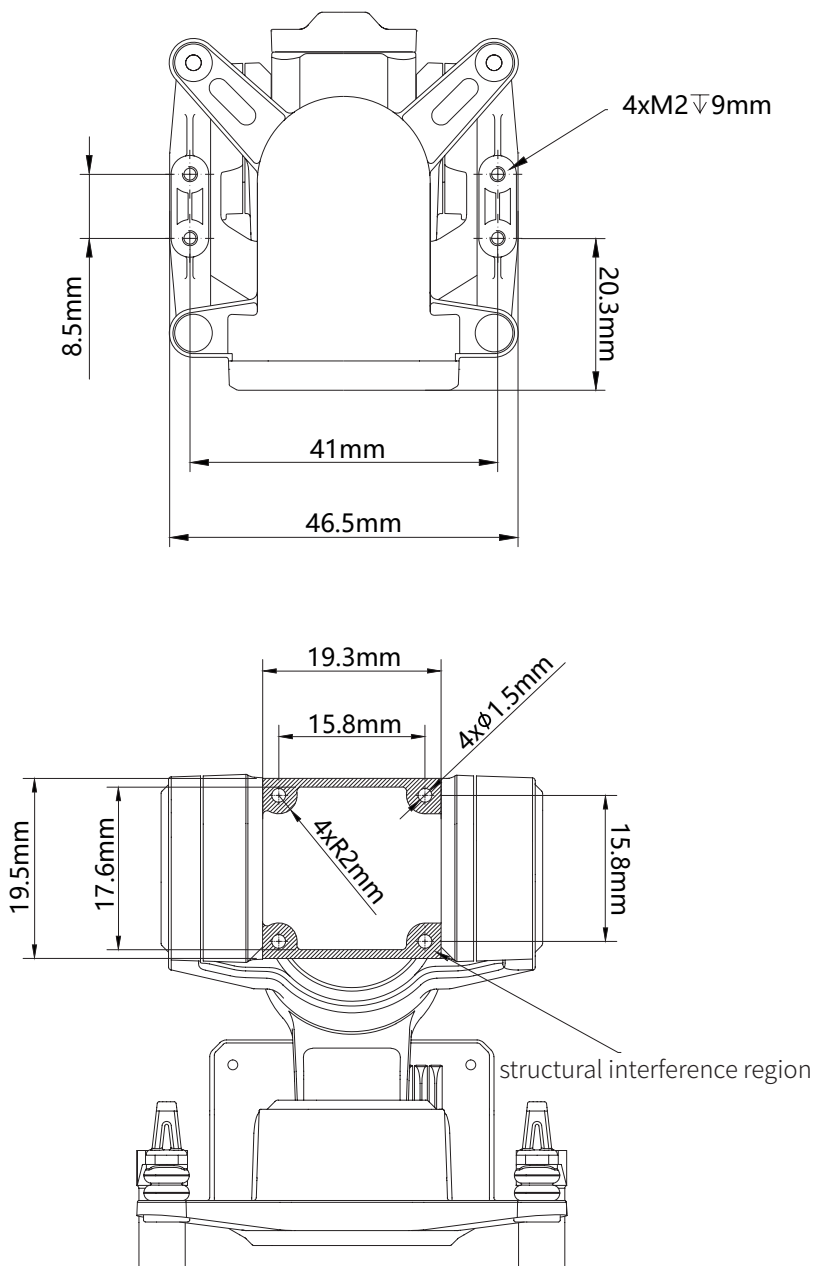
In FPV mode, the gimbal's pitch center may exhibit a slight deviation. This parameter allows fine-tuning of the pitch zero point specifically for FPV mode. The adjustable range is  $-10^{\circ}$  ~  $+10^{\circ}$  with a resolution of  $0.1^{\circ}$ .

## Calibrating & Firmware Upgrading

 If the attitude of the gimbal tilts or drifting slowing when no control signal input, it is necessary to calibrate the gimbal.

1. To calibrate the gimbal. Keep the gimbal static. Click "Gyro Calibration" and wait for the calibration to complete.
2. To upgrade the firmware. Click "Open Firmware". Select the firmware file. Click "Start Upgrade" and wait for the upgrade to complete.

## Appendix 1 Dimensions



## Appendix 2 Supported Cameras

O4 Pro	DJI O4 Air Unit Pro
O4	DJI O4 Air Unit
O3	DJI O3 Air Unit
Standard	Walksnail Moonlight Kit
	Walksnail Avatar HD Kit V2 (Dual Antennas Version)
	Walksnail Avatar HD Pro Kit (Dual Antennas Version)
	Walksnail Avatar HD Pro Kit
	Walksnail Avatar HD Kit V2
	CADDXFPV Polar Starlight Vista Kit
	CADDXFPV Nebula Pro Vista Kit
	RunCam Link Phoenix HD Kit
	RunCam Link Wasp Kit
	RunCam Link Night Eagle Kit

## Appendix 3 MAVLink Configuration

### ArduPilot

SERIAL1	
SERIAL1_BAUD	115
SERIAL1_OPTIONS	1024
SERIAL1_PROTOCOL	2
SR1	
SR1_ADSB	0 Hz
SR1_EXIT_STAT	0 Hz
SR1_EXTRA1	0 Hz
SR1_EXTRA2	0 Hz
SR1_EXTRA3	0 Hz
SR1_PARAMS	0 Hz
SR1_POSITION	0 Hz
SR1_RAW_CTRL	0 Hz
SR1_RAW_SENS	0 Hz
SR1_RC_CHAN	0 Hz



Serial port number can be changed according to the actual situation.

### PX4

MAVLink	
MAV_1_CONFIG	TELEM2
MAV_1_MODE	Custom / Gimbal
MAV_1_RATE	115200 B/s
Serial	
SER_TEL2_BAUD	115200 8N1



The MAV\_1\_MODE is recommended as Custom.