



卓高电机
ZHUO GAO MOTOR

Zhuogao Motor Manufacturing CO.,LTD.

Telephone: + 86-757-28372811 28372818

Fax: +86-757-28372817

Address: 1st of NO.10 Nanqu Industrial Zone, Tianhe North RD West,
Ronggui , Shunde Foshan City, China. / Postcode: 528306

Http://www.micro-motor.com.cn

Http://www.zhuogaomotor.com

Http://www.zhuogaomotor.com.cn

Http://zhuogaomotor.1688.com

Brand(商标) : zgmotor.商标
卓高.商标

佛山市顺德区卓高电机制造有限公司

电 话: +86-757-28372811 / 28372818

传 真: +86-757-28372817

地 址: 中国广东佛山市顺德区容桂镇南区居委会天
河北路西侧南区工业小区10号之一

邮 编: 528306

Http://www.micro-motor.com.cn

http://www.zhuogaomotor.com

http://www.zhuogaomotor.com.cn

http://zhuogaomotor.1688.com

Brand(商标) : zgmotor.商标
卓高.商标



Since 2006

Brand(商标): zgmotor.商标 / 卓高.商标

**ZHUOGAO MOTOR
MANUFACTURING CO.,LTD.**

佛山市顺德区卓高电机制造有限公司



ZHUOGAO MOTOR
MANUFACTURING CO., LTD.

Company Building
企业大楼外景

Professional 专业 High quality 优质 Leading 领先

About Us 公司介绍



Zhuogao Motor Manufacturing CO.,LTD. was founded in 2006. It is a high-tech professional enterprise in Market& Design, production and sales of AC shaded pole motor, cross flow fan, micro DC brushless water pump, DC brushless motor, DC brushless fan, DC three-phase pump, DC brushless Electric Vehicle pump, DC brushless solar water pump, etc.

Zhuogao Manufacturing CO., LTD. is located in the famous home-town of home appliance manufacturing industry city-Foshan Shunde District. It covers an area of more than 10000 square meters; it gathers a lot of industry leading high-tech talents and professionals engaged in AC shaded pole motor, cross flow fan and DC brushless products as the backing of the enterprise. It also has a lot of senior technical staff and a strong sales team, formed a strong technology R&D and sales ability. the company is strictly obeyed a series of world-class management system to manage the company, such as the ISO, TS16949, etc. It makes full of Ansys, Matlab, optimization design, simulation analysis and other international technology to improve product quality and to reduce development costs and cycle. The company has a complete quality assurance system; it has passed the ISO9001 and other international quality system certifications, and owns a number of patents. As the early China enterprise specialized in DC brushless pump, DC motor R&D, AC shaded pole motor and cross flow fan, Zhuogao Motor Manufacturing CO.,LTD. is Strong in R&D ability, large in production capacity and kinds of products.

Our AC shaded pole motor and cross flow fan have good characteristic and performance, much reasonable price and widely use. DC brushless pump has long lifespan (over 20000hours), no spark, low power consumption, low noise, stable speed, environment protection, no interference, energy saving, etc. Our products are widely used in electric oven, microwave oven, electric fireplace, electric refrigerator, barbecue, disinfection cabinet, fan heater, exhaust fan, halogen oven, air curtain machine; Coffee machines, electric tea pot, air cleaner, portable bath machine, shower, foot massage, electric vehicles, cars, engine, solar water circulation system, solar water heater, fountain, aquarium, water circulating and coolant of air-conditioner and computer, water cooling of electrical appliances, handicrafts, medical equipments, automotive supplies, medical treatment, industrial automation, pressurization of house pipe, irrigation, water supply of high building, office equipments, environmental protection equipments and power equipments, etc.

Zhuogao is in accordance with the enterprise principle of "quality first, being honest and keeping faith", which is gained a high trust from customers both at home and abroad! Zhuogao motor has successively been evaluated as "Excellent Supplier" by Midea, Kelon, Redball, and other famous enterprises. Our products are popular sold in the Americas, Europe, Australia, Southeast Asia, Turkey, The Middle East and other countries.

Customer's demand is the foundation for our survival and development!
Surpassing customers' expectation is the weapon for us to develop and prosper quickly!
It is our goal to become the world-class transnational company!

Zhuogao Motor will continuously implement the three-in-one operation strategy of technology quality and service; adopt constant innovative technology transcendent quality and top service, and join hands with customers to create a more brilliant future!

佛山市顺德区卓高电机制造有限公司成立于2006年，是一家以市场研发为导向，专业研发、生产和销售罩极电机，贯流风机，微型无刷直流水泵，无刷直流电机，无刷直流风机，无刷直流三相水泵，无刷直流电动汽车泵，无刷直流太阳能水泵等产品的高科技股份制企业。

公司位于“家电制造业基地”一佛山顺德区容桂高新产业区南区工业区，占地面积1000平方米；现有一批行业顶尖的高科技人才和专业从事罩极电机，贯流风机和无刷直流产品的工程师团队作为企业发展的后盾，公司严格按照ISO，并参照TS16949等一系列的世界一流管理体系进行管理；还有一批中高级技术人员和强大的销售团队，形成了较强的技术研发力量和销售能力。充分利用 ansys、Matlab、优化设计，仿真分析等国际技术提高产品质量、降低开发成本和周期。公司具有完整的质量保证体系，已通过了ISO9001等国际质量体系认证，拥有多项专利技术。公司是中国早期研发无刷直流水泵，无刷直流电机的企业，也是罩极电机和贯流风机生产领先的企业，卓高电机研发能力强，规模大，产品行业领先和品种多的生产企业。

罩极电机和贯流风机性能稳定，价格合理，应用广泛。无刷直流水泵具有寿命长、无火花，功耗低、噪音小、调速平衡、环保安全，运行可靠、无干扰、节能等特性。产品广泛应用于：电烤箱，微波炉，电壁炉，电冰箱，野外烧烤，消毒柜，暖风机，排气扇，光波炉，风幕机；咖啡机，电热水壶，空气净化器，移动洗衣机，洗澡盆，沐足盆，电动汽车，小轿车，发动机，太阳能水循环系统，太阳能热水器，喷泉，水族，水循环制冷系统，空调，电脑散热，医疗保健设备，自动化设备，管道增压，灌溉，高楼供水，办公设备，环保设备，动力设备等。

卓高秉承“质量第一，诚实守信”的企业宗旨，得到了国内外客户的高度信赖，先后被科荣，利德堡，美的等国内外多家家电企业评为“优秀供应商”。产品畅销美洲、欧洲、澳洲、东南亚、土耳其及中东地区。

客户的需求，才是我们生存和发展的根本！

超越客户的期望，是我们飞速发展和腾飞的法宝！

成为世界一流跨国公司，是我们的目标！

卓高电机将继续贯彻技术、品质、服务三位一体的经营战略，以不断创新的技术，卓越的品质，优质的服务，与客户一起共同创造更加辉煌的未来！

Company office environment

企业环境一览



公司前台



接待大堂



会议室



展厅



商学院



仓库

The enterprise culture 企业文化

Enterprise Philosophy:

Quality and innovation is the foundation for our survival and development. Innovation is our motivation; we create our own brand on the basis of quality assurance, and keep moving fast to create a more bright future!

Enterprise Spirit:

Science, Rigorous and Pragmatic. As the development of the science till now, its power is amazing! Rigorous attitude could be accomplished only under the guide of Pragmatic. set!

Service Spirit:

To be honest to customers, Customers is the first. We welcome you to our company with our honest heart, your compliment and satisfaction is our eternal pursuit and greatest asset!

Customer's demand is the foundation for our survival and development!

Surpassing customers' expectation is the weapon for us to develop and prosper quickly!

It is our goal to become the world-class transnational company!

Zhuogao Motor will continuously implement the three-in-one operation strategy of technology quality and service; adopt constant innovative technology transcendent quality and top service, and join hands with customers to create a more brilliant future!

企业理念:

以质量求生存, 以创新求发展是我们的根本, 创新是我们的动力, 我们在品质保证的基础上打创品牌。不断突破, 不断辉煌。

企业精神:

科学, 严谨, 务实。世界发展到今天, 科学的力量人人叹服, 严谨的态度在务实的指引下方能成就伟业。

服务精神:

以诚待客, 客户至上。我们用我们的诚挚的心, 欢迎您的光临, 客户的欣赏和满足是我们永恒的追求, 也是我们最大的财富。

客户的需求, 是我们生存和发展的根本!

超越客户的期望, 是我们飞速发展和腾飞的法宝!

成为世界一流跨国公司, 是我们的目标!

卓高电机将继续贯彻技术、品质、服务三位一体的经营战略, 以不断创新的技术, 卓越的品质, 优质的服务, 与客户一起共同创造更加辉煌的未来!

Product certifications and patents 产品认证及专利



罩极电机ROHS报告

贯流风机ROHS报告

CCC证书

UL certificate

ROHS of AC shaded pole motor

罩极电机ROHS报告

贯流风机ROHS报告

CCC证书

Midea 合格供应商

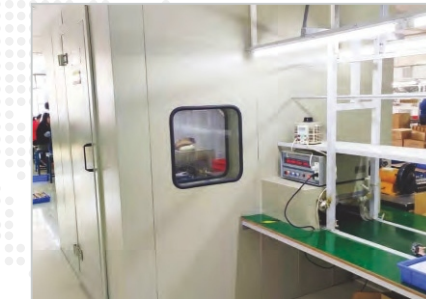
Production ability 生产实力



Production line of AC shaded pole motor
罩极电机生产线



Wiring of AC shaded pole motor
罩极电机绕线图



Noise room
噪音房



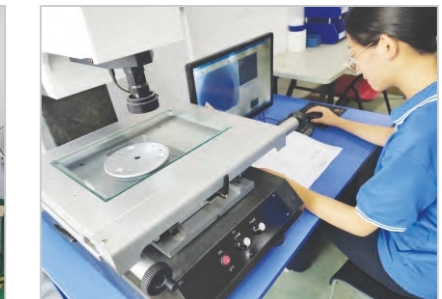
Finished products test
电机成品检测



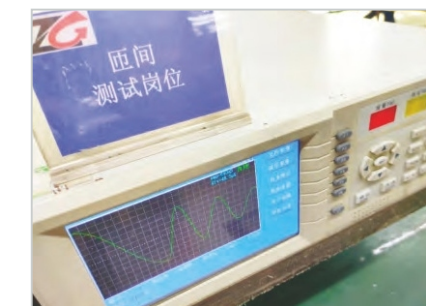
Dynamometer
测功机



Wiring of DC brushless water pump
无刷直流水泵绕线图



Quadratic detection
二次元检测



Withstand voltage test
耐压测试



Salt spray test
盐雾实验

win-win
合作共赢



ZHUO GAO
MOTOR

Partners 合作商



From customers to employees, management to suppliers, our relationships are our valuable asset - and we work hard to make them satisfy. Respect, partnership, teamwork and listening to what our customers really want, are all part of the way we do business. We welcome and hope to find a best way to cooperate with you, to pursue a WIN-WIN cooperation relationship. Your satisfactions are our satisfaction!

Now we have business all over the world, our products have been exported to many countries, such as USA, Canada, Brazil, UK, Germany, Ireland, South Africa, Japan, South Korea, Singapore, etc. We also share an at least 60% market in domestic. We gained good reputation from our customers, because of high quality and best customer service. We will create a more bright future with our customers hand in hand!

List some of our partners in different area:

从客户到员工，再到供应商的关系，是我们宝贵的资产-我们一直在努力满足和处理好这三者的关系。尊重，合作，团队精神和倾听客户真正想要的是什么，都是我们做生意的重要部分。我们希望并随时欢迎您献策，共同找到合作共赢的最佳方式。您的满意就是我们的满意!

现在我们在世界各地都有业务，我们的产品已出口到许多国家，如美国，加拿大，巴西，英国，德国，爱尔兰，南非，日本，韩国，新加坡，等全球各地。同时，我们占有60%以上的国内市场。我们的高质量产品和优质的服务，为我们带来了良好的声誉。我们将与广大客户一起共创美好未来!

OUR MAIN CUSTOMERS 合作的部分客户

Midea

vatti

KELON

Panasonic

Redball

TCL



1. Industry leader

We have specialized in AC shaded pole motor, cross flow fan, DC brushless water pump, DC motor and DC flow fan over ten years, we have our own R&D center and engineering department. All of our technicians are professionals specialized in the field of Brushless DC pumps and motors over FIFTEEN years.

2. Professional, attentive service

We have Pre-sale service department, sales service department and after-sale department to service you 24 hours a whole day. We also can supply strong technical support. We promise product qualification rate box 100%, TWENTY months guarantee period. Less than three in thousand defective rate. We supply free lifetime maintenance and technical support. 24 hours online service and replying customers complains within 24 hours, to satisfy the customers most.

3. Low power consumption, high efficiency, high quality goods

Our AC shaded pole motor and cross flow fan have advantages of low cost, high practicality, simple structure, stable performance, reasonable price and easy to cooperate. Our brushless DC pumps and DC motors have very good performance: long life, over 20000 hours; long working time that can work a whole day continuously; safe: low working DC voltage, Very low start current; no spark; environment protection: no waste, no radiation, no interference, no vibration; low power consumption, high efficiency; low noise; reliable speed; good performance; very low maintenance or even zero maintenance; small dimension and portable, can be powered by solar panel, PV board, battery DC electricity directly; we can supply over heat protection, over current protection, low -load protection, run-dry protection, PWM speed control; signal indicate; signal feedback; anti reverse protection, etc.

4. Widely application

Our products are widely used in electric oven, microwave oven, electric fireplace, electric refrigerator, barbecue, disinfection cabinet, fan heater, exhaust fan, halogen oven, air curtain machine; Coffee machines, electric tea pot, air cleaner, portable bath machine, shower, foot massage, electric vehicles, cars, engine, solar water circulation system, solar water heater, fountain, aquarium, water circulating and coolant of air-conditioner and computer, water cooling of electrical appliances, handicrafts, medical equipments, automotive supplies, medical treatment, industrial automation, pressurization of house pipe, irrigation, water supply of high building, office equipments, environmental protection equipments and power equipments, etc.

5. Various of certificates

We have obtained CE, FC, SGS, ISO, FDA, ROHS, VDE, UL certificates, etc. Our company has been honored with Canton Fair good supplier, high-tech private enterprise, excellent supplier of Midea, Kelon, Vatti, Redball, etc.

6. OEM&ODM personal customized service

We can offer OEM and ODM service, all of our products can be customized according to your requirements. We also have very good management control, prompt reply, very reasonable price, fast delivery, satisfied after-sale service, great technology support for use and problems solving, over one year guarantee, etc.

Product advantages 我们的优势

1. 行业领先

我们专业从事罩极电机，贯流风机，无刷直流水泵，直流电机和直流风机超过十年。我们有自己的研发部门，工程部门，我们的技术人员都是专业从事无刷水泵和电机经验的专业人士。

2. 电机15年以上经验的专业人士

我们有售前产品咨询讲解，产品推荐客服，有售中的疑问解答，有售后的技术指导。我们保证产品开箱合格率100%，产品保修期15个月，不良率小于千分之三，终身免费提供产品维修和技术支持。我们保证全天24小时的客户服务和客户投诉在24小时之内给到客户最满意的答复。

3. 节能高效，高品质的产品

罩极电机和贯流风机具有低成本，高实用性的特点，产品结构简单，性能稳定，价格合理，使用方便，产品应用广泛。无刷直流水泵和电机具有很好的工作性能：寿命长（30000小时以上）；工作时效长，可连续24小时不间断工作；安全性高，工作电压低，电流低，无火花；环保：无污染，无辐射，抗干扰，抗振；节能，低能耗，高效率；低噪音；运行平稳，性能好；低维修率（甚至达到零维修率）；体积小，便于携带和安装；供电形式多样，可用太阳能供电，PV光伏板供电，电池供电，稳压电源供电等直流供电设备供电；我们可以提供过热保护，过流保护，欠压保护，干抽保护，PWM调速，信号显示，信号反馈，防接反保护等功能。

4. 应用广泛

罩极电机，贯流风机，无刷直流水泵，直流电机等产品广泛应用于：电烤箱，微波炉，电壁炉，电冰箱，野外烧烤，消毒柜，暖风机，排气扇，光波炉，风幕机；咖啡机，电热水壶，空气净化器，移动洗澡机，洗澡盆，沐足盆，电动汽车，小轿车，发动机，太阳能水循环系统，太阳能热水器，喷泉，水族，水循环制冷系统，空调，电脑散热，医疗保健设备，自动化设备，管道增压，灌溉，高楼供水，办公设备，环保设备，动力设备等。

5. 通过多项认证

我司获得多项产品专利及认证，以保证产品的质量和性能。有CE, FC, SGS, ISO, FDA, ROHS, VDE, UL REACH, CCC等认证。我们的产品在广交会上深受欢迎，我们是广交会的优秀供应商，我们也是美的，科龙，利得堡，华帝等的优秀供应商。

6. OEM和ODM 专项定制服务

我们可以提供OEM和ODM优质服务。所有的产品均可按照客户的要求定制。我们有严格的品质控制，迅速的回复，优惠的价格，准确无误的交货期，强有力的技术支持和满意的售后服务!



2006年7月, 在顺德容桂华口聚龙市场租下一间2200平方米厂房, 开始建厂投产。
We were rented a 2200 square meters of factory in Julong market Huakou Ronggui Shunde, and the factory began to put into production in July 2006.

2007年开始量产第一张定单
2007年4月, 第一台罩极电机(烤箱电机)下线
2007年4月4日, 通过德国VDE认证(德国电气工程师协会)
2007年7月5日, 通过美国UL, 加拿大CUL认证
Mass production of the first order began in 2007.
In April 2007, the first shaded pole motor (oven motor) came off the line.
We got the VDE certification of German(German institute of electrical engineers) in 4st April,2007.
We got the UL certification of Amercia, and the CUL certification of Canada in 5st May 2007.

2008年5月成为美的厨房电器合格供应商
2008年, 10月第一套光波炉电机下线
In May 2008, We became the qualified supplier of the Midea kitchen appliances.
The first set of light wave furnace motor came off the line in October 2008.

2009年1月4日, 通过中国CCC认证
2009年10月15日, 通过ISO9001-2008质量管理体系认证
2009年10月, 第一台美的嵌入式烤箱电机、风机下线
We got the CCC certification of China in 4st Jan,2009.
In October 15,2009, We got the ISO9001-2008 quality management system certification.
In October 2009, the first Midea embedded oven motor and fan came off the line.

2010年5月, 公司“ERP”全模块企业资源管理系统上线运行
2010年11月, 完成第一张国外订单
In May 2010, the ERP full-module enterprise resource management system of company was put into operation.
In November 2010, the first foreign order was completed.

Process 发展历程



2011年5月, 与西班牙FAGOR GROUP集团开始合作
In May 2011, we began to cooperate with FAGOR GROUP of Spain.

2013年10月, 与“普玮集团”达成教育培训战略合作
2013年11月, 进行为期6个月的“基础管理提升”咨询项目
In October 2013, we reached strategic cooperation in education and training with "PUWEI GROUP"
In November 2013, we carried out a 6 months consulting project of "basic management improvement"

2014年, 空气炸锅电机下线
2014年9月, 集成吊顶用风机下线
In 2014, the air fryer motor went offline.
In September 2014, the fan for integrated ceiling came off the line.

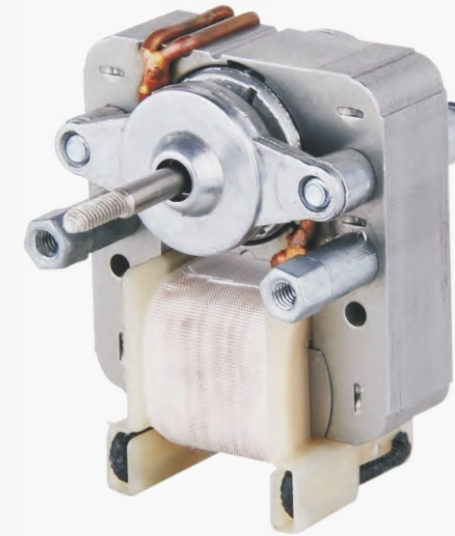
2015年, 被国家安全生产监督管理总局授予安全生产标准化三级企业
2015年, 被农业银行评为“黄金客户”
2015年10月15日, 第一台无刷直流水泵下线
2015年10月, 公司全面实行“绩效管理”
In 2015, it was awarded the third-level enterprise of production safety standardization by the national production safety supervision and administration headquarters.
In 2015, we awarded as the "golden customer" by agricultural bank of China.
In October 2015, the first brushless dc water pump went offline.
In October 2015, the company fully implemented "performance management".

2016年10月, 被评为广东省高新技术企业
2016年, 被评为容桂街道高精技术种子企业
2016年, 被农业银行评为“黄金客户”
In October 2016, Zhuogao was awarded as a high-tech enterprise in Guangdong province.
In 2016, Zhuogao was awarded as Ronggui street high-precision technology seed enterprise.
In 2016, honored as "golden customer" by Agricultural Bank of China.

2017年, 被农业银行评为“黄金客户”
2017年, 被美的厨房电器制造有限公司授予“美的认可实验室”证书
2017年5月, 公司全面开展“5S绩效管理提升”项目
In 2017, honored as "golden customer" by Agricultural Bank of China.
In 2017, Zhuogao was awarded the "Midea recognized laboratory" certification from Midea kitchen appliances CO.,LTD.
In May 2017, the company comprehensively carried out the "5S performance management improvement" project.

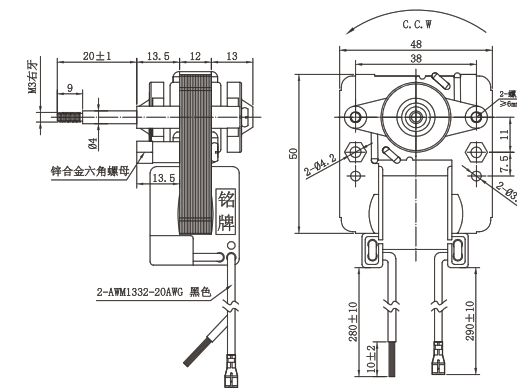
2018年10月, 公司生产的“水暖床垫”用水泵的静音效果达到整机32分贝, 达到同行领先地位。
In October 2018, the mute effect of the water pump used for the "warm bed mattress" produced by our company reached 32 db of the whole machine, reaching the leading position of the industry.

AC Shaded Pole Motor 罩极电机

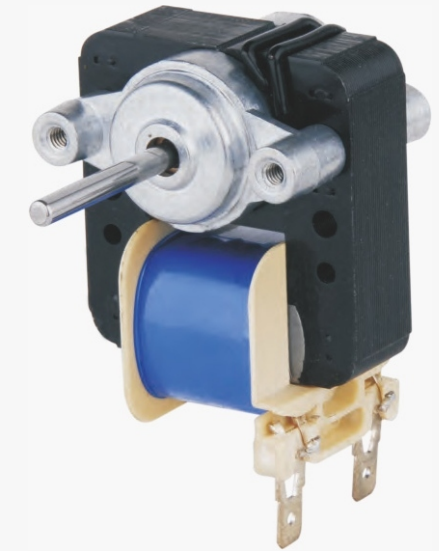


Product Parameter 产品参数

规格型号 Model	Volt(VAC) 使用电压(VAC)	Freq.(HZ) 频率(HZ)	Max Input Power(W) 最大输入功率(W)	Load Speed(RPM) 负载转速(RPM)	Insulation grade 绝缘等级(A,B,E,F,H)	Other 其他
YJ48-10	110-240	50/60	10	1500-2200	A,B,E,F,H	
Application 应用领域:	Oven, microwave oven, electric fireplace, electric refrigerator, barbecue, disinfection cabinet, fan heater, exhaust fan, halogen oven, air curtain machine, etc. 电烤箱, 微波炉, 电壁炉, 电冰箱, 野外烧烤, 消毒柜, 暖风机, 排气扇, 光波炉, 风幕机等。					

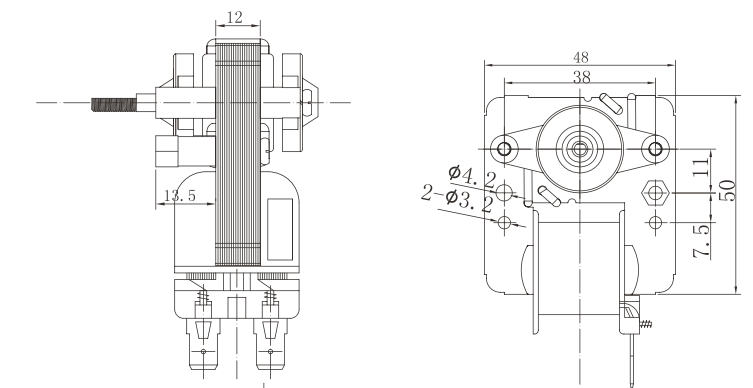


AC Shaded Pole Motor 罩极电机

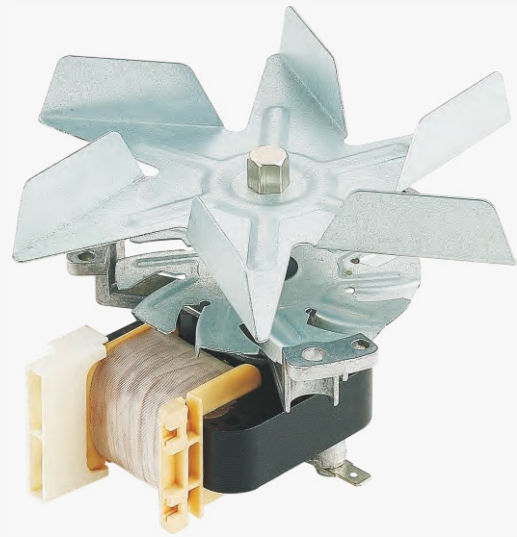


Product Parameter 产品参数

规格型号 Model	Volt(VAC) 使用电压(VAC)	Freq.(HZ) 频率(HZ)	Max Input Power(W) 最大输入功率(W)	Load Speed(RPM) 负载转速(RPM)	Insulation grade 绝缘等级(A,B,E,F,H)	Other 其他
YJ48-12	110-240	50/60	12	1200-2200	A,B,E,F,H	
Application 应用领域:	Oven, microwave oven, electric fireplace, electric refrigerator, barbecue, disinfection cabinet, fan heater, exhaust fan, halogen oven, air curtain machine, etc. 电烤箱, 微波炉, 电壁炉, 电冰箱, 野外烧烤, 消毒柜, 暖风机, 排气扇, 光波炉, 风幕机等。					



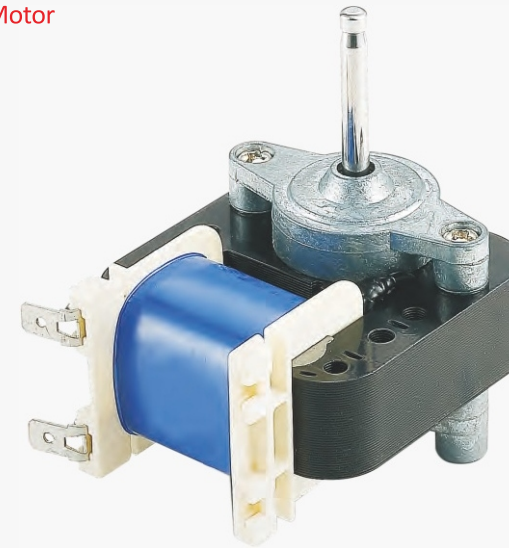
AC Shaded Pole Motor
罩极电机



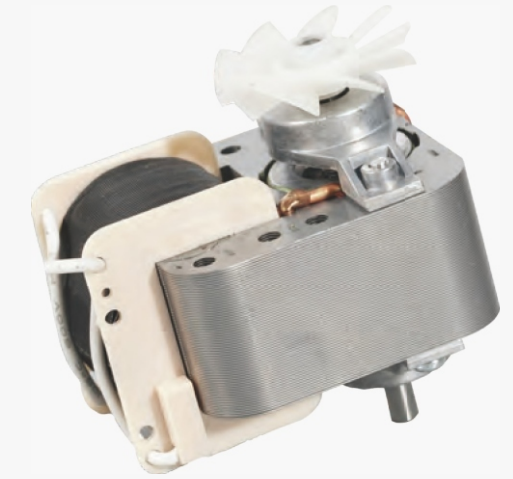
AC Shaded Pole Motor
罩极电机



AC Shaded Pole Motor
罩极电机



AC Shaded Pole Motor
罩极电机



◎ Product Parameter 产品参数

规格型号 Model	Volt(VAC) 使用电压(VAC)	Freq.(HZ) 频率(HZ)	Max Input Power(W) 最大输入功率(W)	Load Speed(RPM) 负载转速(RPM)	Insulation grade 绝缘等级(A,B,E,F,H)	Other 其他
YJ61-20	110-240	50/60	28	1000~2500	A,B,E,F,H	
Application 应用领域:	Oven, microwave oven, electric fireplace, electric refrigerator, barbecue, disinfection cabinet, fan heater, exhaust fan, halogen oven, air curtain machine, etc. 电烤箱, 微波炉, 电壁炉, 电冰箱, 野外烧烤, 消毒柜, 暖风机, 排气扇, 光波炉, 风幕机等。					

◎ Product Parameter 产品参数

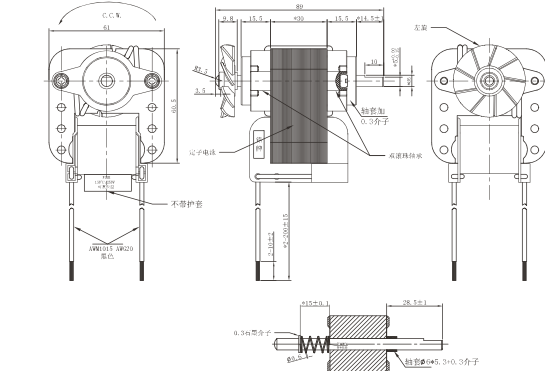
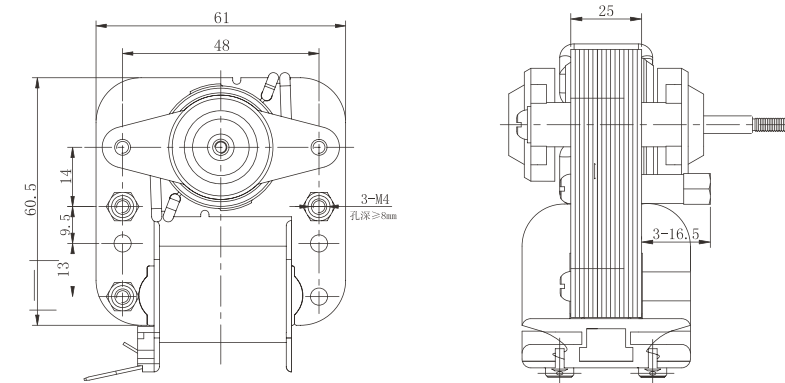
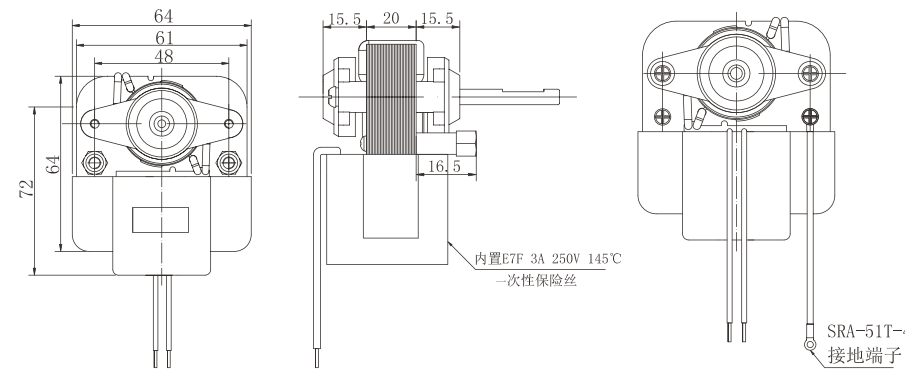
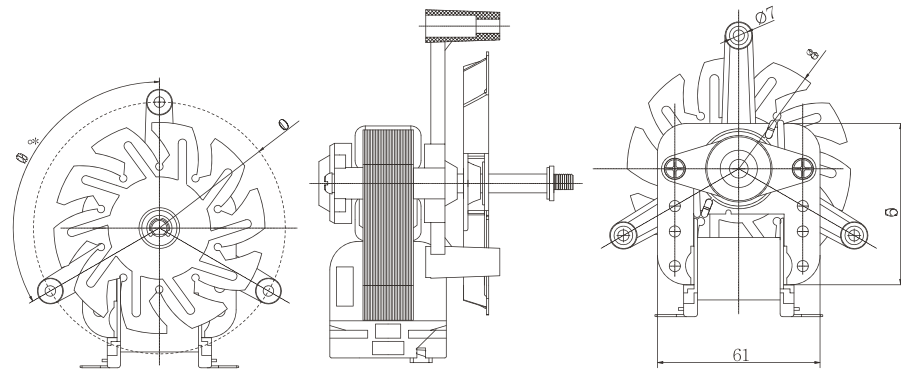
规格型号 Model	Volt(VAC) 使用电压(VAC)	Freq.(HZ) 频率(HZ)	Max Input Power(W) 最大输入功率(W)	Load Speed(RPM) 负载转速(RPM)	Insulation grade 绝缘等级(A,B,E,F,H)	Other 其他
YJ61-20	110-240	50/60	28	1000~2800	A,B,E,F,H	Black plastic sealed
Application 应用领域:	Oven, microwave oven, electric fireplace, electric refrigerator, barbecue, disinfection cabinet, fan heater, exhaust fan, halogen oven, air curtain machine, etc. 电烤箱, 微波炉, 电壁炉, 电冰箱, 野外烧烤, 消毒柜, 暖风机, 排气扇, 光波炉, 风幕机等。					

◎ Product Parameter 产品参数

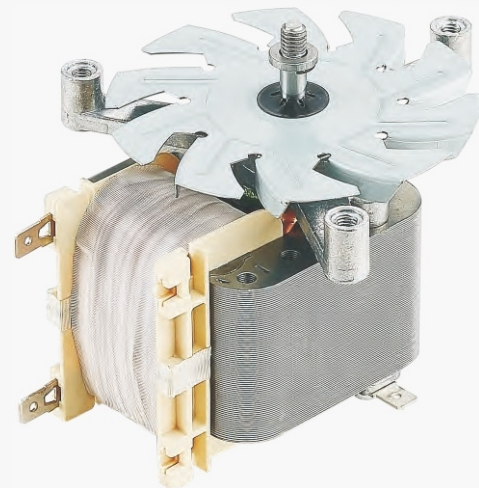
规格型号 Model	Volt(VAC) 使用电压(VAC)	Freq.(HZ) 频率(HZ)	Max Input Power(W) 最大输入功率(W)	Load Speed(RPM) 负载转速(RPM)	Insulation grade 绝缘等级(A,B,E,F,H)	Other 其他
YJ61-25	110-240	50/60	28	1000~2500	A,B,E,F,H	
Application 应用领域:	Oven, microwave oven, electric fireplace, electric refrigerator, barbecue, disinfection cabinet, fan heater, exhaust fan, halogen oven, air curtain machine, etc. 电烤箱, 微波炉, 电壁炉, 电冰箱, 野外烧烤, 消毒柜, 暖风机, 排气扇, 光波炉, 风幕机等。					

◎ Product Parameter 产品参数

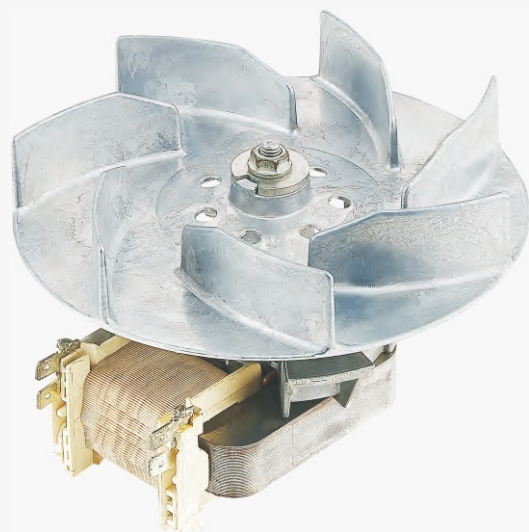
规格型号 Model	Volt(VAC) 使用电压(VAC)	Freq.(HZ) 频率(HZ)	Max Input Power(W) 最大输入功率(W)	No-load speed(RPM) 空载转速(RPM)	Insulation grade 绝缘等级(A,B,E,F,H)	Other 其他
YJ61-30A	100-240	50/60	30-50	2800-3400	A,B,E,F,H	
Application 应用领域:	Oven, microwave oven, refrigerator, mobile air conditioning, light wave furnace, air heater, particle furnace, wall-hanging stove, fireplace, oxygen increasing equipments, exhaust equipment, air curtain machine, rotating barbecue grill, BBQ 电烤箱, 微波炉, 冰箱, 移动空调, 光波炉, 暖风机, 颗粒炉, 壁挂炉, 壁炉, 增氧设备, 排风设备, 风幕机, 旋转烧烤架, BBQ					



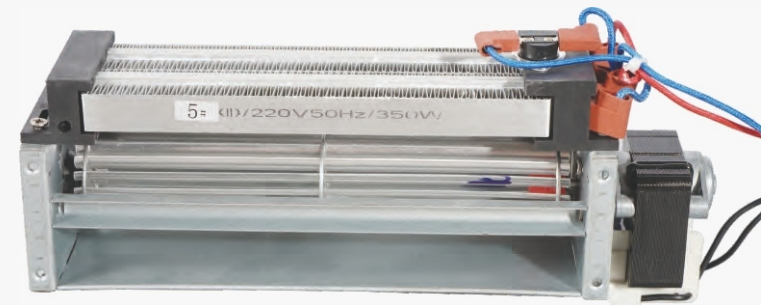
AC Shaded Pole Motor
罩极电机



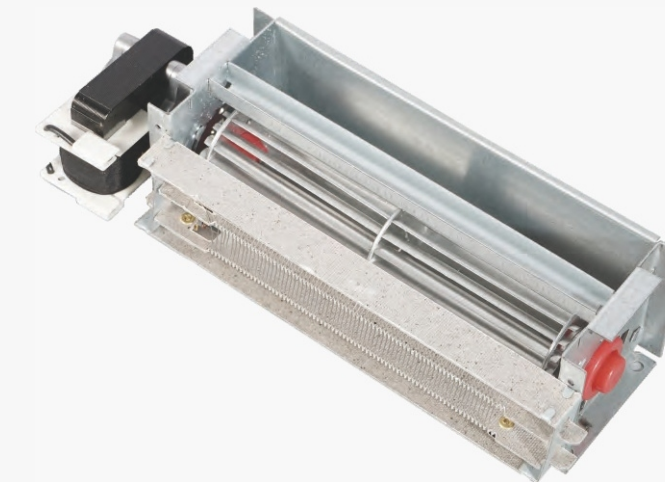
AC Shaded Pole Motor
罩极电机



Cross Flow Fan
贯流风机



Cross Flow Fan
贯流风机



◎ Product Parameter 产品参数

规格型号 Model	Volt(VAC) 使用电压(VAC)	Freq.(HZ) 频率(HZ)	Max Input Power(W) 最大输入功率(W)	Load Speed(RPM) 负载转速(RPM)	Insulation grade 绝缘等级(A,B,E,F,H)	Other 其他
YJ61-40	110-240	50/60	50	1000-2800	A,B,E,F,H	
Application 应用领域:	Oven, microwave oven, electric fireplace, electric refrigerator, barbecue, disinfection cabinet, fan heater, exhaust fan, halogen oven, air curtain machine, etc. 电烤箱, 微波炉, 电壁炉, 电冰箱, 野外烧烤, 消毒柜, 暖风机, 排气扇, 光波炉, 风幕机等。					

◎ Product Parameter 产品参数

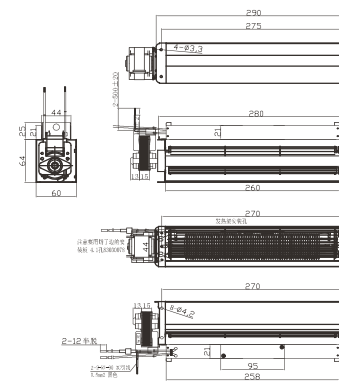
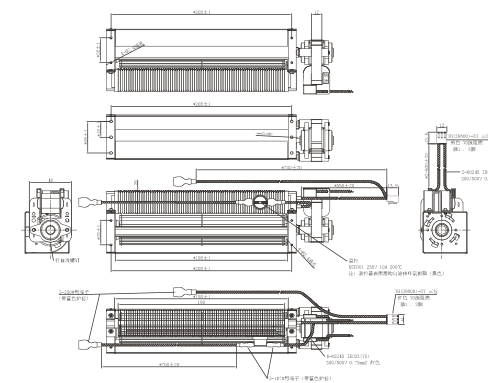
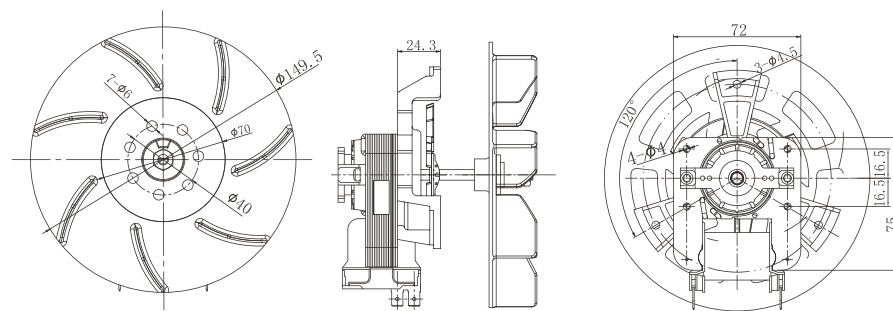
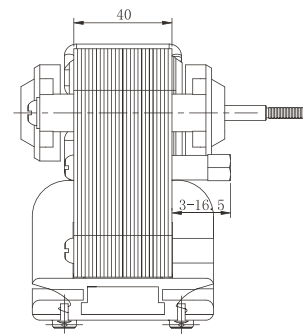
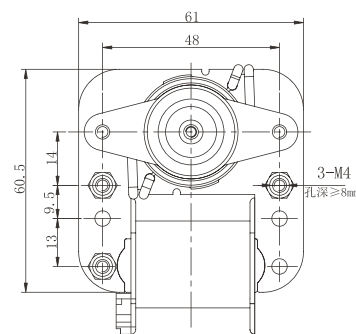
规格型号 Model	Volt(VAC) 使用电压(VAC)	Freq.(HZ) 频率(HZ)	Max Input Power(W) 最大输入功率(W)	Load Speed(RPM) 负载转速(RPM)	Insulation grade 绝缘等级(A,B,E,F,H)	Other 其他
YJ72-18	110-240	50/60	28	1000-2800	A,B,E,F,H	
Application 应用领域:	Oven, microwave oven, electric fireplace, electric refrigerator, barbecue, disinfection cabinet, fan heater, exhaust fan, halogen oven, air curtain machine, etc. 电烤箱, 微波炉, 电壁炉, 电冰箱, 野外烧烤, 消毒柜, 暖风机, 排气扇, 光波炉, 风幕机等。					

◎ Product Parameter 产品参数

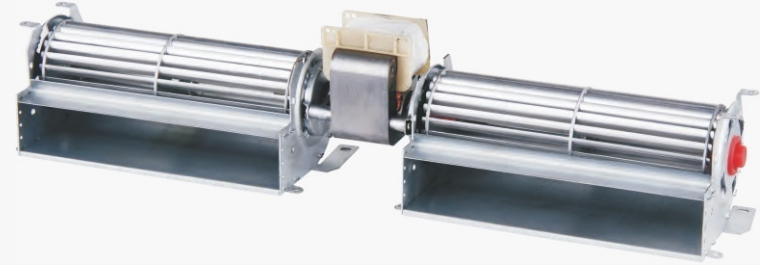
规格型号 Model	Volt(VAC) 使用电压(VAC)	Freq.(HZ) 频率(HZ)	Max Input Power(W) 最大输入功率(W)	Load Speed(RPM) 负载转速(RPM)	Wind Speed 风速	Insulation grade 绝缘等级(A,B,E,F,H)	Outlet temperature °C 出风口温度 °C
YJ48-12A	100-240	50/60	300-400	1200-2300	3-5	A,B,E,F,H	50 ± 10
Application 应用领域:	Oven, microwave oven, refrigerator, mobile air conditioning, light wave furnace, air heater, particle furnace, wall-hanging stove, fireplace, oxygen increasing equipments, exhaust equipment, air curtain machine, rotating barbecue grill, BBQ, medical vibration equipments 电烤箱、微波炉、冰箱、移动空调、光波炉、暖风机、颗粒炉、壁挂炉、壁炉、增氧设备、排风设备、风幕机、旋转烧烤架、BBQ、医药震动仪器						

◎ Product Parameter 产品参数

规格型号 Model	Volt(VAC) 使用电压(VAC)	Freq.(HZ) 频率(HZ)	Max Input Power(W) 最大输入功率(W)	Load Speed(RPM) 负载转速(RPM)	Wind Speed 风速	Insulation grade 绝缘等级(A,B,E,F,H)	Outlet temperature °C 出风口温度 °C
YJ48-15A	100-240	50/60	300-400	1200-2300	3-5	A,B,E,F,H	50 ± 10
Application 应用领域:	Oven, microwave oven, refrigerator, mobile air conditioning, light wave furnace, air heater, particle furnace, wall-hanging stove, fireplace, oxygen increasing equipments, exhaust equipment, air curtain machine, rotating barbecue grill, BBQ 电烤箱、微波炉、冰箱、移动空调、光波炉、暖风机、颗粒炉、壁挂炉、壁炉、增氧设备、排风设备、风幕机、旋转烧烤架、BBQ						



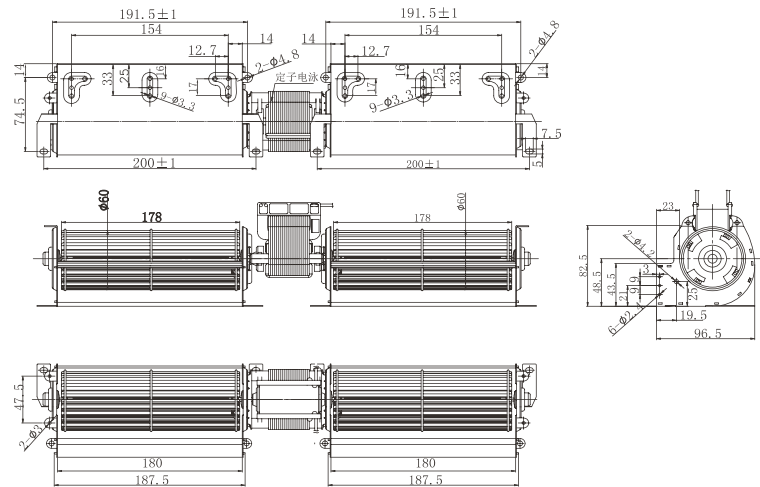
Cross Flow Fan
贯流风机



◎ Product Parameter 产品参数

规格型号 Model	Volt(VAC) 使用电压(VAC)	Freq.(HZ) 频率(HZ)	Max Input Power(W) 最大输入功率(W)	Load Speed(RPM) 负载转速(RPM)	Airflow(M ³ /H) 最大风量(M ³ /H)	Other 其他
(double) C60180双风机	110-240	50/60	60	800~2200	360	

Application
应用领域: Oven, microwave oven, electric fireplace, electric refrigerator, barbecue, disinfection cabinet, fan heater, exhaust fan, halogen oven, air curtain machine, etc.
电烤箱, 微波炉, 电壁炉, 电冰箱, 野外烧烤, 消毒柜, 暖风机, 排气扇, 光波炉, 风幕机等。



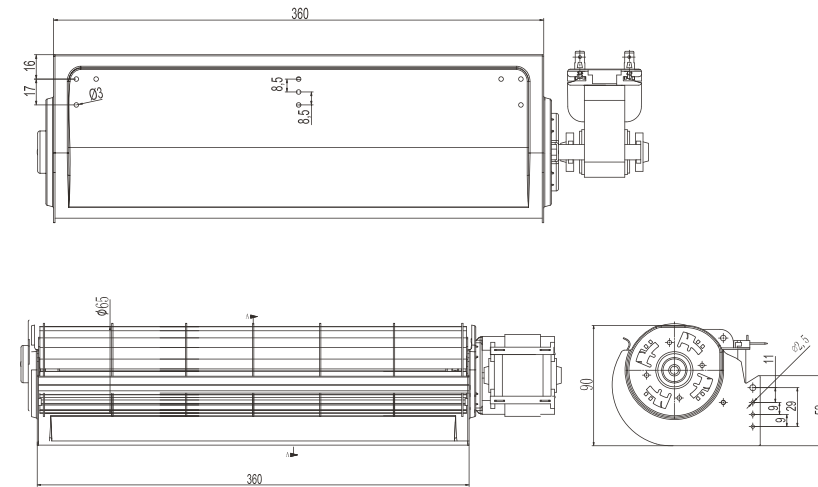
Cross Flow Fan
贯流风机



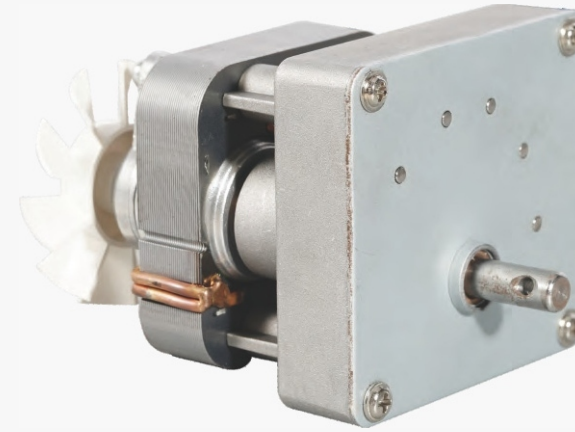
◎ Product Parameter 产品参数

规格型号 Model	Volt(VAC) 使用电压(VAC)	Freq.(HZ) 频率(HZ)	Max Input Power(W) 最大输入功率(W)	Load Speed(RPM) 负载转速(RPM)	Airflow(M ³ /H) 最大风量(M ³ /H)	Other 其他
C60360	110-240	50/60	60	800~2200	360	

Application
应用领域: Oven, microwave oven, electric fireplace, electric refrigerator, barbecue, disinfection cabinet, fan heater, exhaust fan, halogen oven, air curtain machine, etc.
电烤箱, 微波炉, 电壁炉, 电冰箱, 野外烧烤, 消毒柜, 暖风机, 排气扇, 光波炉, 风幕机等。



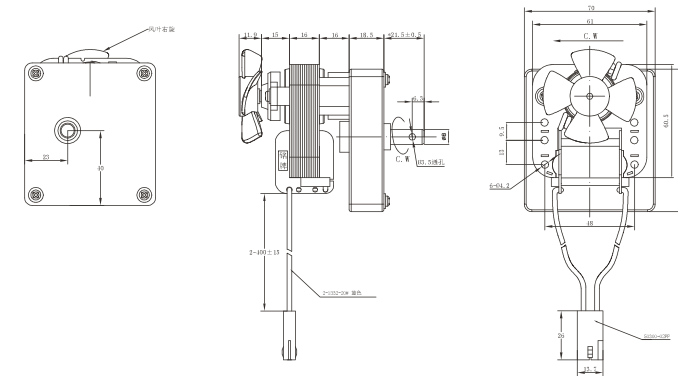
AC Gear Motor
齿轮减速电机



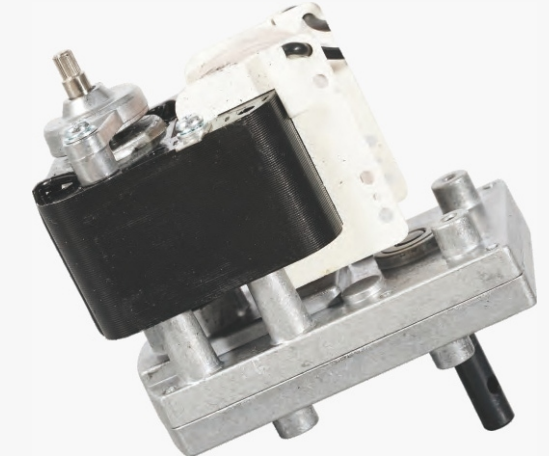
◎ Product Parameter 产品参数

规格型号 Model	Volt(VAC) 使用电压(VAC)	Freq.(HZ) 频率(HZ)	Max Input Power(W) 最大输入功率(W)	Load Speed(RPM) 负载转速(RPM)	Torque (N/m) 转矩(N/m)	Insulation grade 绝缘等级(A,B,E,F,H)
YJ61-20A	100-240	50/60	20-32	1.6~4	10-25	A,B,E,F,H

Application
应用领域: Oven, microwave oven, refrigerator, mobile air conditioning, light wave furnace, air heater, particle furnace, wall-hanging stove, fireplace, oxygen increasing equipments, exhaust equipment, air curtain machine, rotating barbecue grill, BBQ
电烤箱, 微波炉, 冰箱, 移动空调, 光波炉, 暖风机, 颗粒炉, 壁挂炉, 壁炉, 增氧设备, 排风设备, 风幕机, 旋转烧烤架, BBQ



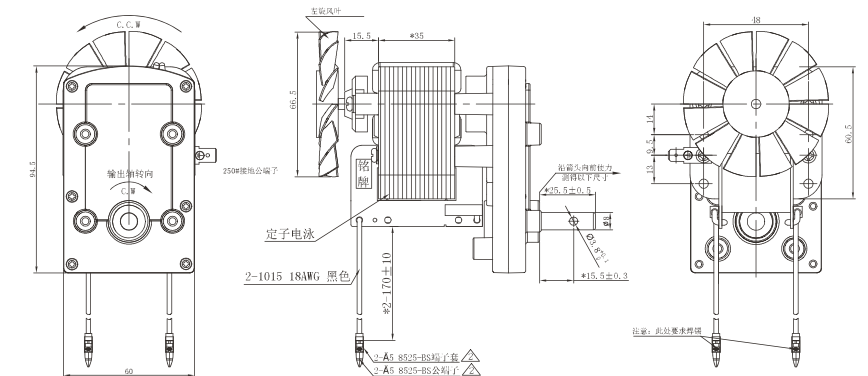
AC Gear Motor
齿轮减速电机

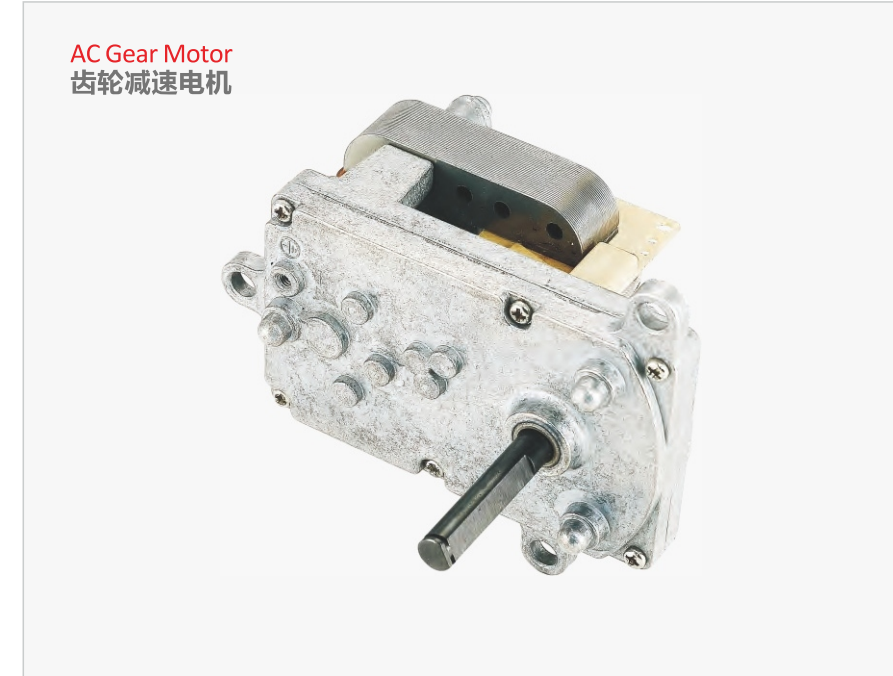
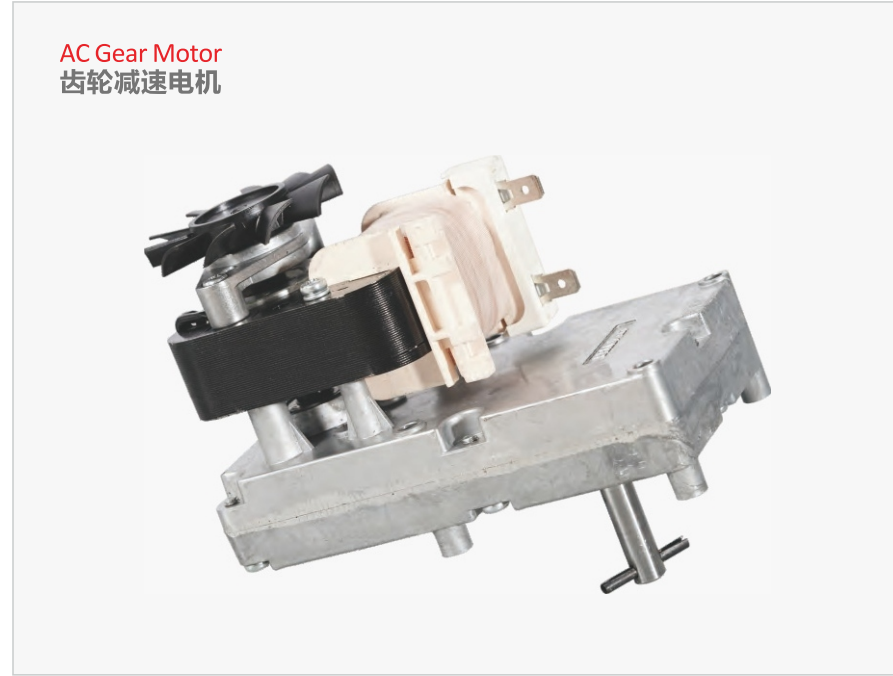
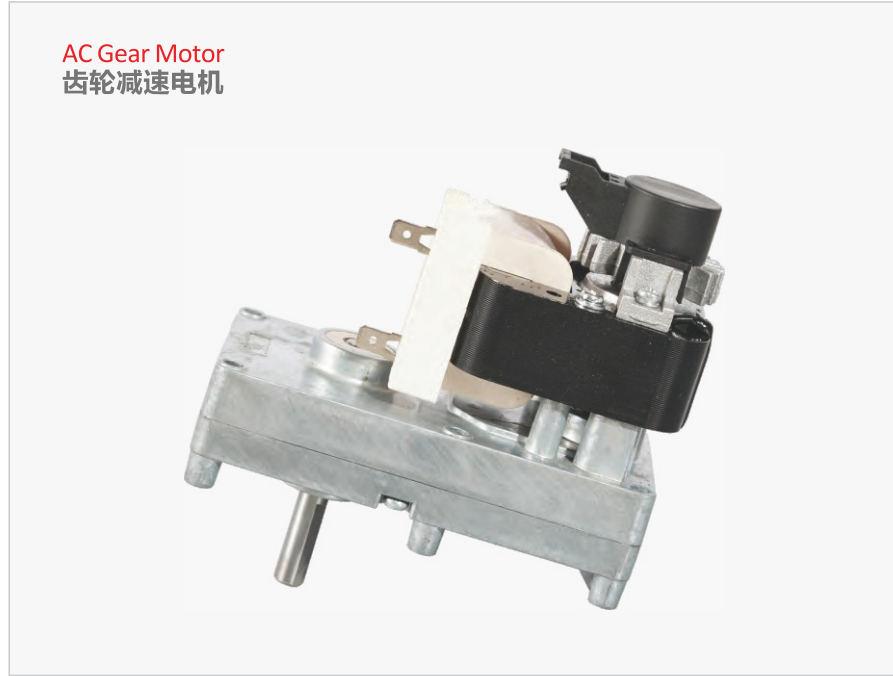


◎ Product Parameter 产品参数

规格型号 Model	Volt(VAC) 使用电压(VAC)	Freq.(HZ) 频率(HZ)	Max Input Power(W) 最大输入功率(W)	Load Speed(RPM) 负载转速(RPM)	Torque (N/m) 转矩(N/m)	Insulation grade 绝缘等级(A,B,E,F,H)
YJ61-35A	100-240	50/60	20-40	1~8	5-25	A,B,E,F,H

Application
应用领域: Oven, microwave oven, refrigerator, mobile air conditioning, light wave furnace, air heater, particle furnace, wall-hanging stove, fireplace, oxygen increasing equipments, exhaust equipment, air curtain machine, rotating barbecue grill, BBQ
电烤箱, 微波炉, 冰箱, 移动空调, 光波炉, 暖风机, 颗粒炉, 壁挂炉, 壁炉, 增氧设备, 排风设备, 风幕机, 旋转烧烤架, BBQ





◎ Product Parameter 产品参数

规格型号 Model	Volt(VAC) 使用电压(VAC)	Freq.(HZ) 频率(HZ)	Max Input Power(W) 最大输入功率(W)	Load Speed(RPM) 负载转速(RPM)	Torque (N/m) 转矩(N/m)	Insulation grade 绝缘等级(A,B,E,F,H)
YJ61-35A	100-240	50/60	20-40	1~8	5-25	A,B,E,F,H
Application 应用领域:	Oven, microwave oven, refrigerator, mobile air conditioning, light wave furnace, air heater, particle furnace, wall-hanging stove, fireplace, oxygen increasing equipments, exhaust equipment, air curtain machine, rotating barbecue grill, BBQ 电烤箱、微波炉、冰箱、移动空调、光波炉、暖风机、颗粒炉、壁挂炉、壁炉、增氧设备、排风设备、风幕机、旋转烧烤架、BBQ					

◎ Product Parameter 产品参数

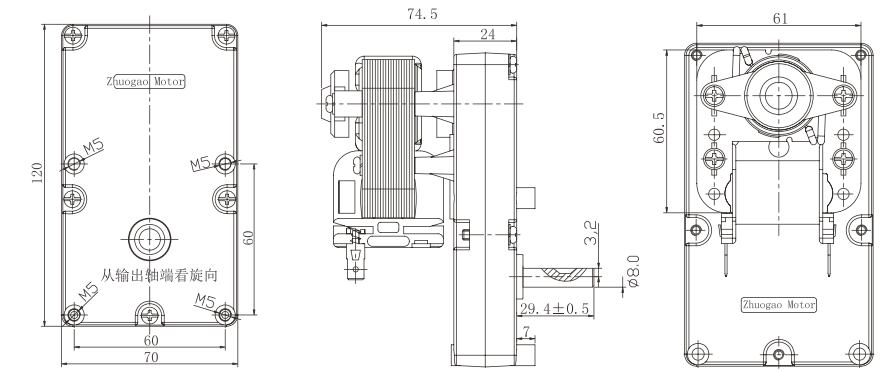
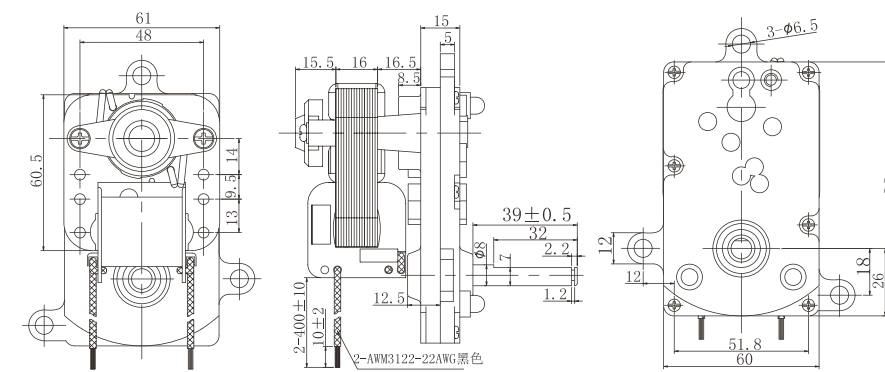
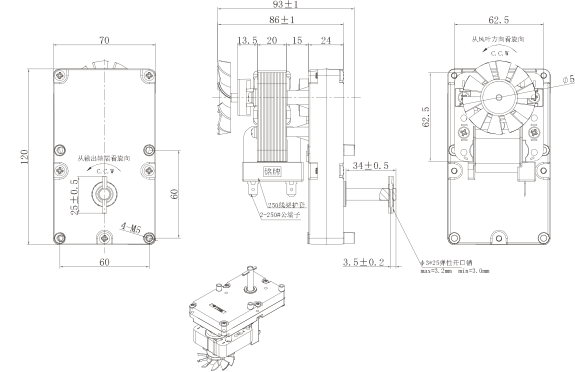
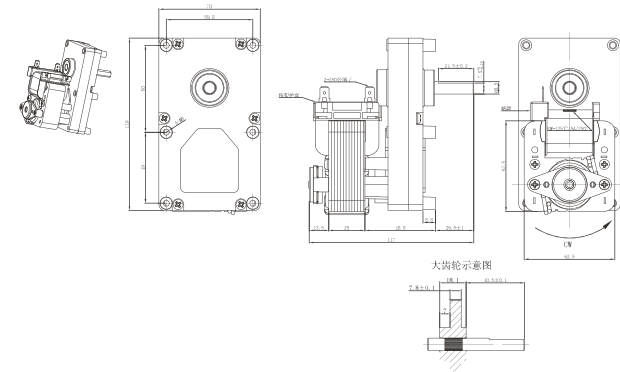
规格型号 Model	Volt(VAC) 使用电压(VAC)	Freq.(HZ) 频率(HZ)	Max Input Power(W) 最大输入功率(W)	Load Speed(RPM) 负载转速(RPM)	Torque (N/m) 转矩(N/m)	Insulation grade 绝缘等级(A,B,E,F,H)
YJ62-20A	100-240	50/60	20-40	1~10	5-25	A,B,E,F,H
Application 应用领域:	Oven, microwave oven, refrigerator, mobile air conditioning, light wave furnace, air heater, particle furnace, wall-hanging stove, fireplace, oxygen increasing equipments, exhaust equipment, air curtain machine, rotating barbecue grill, BBQ 电烤箱、微波炉、冰箱、移动空调、光波炉、暖风机、颗粒炉、壁挂炉、壁炉、增氧设备、排风设备、风幕机、旋转烧烤架、BBQ					

◎ Product Parameter 产品参数

规格型号 Model	Volt(VAC) 使用电压(VAC)	Freq.(HZ) 频率(HZ)	Max Input Power(W) 最大输入功率(W)	Load Speed(RPM) 负载转速(RPM)	Torque (N/m) 转矩(N/m)	Insulation grade 绝缘等级(A,B,E,F,H)
YJ61-16 齿轮箱电机	100-240	50/60	22	50~60	5-10	A,B,E,F,H
Application 应用领域:	Oven, microwave oven, electric fireplace, electric refrigerator, barbecue, disinfection cabinet, fan heater, exhaust fan, halogen oven, air curtain machine, etc. 电烤箱、微波炉、电壁炉、电冰箱、野外烧烤、消毒柜、暖风机、排气扇、光波炉、风幕机等。					

◎ Product Parameter 产品参数

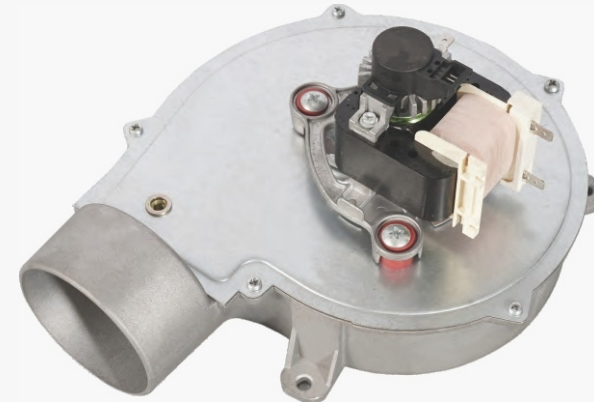
规格型号 Model	Volt(VAC) 使用电压(VAC)	Freq.(HZ) 频率(HZ)	Max Input Power(W) 最大输入功率(W)	Load Speed(RPM) 负载转速(RPM)	Torque (N/m) 转矩(N/m)	Insulation grade 绝缘等级(A,B,E,F,H)
YJ61-20 齿轮箱电机	100-240	50/60	28	2.5	5-25	A,B,E,F,H
Application 应用领域:	Oven, microwave oven, electric fireplace, electric refrigerator, barbecue, disinfection cabinet, fan heater, exhaust fan, halogen oven, air curtain machine, etc. 电烤箱、微波炉、电壁炉、电冰箱、野外烧烤、消毒柜、暖风机、排气扇、光波炉、风幕机等。					



Centrifugal Blower 离心风机



Centrifugal Blower 离心风机



DC Brushless Water Pump 无刷直流水泵

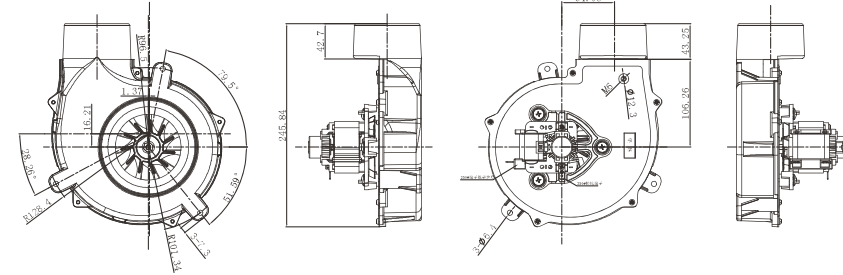
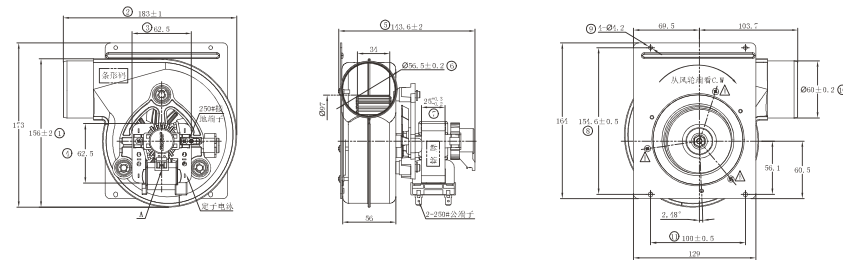


DC Brushless Water Pump 无刷直流水泵

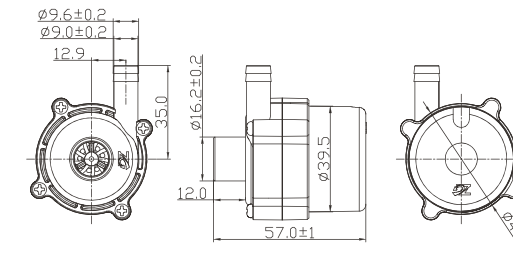


◎ Product Parameter 产品参数								
规格型号 Model	Volt(VAC) 使用电压(VAC)	Freq.(HZ) 频率(HZ)	Max Input Power(W) 最大输入功率(W)	Load Speed(RPM) 负载转速(RPM)	Air speed (m/s) 风速(m/s)	Airflow (m³/h) 风量(m³/h)	Insulation grade 绝缘等级(A,B,E,F,H)	Output pulse 输出脉冲信号
YJ62-25A	100-240	50/60	20-40	1500-2400	8-15	100-160	A,B,E,F,H	12脉冲/圈 12 pulses/cycle
Application 应用领域: Oven, microwave oven, refrigerator, mobile air conditioning, light wave furnace, air heater, particle furnace, wall-hanging stove, fireplace, oxygen increasing equipments, exhaust equipment, air curtain machine, rotating barbecue grill, BBQ 电烤箱、微波炉、冰箱、移动空调、光波炉、暖风机、颗粒炉、壁挂炉、壁炉、增氧设备、排风设备、风幕机、旋转烧烤架、BBQ								

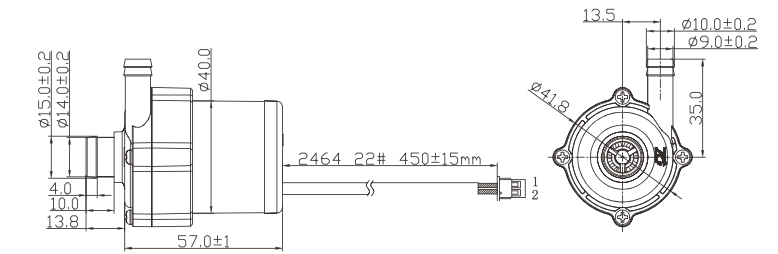
◎ Product Parameter 产品参数								
规格型号 Model	Volt(VAC) 使用电压(VAC)	Freq.(HZ) 频率(HZ)	Max Input Power(W) 最大输入功率(W)	Load Speed(RPM) 负载转速(RPM)	Air speed (m/s) 风速(m/s)	Airflow (m³/h) 风量(m³/h)	Insulation grade 绝缘等级(A,B,E,F,H)	Output pulse 输出脉冲信号
YJ62-30A/ YJ72-20A	100-240	50/60	20-40	1500-2400	8-15	150-300	A,B,E,F,H	12脉冲/圈 12 pulses/cycle
Application 应用领域: Oven, microwave oven, refrigerator, mobile air conditioning, light wave furnace, air heater, particle furnace, wall-hanging stove, fireplace, oxygen increasing equipments, exhaust equipment, air curtain machine, rotating barbecue grill, BBQ 电烤箱、微波炉、冰箱、移动空调、光波炉、暖风机、颗粒炉、壁挂炉、壁炉、增氧设备、排风设备、风幕机、旋转烧烤架、BBQ								



◎ Product Parameter 产品参数	
Character性能	Model型号
Working voltage range 工作电压范围	ZGP4001-1
Rated power 功率范围	6VDC-24VDC
Static water head 静态扬程	3-7W
Static flow rate 静态流量	1.5-2.5(米)
Lifespan 寿命	4-6 L/min(升/分钟)
Working Environment 使用工作环境	Continuous operation under normal working surrounding > 20000H 正常工作状态下连续运行 > 20000小时
Max noise 最大噪音	PH value:PH5-10(weak acid and weak base),workable on land and water 酸碱值: PH5-10 (弱酸弱碱)、水陆两用。
Max working temperature 最大工作温度	Under normal working condition(0.5m over the test instrument < 25dB) 正常工作状态下连续运行(水泵距离测试仪0.5M远) < 25dB
Color 颜色	Under normal temperature,fluid medium temperature ≤ 70°C(100°C) 常温时,水溶液体介质温度 ≤ 70°C (也可订制100°C)
Outlet direction 出水口方位	Black color, can be customized according to customer's requirement 黑色(也可按客户要求订制)
Can be adjustable at any angle 可任意角度调整	
Dimension尺寸	
Length 长 (mm)	Width 宽 (mm)
Height 高 (mm)	IP grade 防水等级
57	41.5
58	IP68
Inlet进水口	
OD外径 (mm)	ID内径 (mm)
φ16.2	φ13.0
Outlet出水口	
OD外径 (mm)	ID内径 (mm)
φ9.0	φ6.3
Remarks 备注	
Inlet has screw, Outlet has anti-slip strip 进水口、出水口带防滑条	



◎ Product Parameter 产品参数	
Character性能	Model型号
Working voltage range 工作电压范围	ZGP4002-1
Rated power 功率范围	6VDC-24 VDC
Static water head 静态扬程	3.5-20W
Static flow rate 静态流量	1.5-6(米)
Lifespan 寿命	4-10 L/min(升/分钟)
Working Environment 使用工作环境	Continuous operation under normal working surrounding > 30000H 正常工作状态下连续运行 > 30000小时
Max noise 最大噪音	PH value:PH5-10(weak acid and weak base),workable on land and water 酸碱值: PH5-10 (弱酸弱碱)、水陆两用。
Max working temperature 最大工作温度	Under normal working condition(1m over the test instrument < 40dB) 正常工作状态下连续运行(水泵距离测试仪1M远) < 40dB
Color 颜色	Under normal temperature,fluid medium temperature ≤ 70°C(100°C) 常温时,水溶液体介质温度 ≤ 70°C (也可订制100°C)
Outlet direction 出水口方位	Black color, can be customized according to customer's requirement 黑色(也可按客户要求订制)
Can be adjustable at any angle 可任意角度调整	
Dimension尺寸	
Length 长 (mm)	Width 宽 (mm)
Height 高 (mm)	IP grade 防水等级
70	42
60	IP68
Inlet进水口	
OD外径 (mm)	ID内径 (mm)
φ14.0	φ11.4
Outlet出水口	
OD外径 (mm)	ID内径 (mm)
φ9.0	φ6.4
Remarks 备注	
Inlet has screw, Outlet has anti-slip strip 进水口、出水口带防滑条	

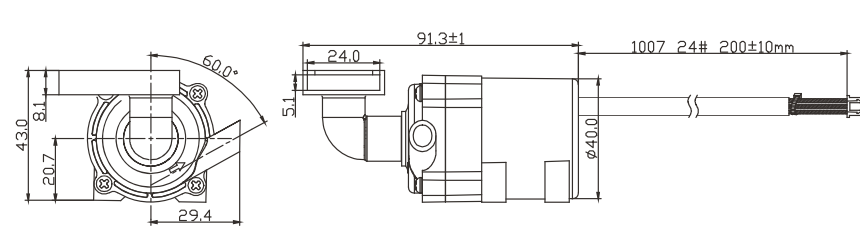


DC Brushless Water Pump
无刷直流水泵



Product Parameter 产品参数

Model型号		ZGP4003-1						
Character性能								
Working voltage range 工作电压范围		6VDC-24VDC						
Rated power 功率范围		3.5-20W						
Static water head 静态扬程		1.5-6(米)						
Static flow rate 静态流量		4-10 L/min(升/分钟)						
Lifespan 寿命		Continuous operation under normal working surrounding > 30000H 正常工作状态下连续运行 > 30000小时						
Working Environment 使用工作环境		PH value:PH5-10(weak acid and weak base),workable on land and water 酸碱值: PH5-10 (弱酸弱碱)、水陆两用。						
Max noise 最大噪音		Under normal working condition(0.5m over the test instrument < 40dB) 正常工作状态下连续运行(水泵距离测试仪0.5M远) < 40dB						
Max working temperature 最大工作温度		Under normal temperature ,fluid medium temperature ≤ 100℃ 常温时, 水溶液体介质温度 ≤ 100℃						
Color 颜色		Black color, can be customized according to customer's requirement 黑色(也可按客户要求订制)						
Outlet direction 出水口方位		Can be adjustable at any angle 可任意角度调整						
Dimension尺寸			IP grade 防水等级	Inlet进水口		Outlet出水口		Remarks 备注
Length 长 (mm)	Width 宽 (mm)	Height 高 (mm)		OD外径 (mm)	ID内径 (mm)	OD外径 (mm)	ID内径 (mm)	
93.1	42.0	43.5	IP68	φ11.8	φ8.7	φ8.8	φ6.4	Inlet has screw, Outlet has anti-slip strip 进水口、出水口带防滑条

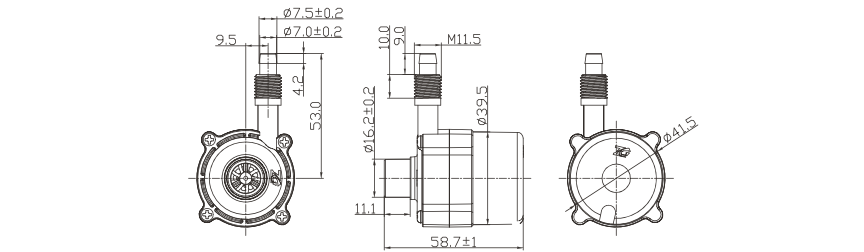


DC Brushless Water Pump
无刷直流水泵



Product Parameter 产品参数

Model型号		ZGP4004-1						
Character性能								
Working voltage range 工作电压范围		6VDC-24 VDC						
Rated power 功率范围		3-7W						
Static water head 静态扬程		1.5-2.5(米)						
Static flow rate 静态流量		3-5L/min(升/分钟)						
Lifespan 寿命		Continuous operation under normal working surrounding > 20000H 正常工作状态下连续运行 > 20000小时						
Working Environment 使用工作环境		PH value:PH5-10(weak acid and weak base),workable on land and water 酸碱值: PH5-10 (弱酸弱碱)、水陆两用。						
Max noise 最大噪音		Under normal working condition(0.5m over the test instrument < 25dB) 正常工作状态下连续运行(水泵距离测试仪0.5M远) < 25dB						
Max working temperature 最大工作温度		Under normal temperature ,fluid medium temperature ≤ 70℃(100℃) 常温时, 水溶液体介质温度 ≤ 70℃ (也可订制100℃)						
Color 颜色		Black color, can be customized according to customer's requirement 黑色(也可按客户要求订制)						
Outlet direction 出水口方位		Can be adjustable at any angle 可任意角度调整						
Dimension尺寸			IP grade 防水等级	Inlet进水口		Outlet出水口		Remarks 备注
Length 长 (mm)	Width 宽 (mm)	Height 高 (mm)		OD外径 (mm)	ID内径 (mm)	OD外径 (mm)	ID内径 (mm)	
58.7	41.5	74.0	IP68	φ16.2	φ12.9	φ7.0	φ5.3	Inlet has screw, Outlet has anti-slip strip 进水口、出水口带防滑条

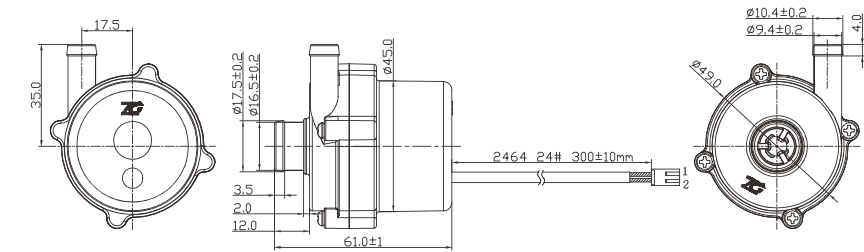


DC Brushless Water Pump
无刷直流水泵



Product Parameter 产品参数

Model型号		ZGP4501-1						
Character性能								
Working voltage range 工作电压范围		6VDC-24VDC						
Rated power 功率范围		3.5-6W						
Static water head 静态扬程		1.5-2.5(米)						
Static flow rate 静态流量		5-8 L/min(升/分钟)						
Lifespan 寿命		Continuous operation under normal working surrounding > 20000H 正常工作状态下连续运行 > 20000小时						
Working Environment 使用工作环境		PH value:PH5-10(weak acid and weak base),workable on land and water 酸碱值: PH5-10 (弱酸弱碱)、水陆两用。						
Max noise 最大噪音		Under normal working condition(0.5m over the test instrument < 28dB) 正常工作状态下连续运行(水泵距离测试仪0.5M远) < 28dB						
Max working temperature 最大工作温度		Under normal temperature ,fluid medium temperature ≤ 70℃(100℃) 常温时, 水溶液体介质温度 ≤ 70℃ (也可订制100℃)						
Color 颜色		Black color, can be customized according to customer's requirement 黑色(也可按客户要求订制)						
Outlet direction 出水口方位		Can be adjustable at any angle 可任意角度调整						
Dimension尺寸			IP grade 防水等级	Inlet进水口		Outlet出水口		Remarks 备注
Length 长 (mm)	Width 宽 (mm)	Height 高 (mm)		OD外径 (mm)	ID内径 (mm)	OD外径 (mm)	ID内径 (mm)	
61	49	63.3	IP68	φ16.5	φ13.3	φ9.4	φ6.8	Inlet has screw, Outlet has anti-slip strip 进水口、出水口带防滑条

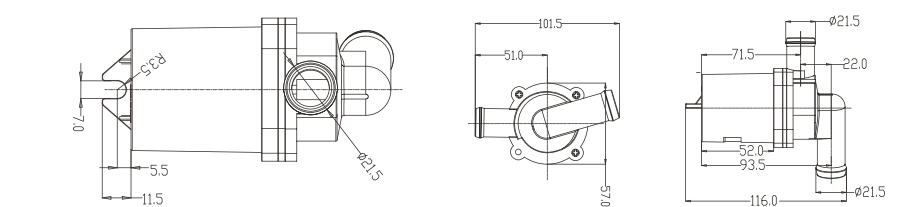


DC Brushless Water Pump
无刷直流水泵



Product Parameter 产品参数

Model型号		ZGP5005-1						
Character性能								
Working voltage range 工作电压范围		6VDC-24VDC						
Rated power 功率范围		15-60W						
Static water head 静态扬程		2-6 meters (米)						
Static flow rate 静态流量		8-22L/min(升/分钟)						
Lifespan 寿命		Continuous operation under normal working surrounding > 20000H 正常工作状态下连续运行 > 20000小时						
Working Environment 使用工作环境		PH value: PH5-10(weak acid and weak base), workable only on land. 酸碱值: PH5-10 (弱酸弱碱)、陆地用, 不潜水。						
Max noise 最大噪音		Under normal working condition,(1meter over the test instrument) < 45dB 正常工作状态下连续运行(水泵距离测试仪1M远) < 45dB						
Max working temperature 最大工作温度		Under room temperature surroundings, fluid medium temperature ≤ 70℃ 常温时, 水溶液体介质温度 ≤ 70℃						
Application 主要用途		Water circulation of pipe, solar water heater, electric vehicle engine, water circulation of vehicle, car washing, etc.太阳能热水器, 管道热水循环, 电动汽车发动机泵, 汽车水循环、洗车、等。						
Color 颜色		Black color, can be customized according to customer's requirement 黑色(也可按客户要求订制)						
Outlet direction 出水口方位		Can be adjustable at any angle 可任意角度调整						
Dimension尺寸			IP grade 防水等级	Inlet进水口		Outlet出水口		Remarks 备注
Length 长 (mm)	Width 宽 (mm)	Height 高 (mm)		OD外径 (mm)	ID内径 (mm)	OD外径 (mm)	ID内径 (mm)	
102	57.0	116	IP67	φ20	φ15	φ20	φ15	Inlet has screw, Outlet has anti-slip strip 进水口、出水口带防滑条

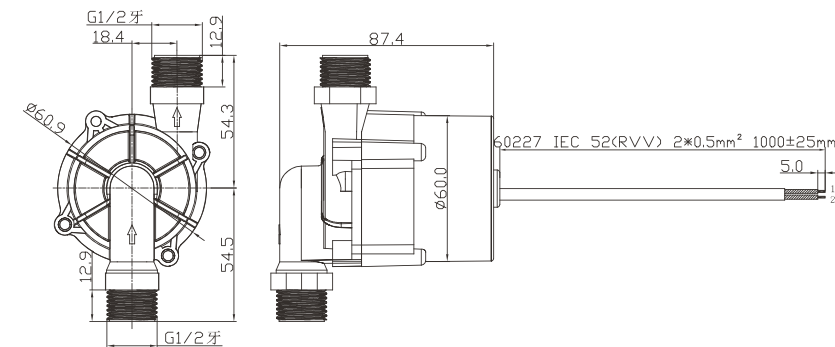


DC Brushless Water Pump
无刷直流水泵



Product Parameter 产品参数

Model型号	ZGP6001-1				
Character性能	ZGP6001-1				
Working Voltage 工作电压(V)	24V				
Working Current 工作电流(A)	1-2.5A				
Head of delivery (m) 扬程(m)	6-13(米)				
Airflow (L/min) 流量(L/min)	12-22 L/min(升/分钟)				
Noisy (db) 噪音(db)	≤50dB When the ambient noise is ≤20dB and the pump is working normally, the noise meter shall be tested 1 meter away from the pump ≤50dB(在环境噪音≤20dB,水泵正常工作时,噪音仪距离水泵1米处水平测试)				
Instructions of operation: 使用说明:	1. The ambient temperature: -25℃~60℃ 1. 环境温度: -25℃~60℃ 2. Medium temperature: 0~60℃ 2. 介质温度: 0~60℃ 3. The medium: water 3. 介质: 清水 4. The level of protection: IP68 4. 防护等级: IP68				
Length 长(mm)	Wide 宽(mm)	High 高(mm)	The level of protection 防护等级	Inlet of water 进水口	Outlet of water 出水口
108.8	60.9	87.4	IP68	G1/2 teech	G1/2 teech

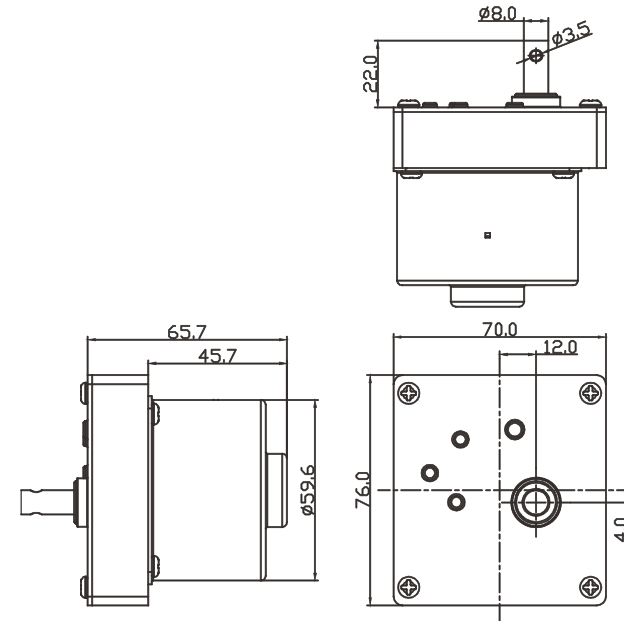


DC Gear Motor
无刷直流齿轮减速电机



Product Parameter 产品参数

规格型号 Model	Volt(VAC) 使用电压(VAC)	Max Input Power(W) 最大输入功率(W)	Load Speed(RPM) 负载转速(RPM)	Torque (N/m) 转矩(N/m)	Working enviroment temperature 使用环境温度	Enviroment humidity 环境湿度
ZGG6001-1	12-24	2-30	2-6	3-10	-25~70℃	85%RH
Funcational charactertsis 功能特性	1.Reverse connection protection; 2.0-10V speed governing; 3.FG signal; 4.Positive and negative rotation;			1.反接保护; 2.0-10V调速; 3.FG信号; 4.正反转		
Application 应用领域:	Oven,partical furnace,wall-hanging stove,rotation barbuecue grill,BBQ 烤箱、颗粒炉、壁炉、旋转烧烤架、BBQ					

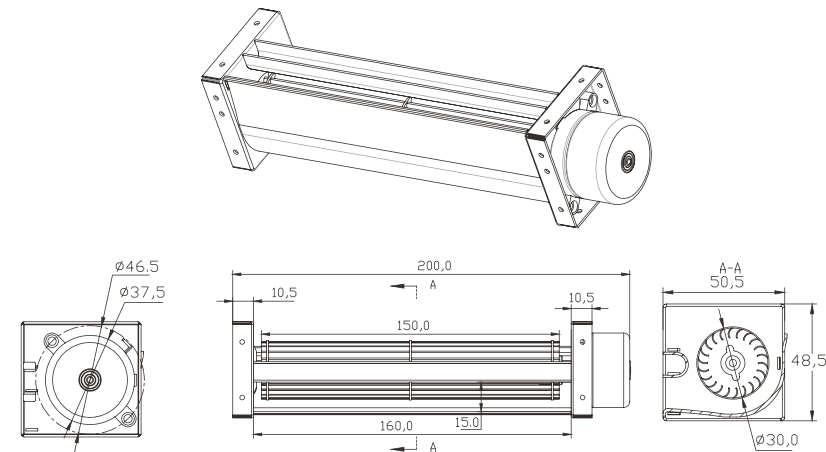


DC Brushless Fan
无刷直流风机



Product Parameter 产品参数

Model型号	ZGF-33160 (two types optional两种外观可选)	
Character性能	ZGF-33160 (two types optional两种外观可选)	
Working voltage range 工作电压范围	6VDC-24VDC	
Rated power 功率范围	3-6W	
Load Speed 负载转速	2000-4500R/min	
Wind Speed 风速	2-5M/S	
Max lifespan 最大使用寿命	Continuous operation under normal working surrounding > 15000H 正常工作状态下连续运行 > 15000H	
Rotation direction 转向	CCW 逆时针	
Max noise 最大噪音	Continuous operation under normal working condition, (1meter over the test instrument) < 55dB 正常工作状态下连续运行 (距离测试仪1M远) < 55dB	
Color 颜色	Silver color/ Black electrophoresis 本色/黑色电泳	
Main Application 主要用途	Electric oven,electric fireplace, heater, air cleaner, clothes hanger, wardrobe, etc. 电烤箱,电壁炉,暖风机,空气清新机,晾衣架,衣柜	



DC Brushless Fan
无刷直流风机



Product Parameter 产品参数

Model型号	ZGF-40300	
Character性能	ZGF-40300	
Working voltage range 工作电压范围	6VDC-24VDC	
Rated power 功率范围	3-6W	
Load Speed 负载转速	2000-3500R/min	
Wind Speed 风速	2-6M/S	
Max lifespan 最大使用寿命	Continuous operation under normal working surrounding > 15000H 正常工作状态下连续运行 > 15000H	
Rotation direction 转向	CCW 逆时针转	
Max noise 最大噪音	Continuous operation under normal working condition, (1meter over the test instrument) < 55dB 正常工作状态下连续运行 (距离测试仪1M远) < 55dB	
Color 颜色	Silver color/ Black electrophoresis 本色/黑色电泳	
Main Application 主要用途	Electric oven,electric fireplace, heater, air cleaner, clothes hanger, wardrobe, etc. 电烤箱,电壁炉,暖风机,空气清新机,晾衣架,衣柜	

