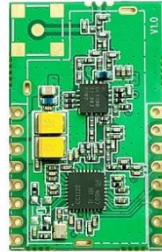


N516AS CC1120 CC1190 Module, +27dBm



N516AS Module introduction

N516AS radio module based TI CC1120 transceiver, CC1190, and TCXO crystal.

N516AS CC1120 CC1190 transceiver module designed for 868M and 915 Mhz narrowband band. SPI control. The FSK module has +27 dBm output power and the sensitivity down to -126 dBm, WMBUS and Arduino support.

N516AS module has SMD and plug-in installation mode. The module use narrowband FSK modulation. The N516 AS FSK module occupies very little bandwidth.

N516AS hardware is designed for maximum range, 10000 m + Range (Line of Sight).

N516AS Module Parameters

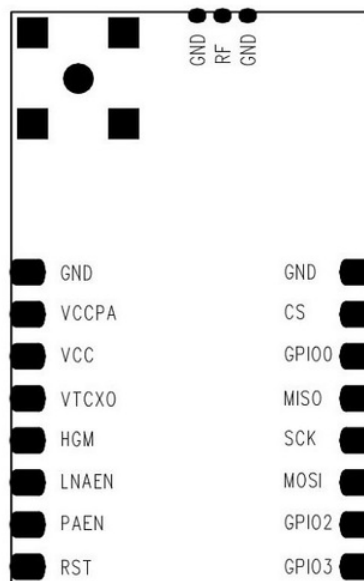
Module	Introduce
Interface	SPI
Frequency	860 - 960 Mhz
RF Data Rate	0 - 200 kbps
TX Power	+27 dBm
RX Sensitivity	-126 dBm
TX Current	500 mA
RX Current	35 mA
Frequency Deviation	+/- 2 KHz
Communication Distance	10 - 10000 m (Visual distance)
Antenna Interface	RF pin, SMA
Installation Mode	SMD, plug-in
Volume (mm)	36 mm x 23 mm x 3 mm

Operating Voltage	2 - 3.6 V
Working Temperature and Humidity Environment	Temperature: -40 - 80°C; Humidity 10 - 95 %RH
Storage Temperature and Humidity Environment	Temperature: -40 - 80°C; Humidity 10 - 95 %RH
Weight (kg)	≈10g

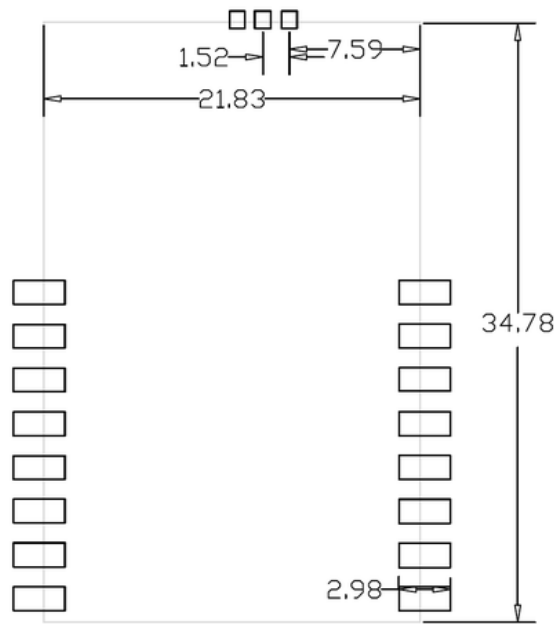
N516AS pinout Description

	Pin name	Description		Pin name	Description
1	GND	Ground	9	GPIO3	MCU I/O
2	VCCPA	2-3.9V	10	GPIO2	MCU I/O
3	VCC	2-3.6V	11	MOSI	SPI
4	TCXO	MCU I/O	12	SCK	SPI
5	HGM	MCU I/O	13	MISO	SPI
6	LNAEN	MCU I/O	14	GPIO0	MCU I/O
7	PAEN	MCU I/O	15	CS	SPI
8	RESET	MCU I/O	16	GND	Ground

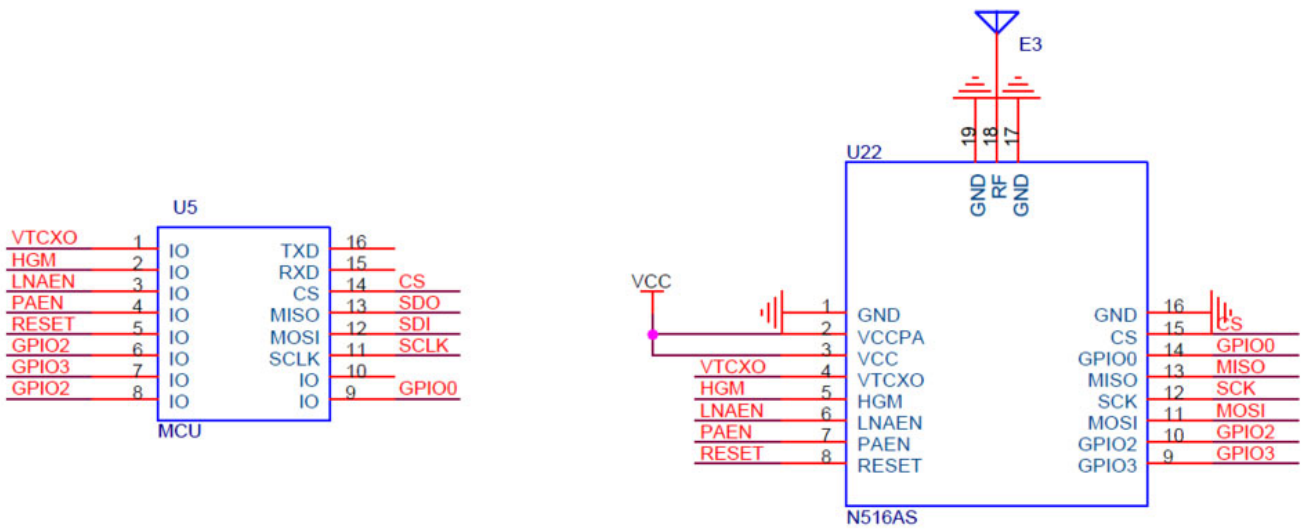
N516AS Module Package



N516AS Module Packaging Diagram



N516AS Typical Application Circuit



N516AS Ordering Information

N516AS-868M	CC1120+CC1190	+27 dBm, Narrowband, 860 - 880 MHz
N516AS-915M	CC1120+CC1190	+27 dBm, Narrowband, 910 - 960 MHz

More information please contact with us.