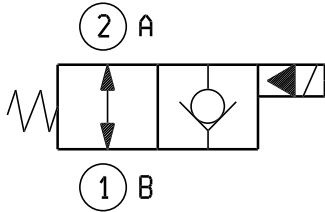
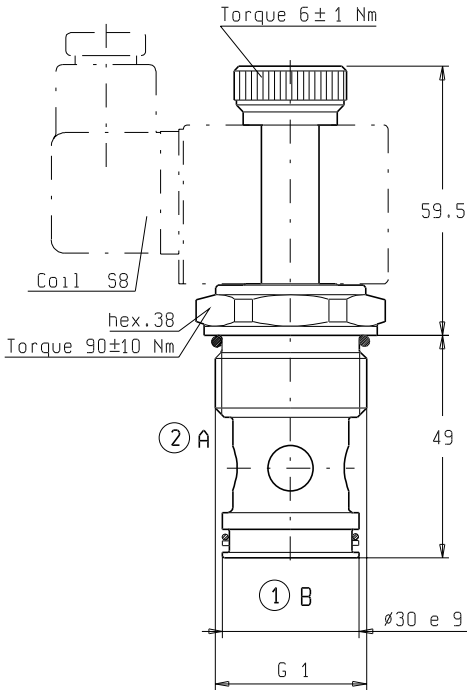




**SOLENOID OPERATED CARTRIDGE VALVES
POPPET 2-WAY NORMALLY OPEN**

VEI-8A-2A-12-NA-S

OD.15.06.21 - Y - 00



DESCRIPTION

Two way, pilot operated, normally open poppet style solenoid cartridge valves, designed for applications requiring virtually zero internal leakage.

OPERATION

When de-energized, flow is allowed in both directions.
When energized, the poppet lowers blocking flow from A to B and allowing flow from B to A after overcoming the coil force.
To operate push style manual override: push and hold override button.
To operate push and twist style manual override: push override button, turn clockwise and release; the valve will remain closed.

FEATURES - RATINGS

Maximum Operating Pressure 350 bar

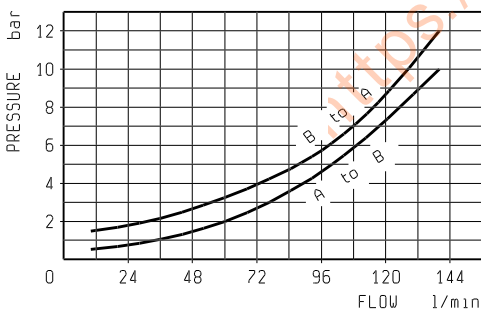
Rated Flow 150 l/min

- Cavity - Tooling (page 7.01.11) : 021-E
- Weight : 0.350 kg
- Fluids - Temperatures - Testing Conditions - Seals : see page 7.01.04
- Internal Leakage : see page 7.01.04
- Filtration : 25 µm nominal or better, see page 7.01.05
- Minimum Voltage Required : 90% of nominal
- Coils must be ordered separately, see page 1.71.05
- Mounting Position : unrestricted

ORDERING OPTIONS

Standard	Y = 17
Push Style Manual Override	Y = 18
Push and Twist Style Manual Override	Y = 19

PRESSURE DROP



RESPONSE TIME

